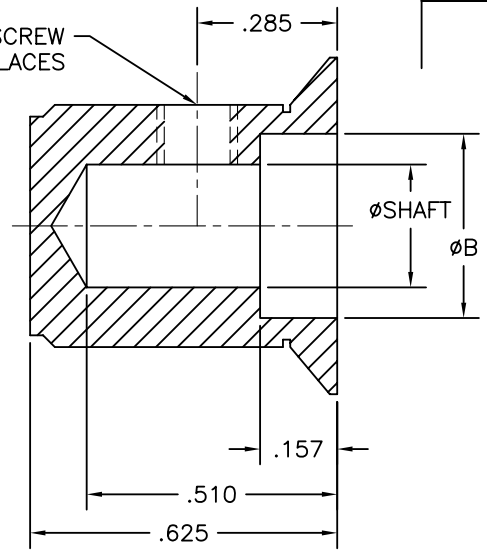
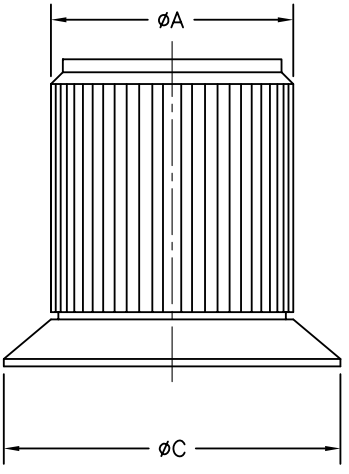


6-32 SET SCREW
2 PLACES



REVISIONS				
ZONE	REV	DESCRIPTION	DATE	APPROVED



MODEL	A	B	C	COLOR CHOICE	SHAFT
50	.500	.375	.685	1 - CLEAR GLOSS	5 - .250
63	.625	.500	.875	2 - BLACK GLOSS	6 - .125
75	.750	.590	1.000	3 - CLEAR MATTE	7 - 6MM
90	.925	.708	1.250	4 - BLACK MATTE	

UNLESS OTHERWISE SPECIFIED:
DIMENSIONS ARE IN INCHES
TOLERANCES
.X = ±.03
.XX = ±.01
.XXX = ±.005
ANGLES = ±.5°
BREAK ALL SHARP EDGES .010-.020
ALL SMALL FILLETS .020 - .040
ALL FINISHED SURFACES $125\sqrt{\text{ }}$
DO NOT SCALE DRAWING

KILO INTERNATIONAL PROPRIETARY
THIS DOCUMENT AND THE DATA
DISCLOSED HEREIN OR HEREWITH
IS NOT TO BE REPRODUCED,
USED OR DISCLOSED IN WHOLE
OR IN PART TO ANYONE WITHOUT
WRITTEN PERMISSION OF
KILO INTERNATIONAL
DRAWN
K FOWLER
DATE
03/05
APPROVED
C JOHNSON
03/05

KILO
INTERNATIONAL

1952 IRDINTON BOULEVARD
P.O. BOX 51005
PROVO, UTAH 84606 USA
WWW.KILOINTERNATIONAL.COM

SIZE B	FSCM NO.	DWG NO. SC-0002	REV A
SCALE: 4/1		TITLE SC CATALOG	SHEET 1 OF 1