



TAI-SAW TECHNOLOGY CO., LTD.

No. 3, Industrial 2nd Rd., Ping-Chen Industrial District,
Taoyuan, 324, Taiwan, R.O.C.

TEL: 886-3-4690038 FAX: 886-3-4697532

E-mail: tstsales@mail.taisaw.com Web: www.taisaw.com

Product Specifications Approval Sheet

Product Description: SAW Filter 291.4 MHz SMD 5.0x5.0 mm (BW=7 MHz)

TST Part No.: TA1467A

Customer Part No.: _____

Customer signature required
Company: _____
Division: _____
Approved by : _____
Date: _____

Checked by: _____ David Chang 張閱智

Approved by: _____ Francis Chen 

Date: _____ 2012/01/30

1. Customer signed back is required before TST can proceed with sample build and receive orders.
2. Orders received without customer signed back will be regarded as agreement on the specifications.
3. Any specifications changes must be approved upon by both parties and a new revision of specifications shall be released to reflect the changes.



TAI-SAW TECHNOLOGY CO., LTD.

No. 3, Industrial 2nd Rd., Ping-Chen Industrial District,
Taoyuan, 324, Taiwan, R.O.C.

TEL: 886-3-4690038 FAX: 886-3-4697532

E-mail: tstsales@mail.taisaw.com Web: www.taisaw.com

SAW Filter 291.4 MHz

MODEL NO.: TA1467A

REV. NO.:1

A. MAXIMUM RATING:

1. Input Power Level: 5 dB_m
2. DC voltage: 3 V
3. Operating Temperature: -10°C to +50°C
4. Storage Temperature: -40°C to +85°C

RoHS Compliant
Lead free
Lead-free soldering

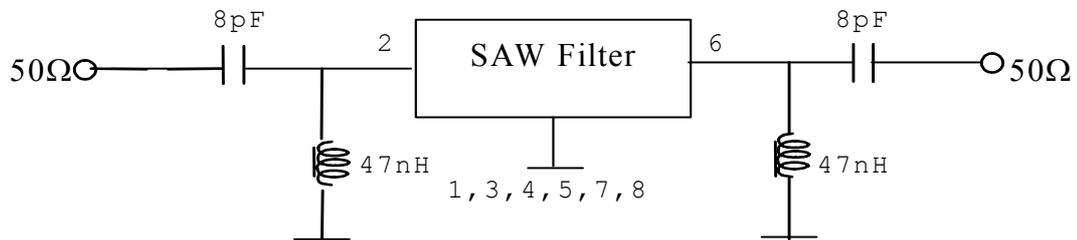
Electrostatic Sensitive Device (ESD)

B. ELECTRICAL CHARACTERISTICS:

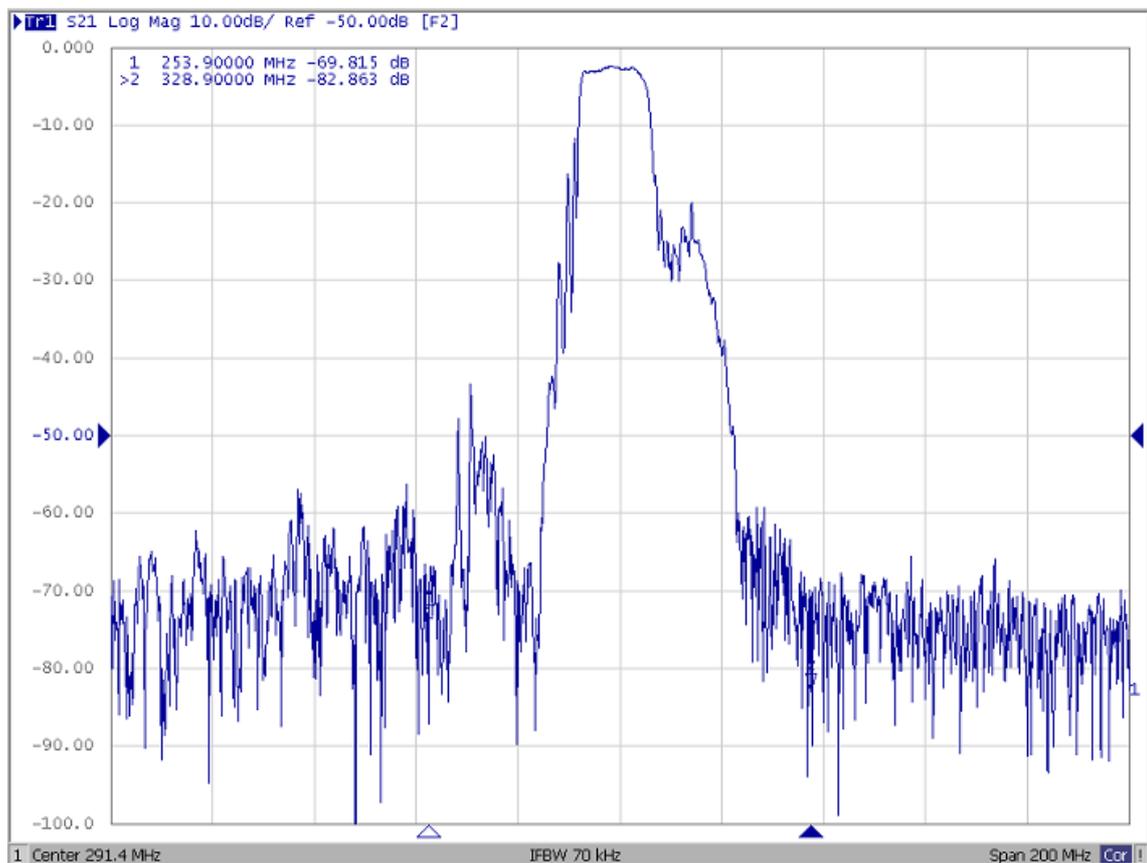
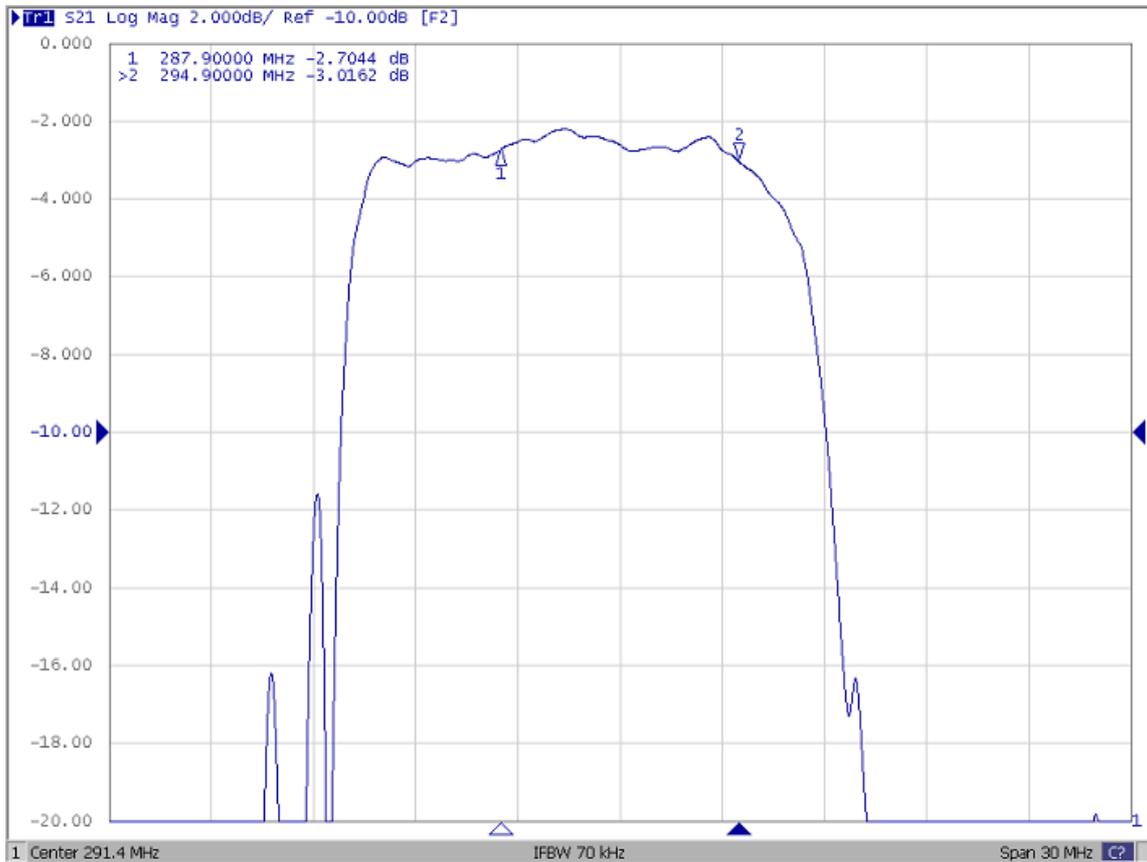
Item	Unit	Min.	Typ.	Max.
Center frequency	F _c MHz	-	291.4	-
Insertion Loss (F _c ±3.5 MHz)	IL dB	-	3	4.5
Amplitude Ripple (F _c ±3.5 MHz)	dB	-	0.85	2.0
Attenuation (Reference level from 0 dB)				
F _c -100 to -37.5 MHz	dB	40	55	-
F _c +37.5 to +100 MHz	dB	40	65	-

C. MEASUREMENT CIRCUIT:

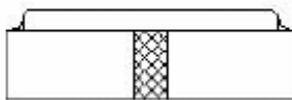
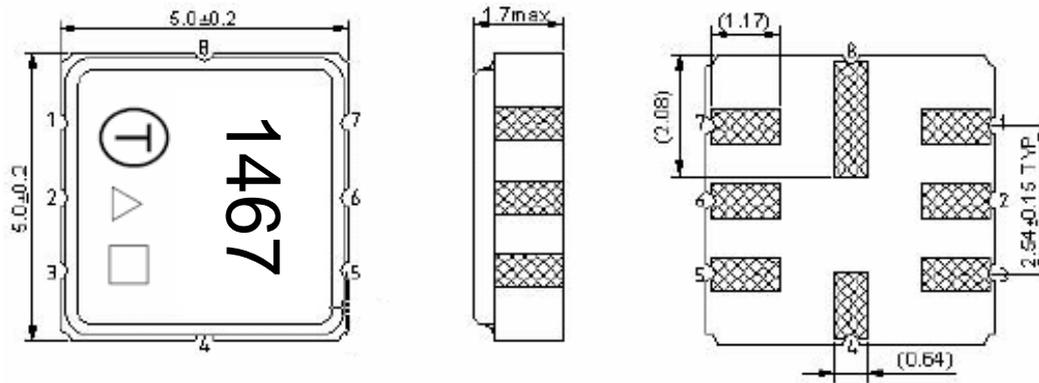
Network analyzer



D. Frequency Characteristics:



E. MEASUREMENT CIRCUIT:



#2: Input
 #6: Output
 #1,3,4,5,7,8: Ground
 Unit: mm

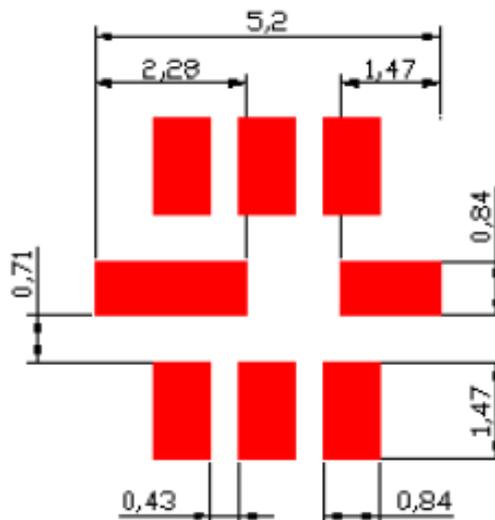
Data code : See the table

WK	01	02	...	26	27	28	...	52
Code	A	B	...	Z	a	b	...	z

Year code : See the table

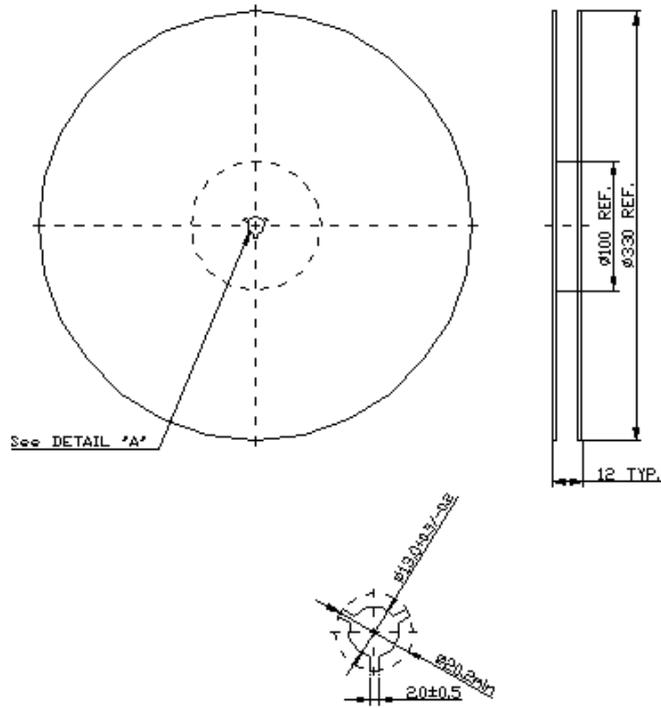
Year	2009	2010	2011	2012
	2013	2014	2015	2016
Code	A	a	<u>A</u>	<u>a</u>

F. OUTLINE DRAWING:



G. PACKING:

1. REEL DIMENSION



2. TAPE DIMENSION

