



### Features

- ◆ Switch mode power supplies for DIN-rail mount
- ◆ 6 power ranges with 2, 3, 6, 12, 20 and 24 A output current (24 VDC models)
- ◆ Selectable 115/230 VAC input
- ◆ Very low ripple and noise
- ◆ EMI complies with EN 61000-6-3 and EN 61000-6-4
- ◆ Operating temp. range  $-25^{\circ}\text{C}$  to  $+70^{\circ}\text{C}$
- ◆ For system operation available with built-in functions:
  - RED:** Redundancy module for N+1 Systems with true current sharing
  - SIG:** Signal module with AC-power-fail, power good signal and external On/Off control
  - UDS:** DC-UPS module for uninterruptible battery backed-up power systems
- ◆ Worldwide safety approvals incl. class I, div. 2 location
- ◆ Easy snap-on mount on DIN-rails or chassis mount
- ◆ 3-year product warranty



The switching power supplies of the TIS series have been particularly designed for applications in industrial process control systems and with machine tools. Excellent specifications and high immunity against electrical disturbances guarantee reliable power for sensitive loads in rugged industrial environments. With the help of optional function modules specific requirements for system applications can be easily realized with a standard model. With the UDS module the power supplies can be extended to a perfect DC-UPS with automatic battery- backup. This function is very often required in applications where a time delayed shutdown of a system is necessary. To monitor and control the power supply a signal module can be installed. For parallel operation with active power sharing a redundancy option is available. This flexibility makes the TIS series power supplies a cost effective solution for many industrial applications.

### Models

| Order Code<br>(includes terminal plugs)   | Input Voltage<br>nom.          | Output Power<br>max. | Output Voltage<br>nom.     | Output Current<br>max.    |
|---|--------------------------------|----------------------|----------------------------|---------------------------|
| TIS 50-112<br>TIS 50-124                  | 115–240 VAC<br>universal input | 50 W                 | 12 VDC<br>24 VDC           | 3.5 A<br>2.0 A            |
| TIS 75-112<br>TIS 75-124<br>TIS 75-148    | 115/230 VAC<br>selectable      | 75 W                 | 12 VDC<br>24 VDC<br>48 VDC | 6.0 A<br>3.0 A<br>1.5 A   |
| TIS 150-124<br>TIS 150-148                | 115/230 VAC<br>selectable      | 150 W                | 24 VDC<br>48 VDC           | 6.0 A<br>3.0 A            |
| TIS 300-124<br>TIS 300-148<br>TIS 300-172 | 115/230 VAC<br>selectable      | 300 W                | 24 VDC<br>48 VDC<br>72 VDC | 12.0 A<br>6.0 A<br>4.2 A  |
| TIS 500-124-115<br>TIS 500-124-230        | 115 VAC<br>230 VAC             | 500 W<br>500 W       | 24 VDC<br>24 VDC           | 20.0 A<br>20.0 A          |
| TIS 600-124<br>TIS 600-148<br>TIS 600-172 | 115/230 VAC<br>selectable      | 600 W                | 24 VDC<br>48 VDC<br>72 VDC | 24.0 A<br>12.0 A<br>8.5 A |

### Input Specifications

| Input voltage range  | TIS 50: 93 – 264 VAC<br>TIS 75, 150, 300, 600: 93 – 132 VAC / 187 – 264 VAC<br>TIS 500-124-230: 187 – 264 VAC<br>TIS 500-124-115: 93 – 132 VAC  |            |            |            |         |        |        |         |       |        |          |       |       |          |       |       |          |       |       |          |       |       |
|--|---|------------|------------|------------|---------|--------|--------|---------|-------|--------|----------|-------|-------|----------|-------|-------|----------|-------|-------|----------|-------|-------|
| Input frequency  | 47 – 63 Hz  |            |            |            |         |        |        |         |       |        |          |       |       |          |       |       |          |       |       |          |       |       |
| Input current at full load (typ.)                                    | <table border="1"> <thead> <tr> <th></th> <th>at 115 VAC</th> <th>at 230 VAC</th> </tr> </thead> <tbody> <tr> <td>TIS 50:</td> <td>0.85 A</td> <td>0.50 A</td> </tr> <tr> <td>TIS 75:</td> <td>1.3 A</td> <td>0.75 A</td> </tr> <tr> <td>TIS 150:</td> <td>2.7 A</td> <td>1.6 A</td> </tr> <tr> <td>TIS 300:</td> <td>4.9 A</td> <td>2.9 A</td> </tr> <tr> <td>TIS 500:</td> <td>6.0 A</td> <td>4.3 A</td> </tr> <tr> <td>TIS 600:</td> <td>7.0 A</td> <td>5.0 A</td> </tr> </tbody> </table> |            | at 115 VAC | at 230 VAC | TIS 50: | 0.85 A | 0.50 A | TIS 75: | 1.3 A | 0.75 A | TIS 150: | 2.7 A | 1.6 A | TIS 300: | 4.9 A | 2.9 A | TIS 500: | 6.0 A | 4.3 A | TIS 600: | 7.0 A | 5.0 A |
|  | at 115 VAC  | at 230 VAC |            |            |         |        |        |         |       |        |          |       |       |          |       |       |          |       |       |          |       |       |
| TIS 50:  | 0.85 A  | 0.50 A     |            |            |         |        |        |         |       |        |          |       |       |          |       |       |          |       |       |          |       |       |
| TIS 75:  | 1.3 A   | 0.75 A     |            |            |         |        |        |         |       |        |          |       |       |          |       |       |          |       |       |          |       |       |
| TIS 150:   | 2.7 A   | 1.6 A      |            |            |         |        |        |         |       |        |          |       |       |          |       |       |          |       |       |          |       |       |
| TIS 300:   | 4.9 A   | 2.9 A      |            |            |         |        |        |         |       |        |          |       |       |          |       |       |          |       |       |          |       |       |
| TIS 500:   | 6.0 A   | 4.3 A      |            |            |         |        |        |         |       |        |          |       |       |          |       |       |          |       |       |          |       |       |
| TIS 600:   | 7.0 A   | 5.0 A      |            |            |         |        |        |         |       |        |          |       |       |          |       |       |          |       |       |          |       |       |
| Recommended circuit breaker, characteristic C or fuse, slow blow typ | TIS 50: 5.0 A<br>TIS 75: 5.0 A<br>TIS 150: 10.0 A<br>TIS 300: 15.0 A<br>TIS 500: 15.0 A<br>TIS 600: 20.0 A  |            |            |            |         |        |        |         |       |        |          |       |       |          |       |       |          |       |       |          |       |       |

### Output Specifications

| Output voltage adj. range                 | 12 VDC models: 12 – 14 VDC<br>24 VDC models: 24 – 28 VDC<br>48 VDC models: 48 – 52 VDC<br>72 VDC models: 60 – 76 VDC   |                   |         |                           |   |            |            |          |            |            |          |            |            |
|---|--|-------------------|---------|---------------------------|---|------------|------------|----------|------------|------------|----------|------------|------------|
| Regulation                                | <table border="1"> <tbody> <tr> <td>– Input variation</td> <td>0.2 %</td> </tr> <tr> <td>– Load variation (10–90%)</td> <td>TIS 50, TIS 75, TIS 150: 1.0 %<br/>TIS 300, TIS 500, TIS 600: 0.3 %<br/>(2.0 % in parallel operation)</td> </tr> </tbody> </table>   | – Input variation | 0.2 %   | – Load variation (10–90%) | TIS 50, TIS 75, TIS 150: 1.0 %<br>TIS 300, TIS 500, TIS 600: 0.3 %<br>(2.0 % in parallel operation) |            |            |          |            |            |          |            |            |
| – Input variation                         | 0.2 %  |                   |         |                           |   |            |            |          |            |            |          |            |            |
| – Load variation (10–90%)                 | TIS 50, TIS 75, TIS 150: 1.0 %<br>TIS 300, TIS 500, TIS 600: 0.3 %<br>(2.0 % in parallel operation)  |                   |         |                           |   |            |            |          |            |            |          |            |            |
| Ripple and noise (20MHz bandwidth)        | <50 mV pk-pk   |                   |         |                           |   |            |            |          |            |            |          |            |            |
| Electronic short circuit protection       | current limitation at 110 % typ.<br>(constant current, automatic restart)  |                   |         |                           |   |            |            |          |            |            |          |            |            |
| Over voltage protection, trigger point at | 140 % typ. Vout nom.   |                   |         |                           |   |            |            |          |            |            |          |            |            |
| Hold-up time                              | <table border="1"> <thead> <tr> <th></th> <th>115 VAC</th> <th>230 VAC</th> </tr> </thead> <tbody> <tr> <td>TIS 50 ... TIS 300:</td> <td>min. 25 ms</td> <td>min. 30 ms</td> </tr> <tr> <td>TIS 500:</td> <td>min. 20 ms</td> <td>min. 40 ms</td> </tr> <tr> <td>TIS 600:</td> <td>min. 15 ms</td> <td>min. 25 ms</td> </tr> </tbody> </table> |                   | 115 VAC | 230 VAC                   | TIS 50 ... TIS 300:   | min. 25 ms | min. 30 ms | TIS 500: | min. 20 ms | min. 40 ms | TIS 600: | min. 15 ms | min. 25 ms |
|   | 115 VAC  | 230 VAC           |         |                           |   |            |            |          |            |            |          |            |            |
| TIS 50 ... TIS 300:                       | min. 25 ms   | min. 30 ms        |         |                           |   |            |            |          |            |            |          |            |            |
| TIS 500:                                  | min. 20 ms   | min. 40 ms        |         |                           |   |            |            |          |            |            |          |            |            |
| TIS 600:                                  | min. 15 ms   | min. 25 ms        |         |                           |   |            |            |          |            |            |          |            |            |

## General Specifications

|  |  |  |
|--|--|--|
| Temperature ranges   | <ul style="list-style-type: none"> <li>– Operating (ambient temp.)</li> <li>– Derating above 50°C (122°F)</li> <li>– Storage (non operating)</li> </ul>  | –25°C to +70°C<br>2 %/K<br>–25°C to +85°C  |
| Humidity (non condensing)  |  | 95 % rel. H max.   |
| Pollution degree   |  | 2  |
| Temperature coefficient  |  | 0.02 %/K   |
| Switching frequency  |  | 80 kHz typ. (pulse width modulation)   |
| Efficiency   | TIS 50 ... TIS 300:<br>TIS 500:<br>TIS 600:  | 85 % typ.<br>90 % typ.<br>90 % typ.  |
| Isolation  |  | according to IEC/EN 60950, UL 60950, UL 508  |
| Reliability, calculated MTBF<br>(MIL-HDBK-217F, at +25°C, ground benign) | TIS 50/75:<br>TIS 150/300:<br>TIS 500/600:   | 450'000 h / 420'000 h<br>420'000 h / 360'000 h<br>340'000 h / 300'000 h  |
| Safety standards   |  | IEC/EN 60950-1 (SELV, except 72 VDC models)<br>UL/cUL 60950-1, UL 508, UL/cUL 1604   |
| Safety approvals   | <ul style="list-style-type: none"> <li>– CB report</li> <li>– UL approvals</li> <li>– CSA certificate (UL 60950-1, CSA 60950-1)</li> </ul>   | for IEC 60950<br><a href="http://www.tracopower.com/products/tis-cb.pdf">www.tracopower.com/products/tis-cb.pdf</a><br>UL/cUL 60950, File e181381<br>UL/cUL 508, File e210002<br>UL/cUL 1604, File e213613 not for TIS 50 & 500<br>(Class I, Div. 2, Groups A, B, C and D hazardous locations)<br><a href="http://www.ul.com">www.ul.com</a> -> certifications<br><a href="http://www.tracopower.com/products/tis-csa.pdf">www.tracopower.com/products/tis-csa.pdf</a> |
| Electromagnetic compatibility (EMC), Emissions                           | <ul style="list-style-type: none"> <li>– Conducted RI suppression on input</li> <li>– Radiated RI suppression</li> </ul>   | EN 61000-6-3 / EN 61000-6-4<br>EN 55011 class B, EN 55022 class B,<br>FCC part 15, level B<br>EN 55011 class A, EN 55022 class A,<br>FCC part 15, level A  |
| Electromagnetic compatibility (EMC), Immunity                            | <ul style="list-style-type: none"> <li>– Electrostatic discharge (ESD)</li> <li>– Radiated RF field immunity</li> <li>– Electrical fast transient / burst immunity</li> <li>– Surge immunity</li> <li>– Immunity to conducted RF disturbances</li> <li>– Power frequency field immunity</li> </ul> | EN 61000-6-2<br>IEC/EN 61000-4-2 4 kV/8 kV<br>IEC/EN 61000-4-3 10 V/m<br>IEC/EN 61000-4-4 2 kV<br>IEC/EN 61000-4-5 2 kV/4 kV<br>IEC/EN 61000-4-6 10 V<br>IEC/EN 61000-4-8 30 A/m   |
| Safety class   |  | degree of electrical protection 1 (IEC 536)  |
| Case protection  |  | IP 20 (IEC 529)  |
| Environment  | <ul style="list-style-type: none"> <li>– Vibration</li> <li>– Shock</li> </ul>   | IEC 60068-2-6; 1 gn, 200 sweeps, each axis<br>IEC 60068-2-27; 15 gn, 11 ms, each axis  |
| Enclosure material   |  | aluminium (chassis) / zinc plated steel (cover)  |
| Mounting (snap-on with self locking spring)                              |  | for 35 mm DIN-rails as per EN 50022  |
| Connection   |  | detachable screw terminal block<br>(plugs included)<br>(TIS 600: fixed screw terminal block)   |

Instruction manual can be downloaded under:  
[www.tracopower.com/products/tis-manual.pdf](http://www.tracopower.com/products/tis-manual.pdf)

All specifications valid at nominal input voltage, full load and +25 °C after warm-up time unless otherwise stated.

**Power Supplies with Redundancy Function**

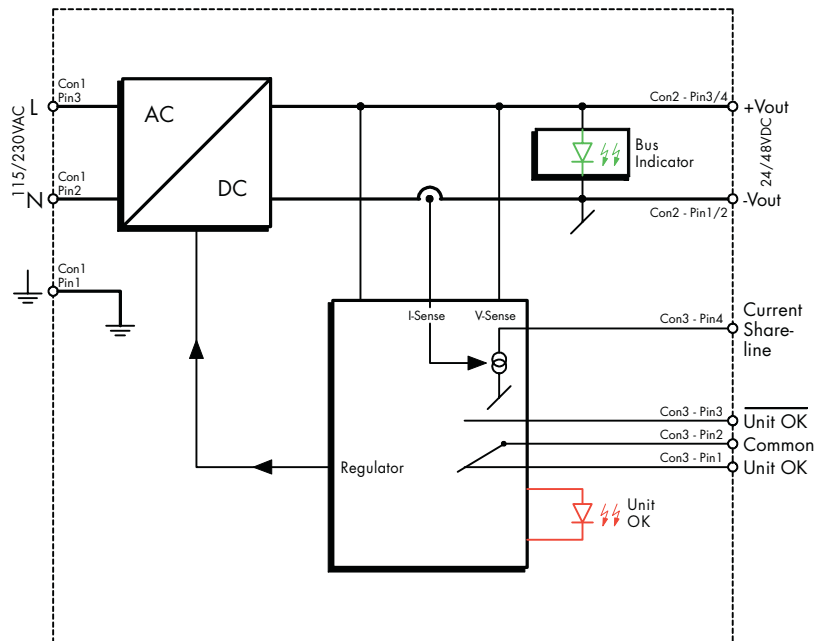
With this option a parallel operation of up to 5 units is possible. Decoupling diodes and current share lines allow to build true N +1 redundant systems with active current sharing for all units. This function also includes an alarm relay to signal a single unit failure.

This option is available for TIS 150 W, TIS 300 W and TIS 600 W models.

Please note: This option cannot be combined with other options.

**Models**

| Order Code<br>(includes terminal plugs) | Input Voltage | Output Power<br>max. | Output Voltage<br>nom. | Output Current<br>max. |
|---|---------------|----------------------|------------------------|------------------------|
| TIS 150-124 RED                         | 115/230 VAC   | 150 W                | 24 VDC                 | 6.0 A                  |
| TIS 150-148 RED                         | selectable    |                      | 48 VDC                 | 3.0 A                  |
| TIS 300-124 RED                         | 115/230 VAC   | 300 W                | 24 VDC                 | 12 A                   |
| TIS 300-148 RED                         | selectable    |                      | 48 VDC                 | 6.0 A                  |
| TIS 600-124 RED                         | 115/230 VAC   | 600 W                | 24 VDC                 | 24 A                   |
| TIS 600-148 RED                         | selectable    |                      | 48 VDC                 | 12 A                   |



**Specifications**

Rating per relay contact 60 VDC /0.36 A max.

Instruction manual for RED option can be downloaded under:  
[http://www.tracopower.com/products/tis-red\\_manual.pdf](http://www.tracopower.com/products/tis-red_manual.pdf)

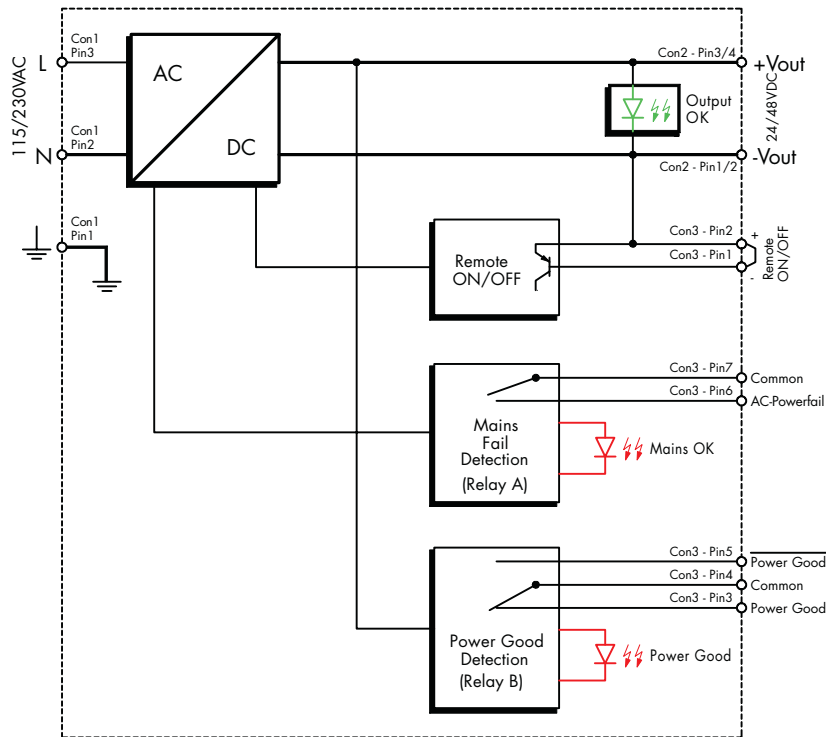
**Power Supplies with Powerfail Functions**

These models provide 3 functions required in many process control system applications:

- ◆ AC-Powerfail signal (relay contact)
- ◆ Power Good signal (relay contact)
- ◆ Remote On/Off

**Models**

| Order Code<br>(includes terminal plugs) | Input Voltage | Output Power<br>max. | Output Voltage<br>nom. | Output Current<br>max. |
|---|---------------|----------------------|------------------------|------------------------|
| TIS 150-124 SIG                         | 115/230 VAC   | 150 W                | 24 VDC                 | 6.0 A                  |
| TIS 150-148 SIG                         | selectable    |                      | 48 VDC                 | 3.0 A                  |
| TIS 300-124 SIG                         | 115/230 VAC   | 300 W                | 24 VDC                 | 12 A                   |
| TIS 300-148 SIG                         | selectable    |                      | 48 VDC                 | 6.0 A                  |
| TIS 600-124 SIG                         | 115/230 VAC   | 600 W                | 24 VDC                 | 24 A                   |
| TIS 600-148 SIG                         | selectable    |                      | 48 VDC                 | 12 A                   |



**Specifications**

|                                 |  |
|---------------------------------|--|
| Power Good signal trigger point | models with 24 Vout: >22.8 VDC ±0.5 V relay B closed (pin 4 – pin 3)<br>models with 48 Vout: >45.6 VDC ±1.0 V relay B closed (pin 4 – pin 3) |
| AC-Powerfail signal             | Vin <93 resp. <187 VAC relay A closed (pin 7 – pin 6)  |
| Rating per relay contact        | 60 VDC /0.36 A max.  |
| Remote On/Off                   | – On<br>– Off<br>short circuit con 3 pin 1 and pin 2<br>open circuit con 3 pin 1 and pin 2   |

Instruction manual for SIG option can be downloaded under:  
[http://www.tracopower.com/products/tis-sig\\_manual.pdf](http://www.tracopower.com/products/tis-sig_manual.pdf)

**DC-UPS-System**



In addition to the standard power supply function, these models include a professional battery management system to charge and monitor an external battery. In the event of a power failure the battery is switched automatically and without any interruption to the DC output. Once mains power is available again, the battery is switched off. The backup time is limited only by battery capacity and load. Charge current and voltage can be adjusted to values as required by battery type. Power fail and low battery alarm signals

are available via two independent relay contacts. During normal operation the battery status is monitored by periodically loading the battery for a short time. If a cell resistance is high, there is a relay alarm is available. The battery is fully protected under any operational conditions. The power supply is short circuit protected even in battery backup operation but, for safety reasons, the battery should be fitted with a fast blow fuse. Battery mode can be activated by interconnecting pin 7 and 8.

Complete external battery packs (3.2 Ah or 7 Ah standard) with lead batteries and circuit breaker are available (see page 8).

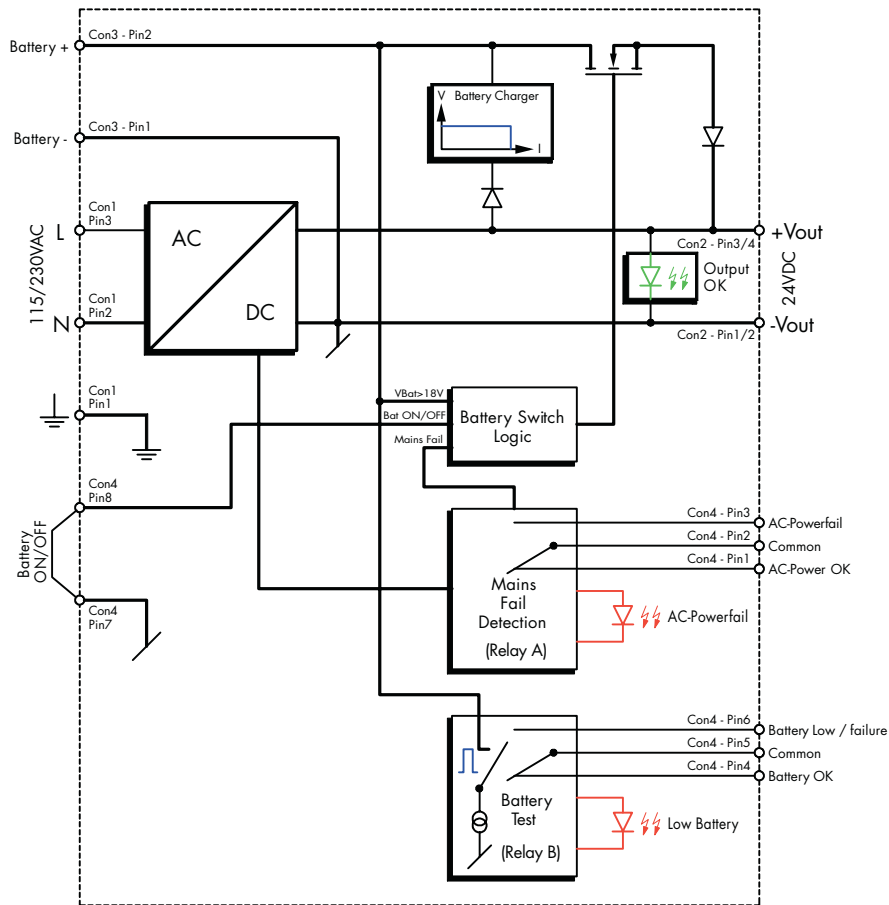
**Models**

| Order Code <sup>1)</sup> | Input Voltage             | Output Power<br>max. | Output Voltage<br>nom. | Output Current <sup>2)</sup><br>max. |
|--------------------------|---------------------------|----------------------|------------------------|--------------------------------------|
| <b>TIS 300-124 UDS</b>   | 115/230 VAC<br>selectable | 300 W                | <b>24 VDC</b>          | <b>12 A</b>                          |
| <b>TIS 600-124 UDS</b>   | 115/230 VAC<br>selectable | 600 W                | <b>24 VDC</b>          | <b>24 A</b>                          |

1) Includes terminal plugs, does not include batteries

2) reduce max. output current by battery charging current

**DC-UPS-System**



**Specifications**

|  |  |
|--|--|
| Charging current (factory set)   | TIS 300-124 UDS: 1.2 A<br>TIS 600-124 UDS: 2.4 A   |
| Adjustment range of charging current   | TIS 300-124 UDS: 0.15 – 1.5 A<br>TIS 600-124 UDS: 0.25 – 2.5 A   |
| Holding current for charged battery at voltage 27.3 VDC                                  | <50 mA   |
| Overload or short circuit during battery operation                                       | system switches off  |
| AC-Powerfail signal  | Vin <93 or <187 VAC relay A closed (pin 2 – pin 3)   |
| Low battery signal   | – Battery voltage below 22 V<br>– Raiting per relay contact<br>relay B closed (pin 5 – pin 6)<br>60 VDC /0.36 A max. |
| During battery charge operation output current reduction by 1.4 x battery charge current |  |

Instruction manual for UDS option can be downloaded under:  
[http://www.tracopower.com/products/tis-uds\\_manual.pdf](http://www.tracopower.com/products/tis-uds_manual.pdf)

### Battery-Pack for DC-UPS Systems

The battery pack contains high quality, maintenance free lead-acid batteries with 3.2 Ah or 7.0 Ah capacity. The batteries are fixed together with a re-settable electronic fuse on a solid mounting frame. Together with power supply models TIS 300-124 UDS or TIS 600-124 UDS the battery pack provides a complete and reliable DC-UPS system.

Backup time depends on load current and battery capacity.

### Models

| Order Code  | Battery Voltage | Battery Capacity<br>(25 °C, 20 h-rate) | Permissible Charge<br>Current max. |
|-------------|-----------------|--|------------------------------------|
| TIS 24-32AP | 24 VDC          | 3.2 Ah                                 | 1.2 A                              |
| TIS 24-70AP | 24 VDC          | 7.0 Ah                                 | 2.4 A                              |

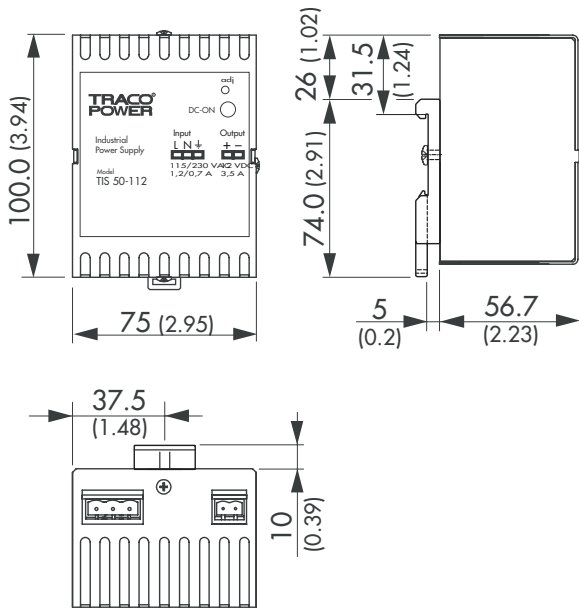
### Specifications

|   |   |  |
|---|---|--|
| Max. charge voltage                               | 27 – 27.6 VDC   |  |
| Temperature coefficient                           | –36 mV/°C   |  |
| Temperature range                                 | – at charge operation<br>– at load operation<br>– Storage | –15°C to +50°C<br>–20°C to +60°C<br>–20°C to +60°C           |
| Average lifetime on standby operation at tA =20°C | 4 – 5 years (Limited Warranty on Battery)                 |  |
| Cable length                                      | 1.0 m   |  |
| Cable diameter                                    | TIS 24-32 AP:<br>TIS 24-70 AP:                            | 2.5 mm <sup>2</sup> (AWG 12)<br>4.0 mm <sup>2</sup> (AWG 11) |
| Weight  | TIS 24-32 AP:<br>TIS 24-70 AP:                            | 2.9 kg (6.4 lb)<br>4.1 kg (9.1 lb)                           |
| Recommended combinations<br>(power supplies)      | TIS 24-32 AP:<br>TIS 24-70 AP:                            | TIS 300-124 UDS<br>TIS 600-124 UDS                           |



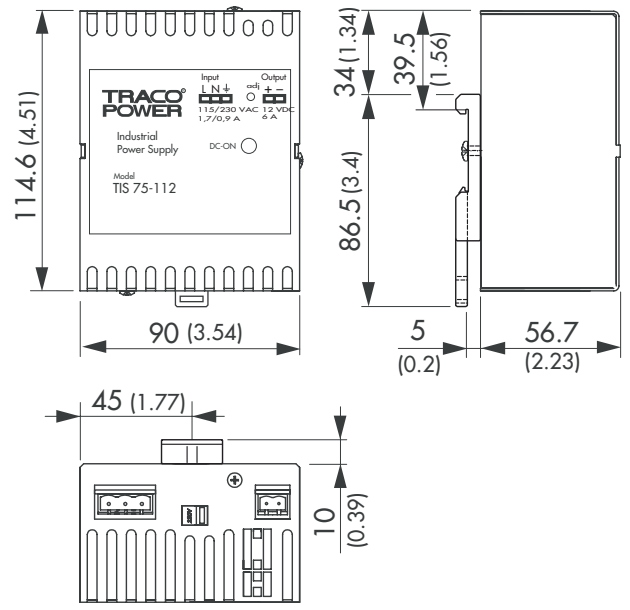
**Case Dimensions**

**TIS 50 models**



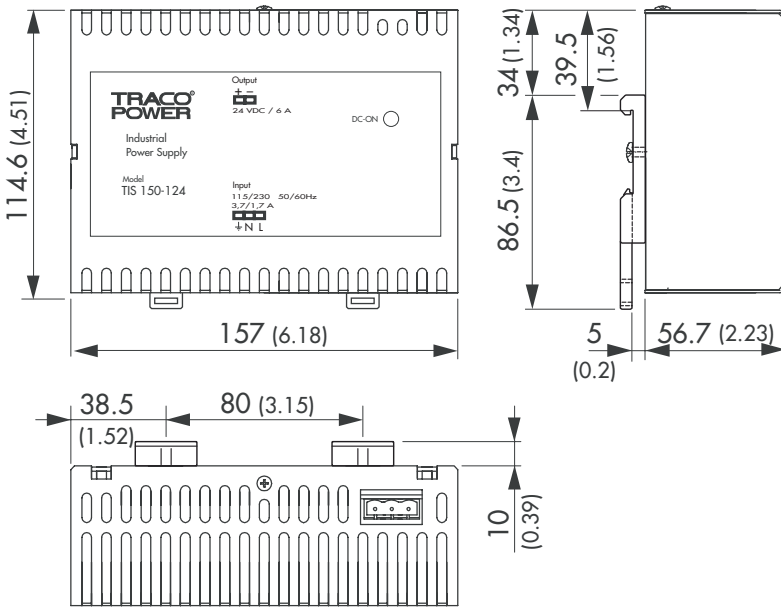
**Weight:** 0.41 kg (0.9 lb)

**TIS 75 models**



**Weight:** 0.48 kg (1.06 lb)

**TIS 150 models**



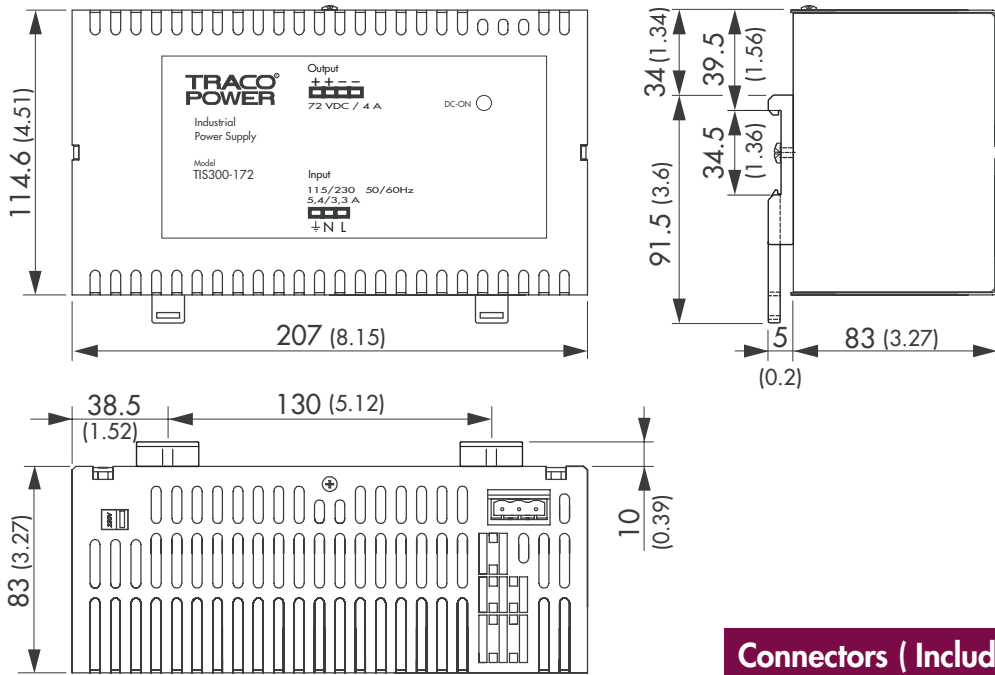
**Weight:** 0.80 kg (1.76 lb)

| <b>Connectors ( Included in shipment)</b> |                                   |
|---|-----------------------------------|
| TIS PLUG-1                                | Connector Set for TIS 50/ 75/ 150 |
| TIS PLUG-1-RED                            | Connector Set for TIS 150-1xx RED |

Dimensions in [mm], ( ) = Inch  
Tolerances: ±0.5 (±0.02)

**Case Dimensions**

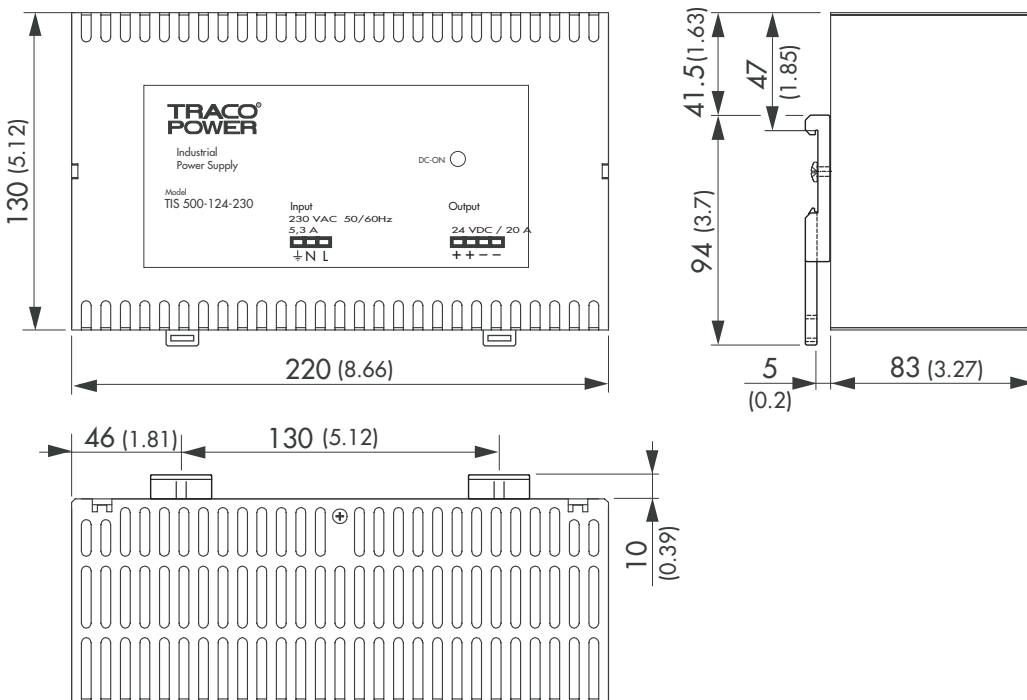
**TIS 300 models**



**Weight:** 1.4 kg (3.09 lb)

| Connectors ( Included in shipment) |                                   |
|------------------------------------|-----------------------------------|
| TIS PLUG-3                         | Connector Set for TIS 300         |
| TIS PLUG-3-RED                     | Connector Set for TIS 300-1xx RED |
| TIS PLUG-3-UDS                     | Connector Set for TIS 300-1xx UDS |
| TIS PLUG-5                         | Connector Set for TIS 500         |

**TIS 500 models**

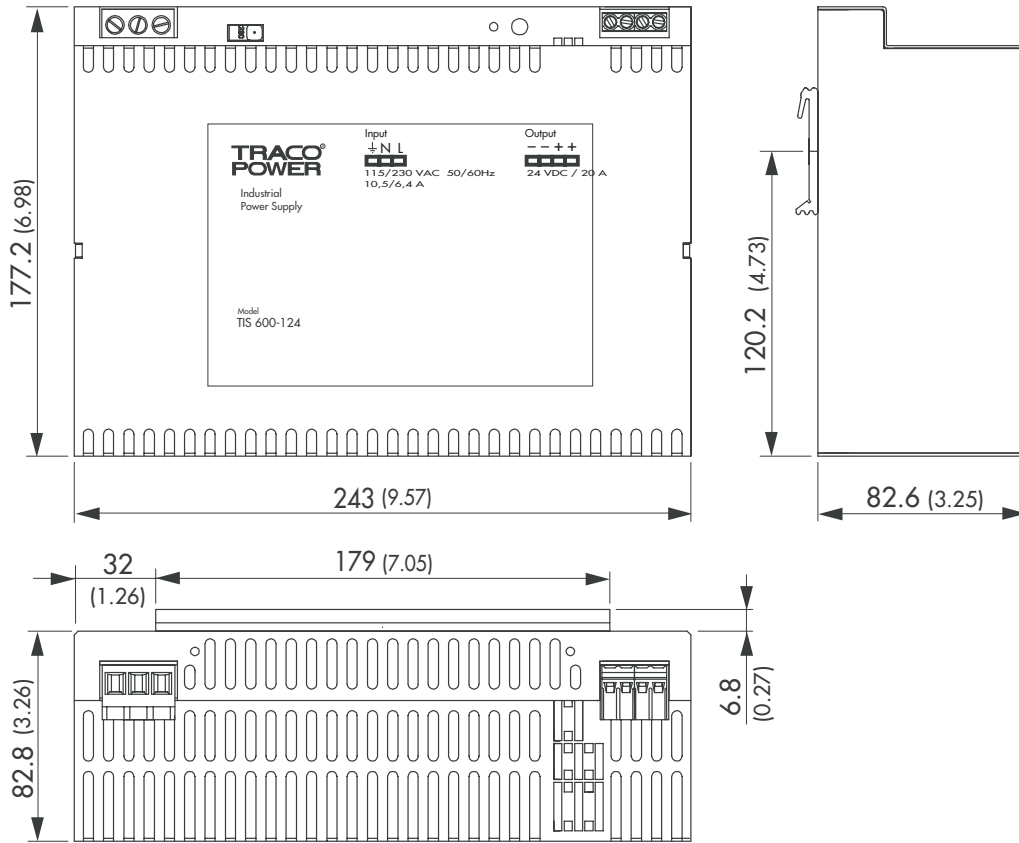


**Weight:** 1.9 kg (4.19 lb)

Dimensions in [mm], ( ) = Inch  
Tolerances: ±0.5 (±0.02)

**Outline Dimensions mm (inches)**

**TIS 600 models**



**Weight:** 2.0 kg (4.41 lb)

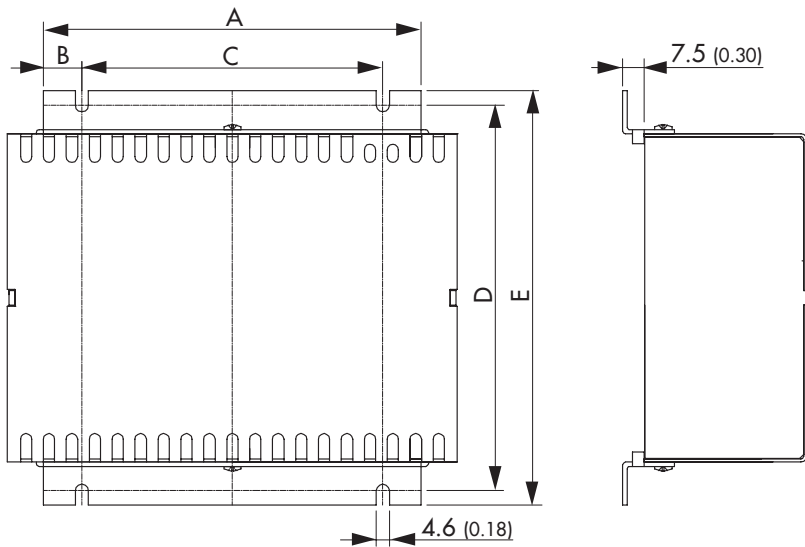
**Connectors ( Included in shipment)**

|                |                                   |
|----------------|-----------------------------------|
| TIS PLUG-6-RED | Connector Set for TIS 600-1xx RED |
| TIS PLUG-6-UDS | Connector Set for TIS 600-1xx UDS |

Dimensions in [mm], ( ) = Inch  
Tolerances:  $\pm 0.5$  ( $\pm 0.02$ )

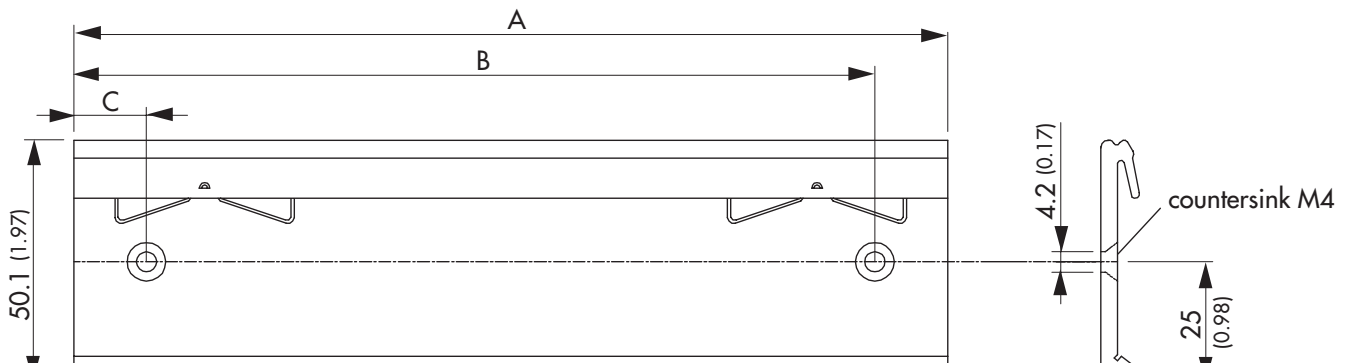
**Optional Mounting Systems**

**Wall mounting kit**



| Models  | Order code    | A          | B           | C          | D            | E            |
|---------|---------------|------------|-------------|------------|--------------|--------------|
| TIS 75  | <b>MK-75</b>  | 37 (1.46)  | 14.5 (0.57) | –          | 134.5 (5.30) | 150.5 (5.93) |
| TIS 150 | <b>MK-150</b> | 132 (5.20) | 13.5 (0.53) | 105 (4.13) | 134.5 (5.30) | 150.5 (5.93) |
| TIS 300 | <b>MK-300</b> | 132 (5.20) | 13.5 (0.53) | 105 (4.13) | 134.5 (5.30) | 150.5 (5.93) |
| TIS 500 | <b>MK-500</b> | 132 (5.20) | 13.5 (0.53) | 105 (4.13) | 134.5 (5.30) | 150.5 (5.93) |
| TIS 600 | <b>MK-600</b> | 190 (7.48) | 37.5 (1.48) | 115 (4.53) | 197.0 (7.76) | 207.0 (8.15) |

**Rugged DIN-Rail mounting kit**

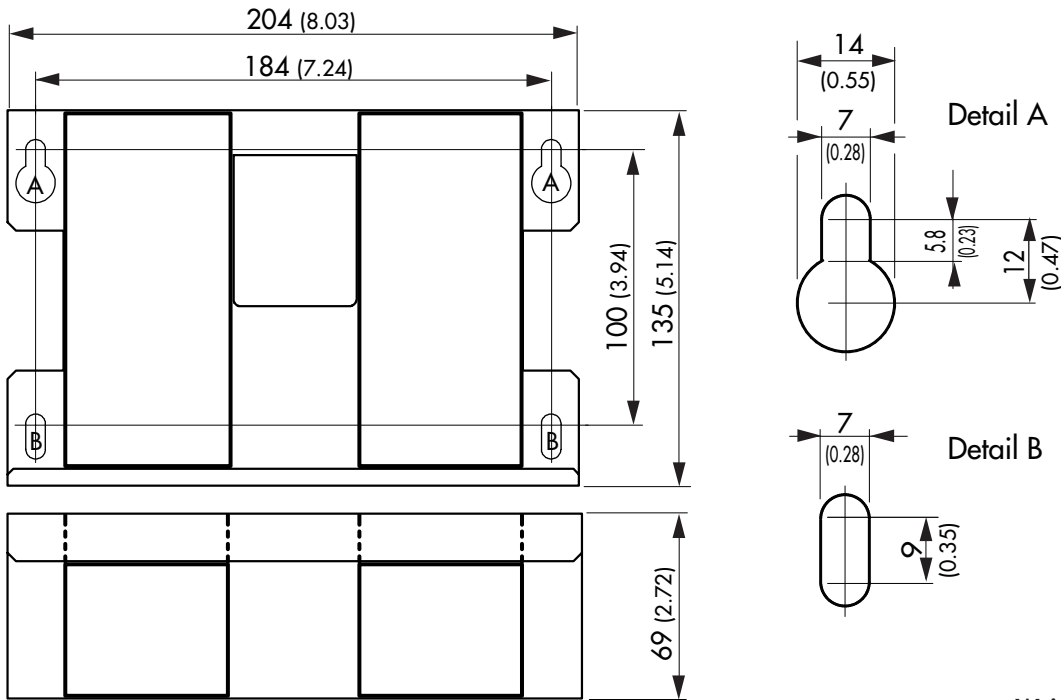


| Models  | Order code      | A          | B          | C         |
|---------|-----------------|------------|------------|-----------|
| TIS 150 | <b>RMK-150</b>  | 150 (5.91) | 115 (4.53) | 35 (1.38) |
| TIS 300 | <b>RMK-300</b>  | 200 (7.87) | 165 (6.50) | 35 (1.38) |
| TIS 500 | <b>RMK-300</b>  | 200 (7.87) | 165 (6.50) | 35 (1.38) |
| TIS 600 | <b>standard</b> | 180 (7.09) | 165 (6.50) | 15 (0.59) |

Dimensions in [mm], ( ) = Inch  
Tolerances: ±0.5 (±0.02)

**Outline Dimensions mm (inches)**

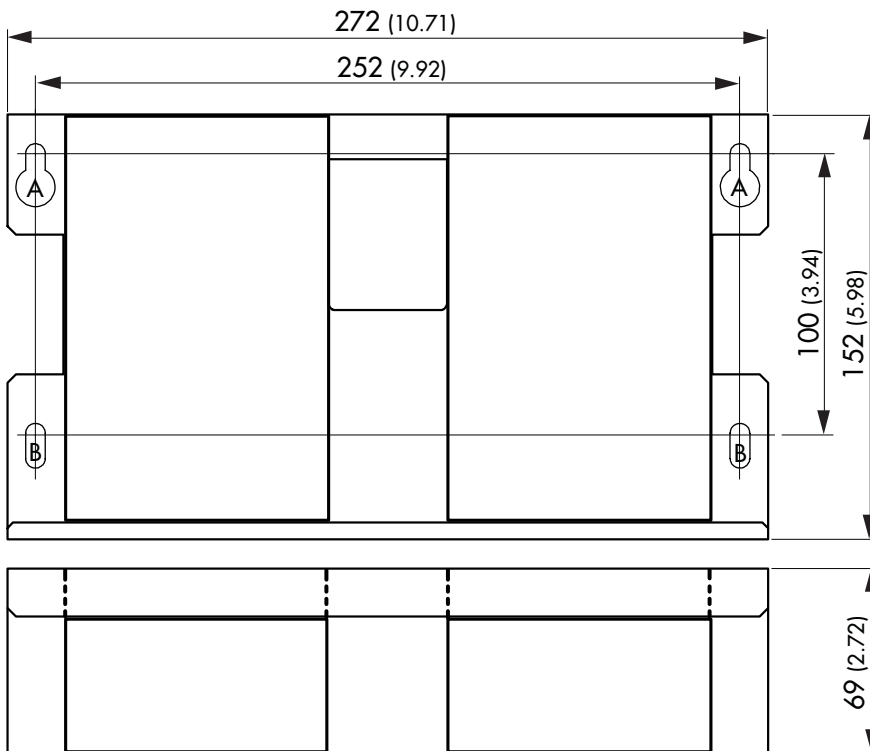
TIS 24-32AP



**Weight (incl. batteries):**

|             |                 |
|-------------|-----------------|
| TIS 24-32AP | 2.9 kg (6.4 lb) |
| TIS 24-70AP | 4.1 kg (9.1 lb) |

TIS 24-70AP



Dimensions in [mm], ( ) = Inch  
Tolerances: ±0.5 (±0.02)

Specifications can be changed without notice! Make sure you are using the latest documentation, downloadable at [www.tracopower.com](http://www.tracopower.com)