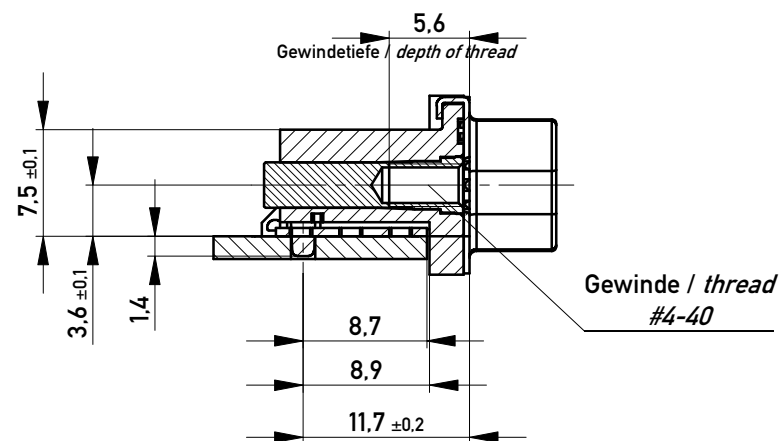


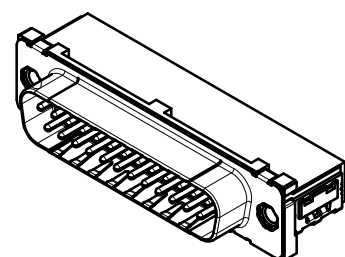
Mutter / nut



Anschlussbereich verzinkt  
terminal area tin plating

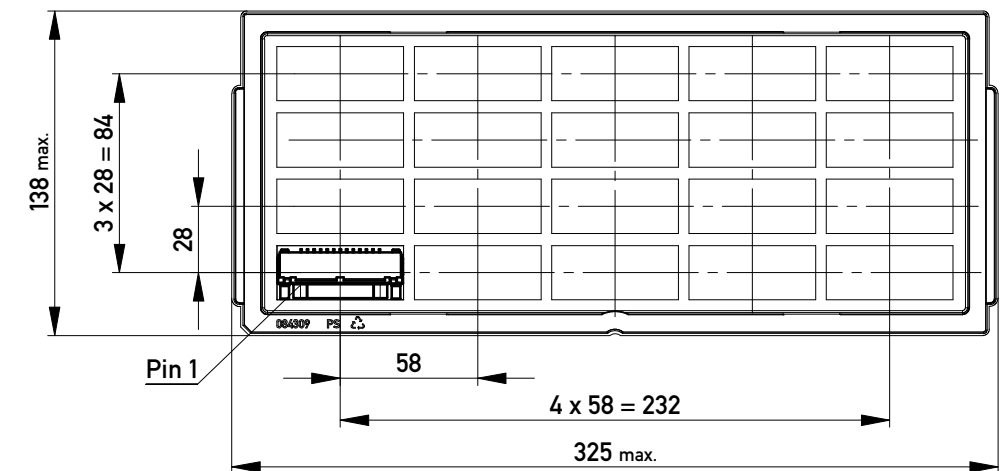
Koplanarität der Anschlüsse ≤ 0,1 mm  
coplanarity area of termination ≤ 0,1 mm

Anforderungsstufe: 2  
class: 2



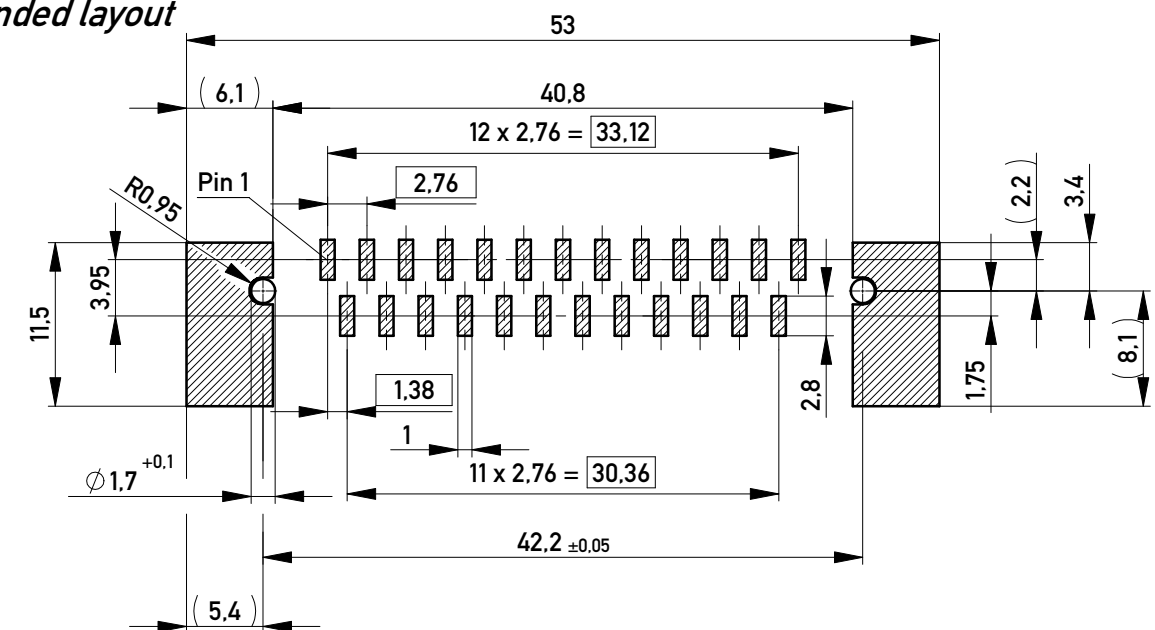
Verpackt in Tray  
Verpackungseinheit 20 Stück

tray packaging  
packaging unit 20 pcs




Sonstige Angaben siehe Zeichnung 204630 / additional indications according to drawing 204630

Layoutvorschlag  
recommended layout



Fehlende Masse und Angaben siehe DIN 41652 / Missing information and dimensions according to DIN 41652  
Sonstige Angaben siehe Fertigungsunterlagen / Additional indications according to production documentation

Information:  All rights reserved. Only for Information. To ensure that this is the latest version of this drawing, please contact one of the ERNI companies before using.	Tolerances  All Dimensions in mm	Scale 2:1	Designation <b>TMC-P-25-SMD-Euro-BA8</b> <b>TMC-P-25-SMD-Euro-BA8</b>
		 www.ERNI.com <b>100101740001</b>	
d	16.02.2012	Class TMCP	K
Index	Date		A3

Copyright by ERNI GmbH  
Proprietary notice pursuant to ISO 16016 to be observed.