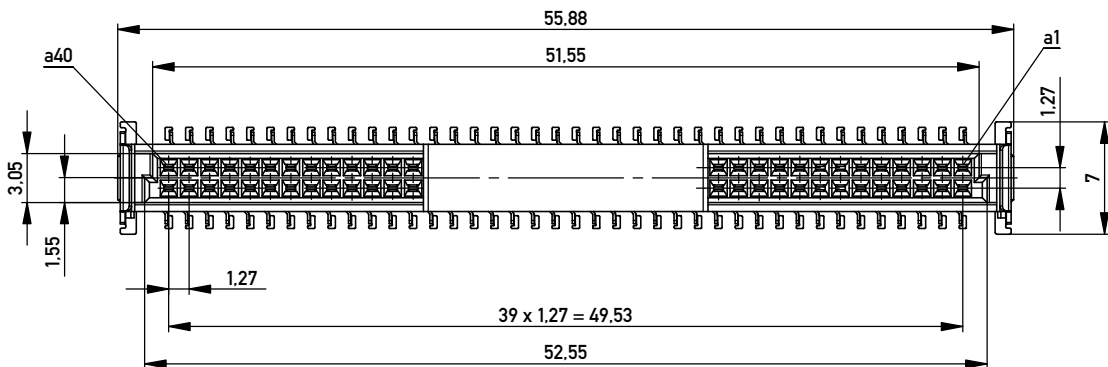
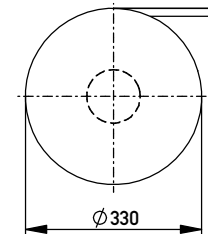
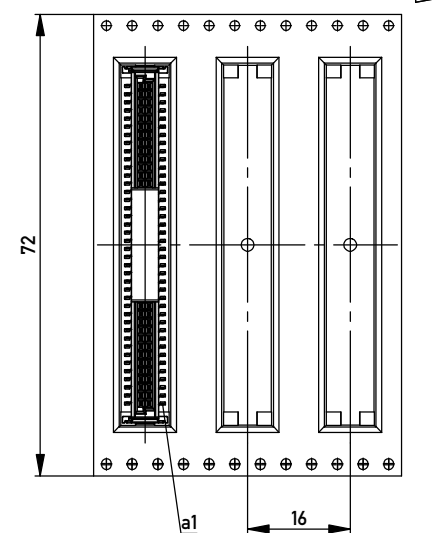


Verpackt im Gurt nach DIN IEC 60286-3
 Tape on Reel Packaging according to DIN IEC 60286-3
 Verpackungseinheit: 280 Stück
 Packaging unit: 280 pcs



Abspulrichtung - Reel off Direction



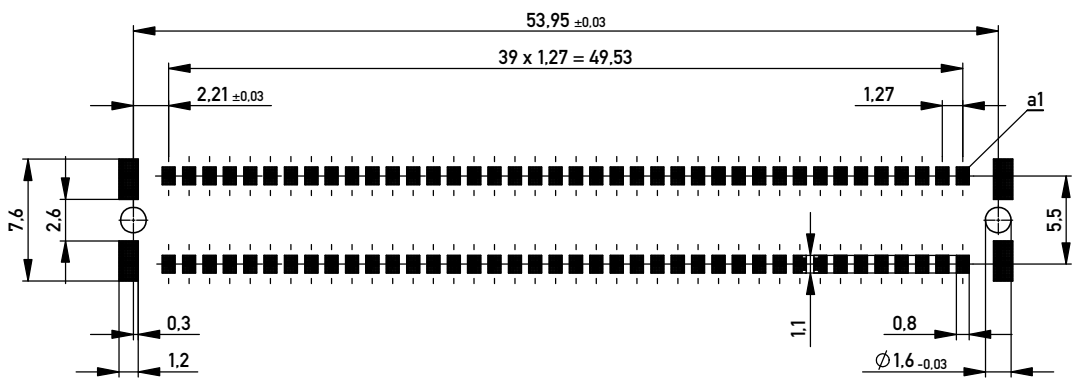
Anforderungsstufe 1
 Performance Level 1

Kontaktbereich vergoldet
 Mating Area gold plating

Anschlussbereich verzinkt 4-6 µm
 Terminal Area 4-6 µm tin plating

Koplanarität der Anschlüsse ≤ 0.1 mm
 Coplanarity Area of Termination ≤ 0.1 mm

Leiterplatten-Layout Vorschlag für SMT
 PCB-Layout Proposal for SMT



BA 7-13 - 8mm Bauhöhe
 type7-13 - low profile

Information:	Tolerances	 All Dimensions in mm	Scale	3:1
	All rights reserved. Only for Information. To ensure that this is the latest version of this drawing, please contact one of the ERNI companies before using.		Designation Federl. SMC-B 80-SMD-BA7-13 <i>Female SMC-B 80-SMD-type7-13</i>	
Subject to modification without prior notice. Drawing will not be updated.		www.ERNI.com		154809
d	15.01.2014	Class		SMCB
Index	Date			I A3

Copyright by ERNI GmbH
 Proprietary notice pursuant to ISO 16018 to be observed.