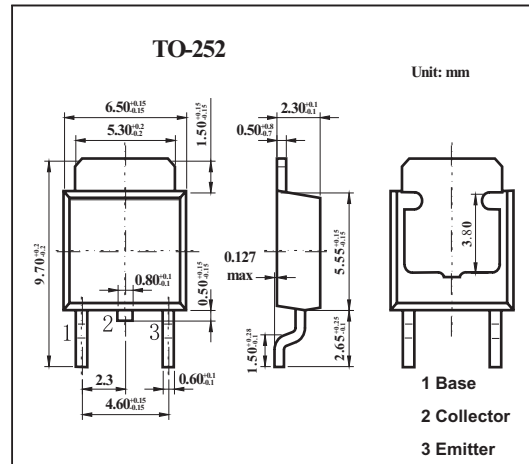


2SD2121S

■ Features

- Low frequency power amplifier.



■ Absolute Maximum Ratings Ta = 25°C

Parameter	Symbol	Rating	Unit
Collector to base voltage	V _{CBO}	35	V
Collector to emitter voltage	V _{CEO}	35	V
Emitter to base voltage	V _{EBO}	5	V
Collector current	I _C	2.5	A
Peak collector current	I _{CP}	3	A
Collector power dissipation T _C = 25°C	P _C	18	W
Junction temperature	T _J	150	°C
Storage temperature	T _{stg}	-55 to +150	°C

■ Electrical Characteristics Ta = 25°C

Parameter	Symbol	Testconditons	Min	Typ	Max	Unit
Collector to base breakdown voltage	V _{(BR)CBO}	I _C = 1 mA, I _E = 0	35			V
Collector to emitter breakdown voltage	V _{(BR)CEO}	I _C = 10 mA, R _{BE} = ∞	35			V
Emitter to base breakdown voltage	V _{(BR)EBO}	I _E = 1 mA, I _C = 0	5			V
Collector cutoff current	I _{CBO}	V _{CB} = 35 V, I _E = 0			20	μA
DC current transfer ratio *	h _{FE}	V _{CE} = 2 V, I _C = 0.5 A	60		320	
		V _{CE} = 2 V, I _C = 1.5 A	20			
Base to emitter voltage *	V _{BE}	V _{CE} = 2 V, I _C = 1.5 A			1.5	V
Collector to emitter saturation voltage *	V _{CE(sat)}	I _C = 2 A, I _B = 0.2 A			1.0	V

* Pulse test.

■ hFE Classification

Marking	B	C	D
hFE	60~120	100~200	160~320