



Data Sheet

telephone
949 252 0522

BACK

Product Category: Ceramic Resonator

Series Number	Package	Description	Last Modified
672 ~ 673	ZTACS / ZTTCS Ceramic	SMD Resonator	January 10 , 2012

FEATURES

- Extended temperature range
- High stability Ceramic Resonator
- RoHs Compliant

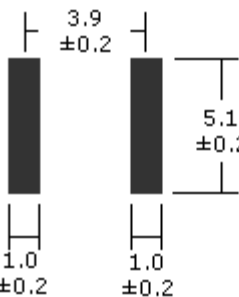
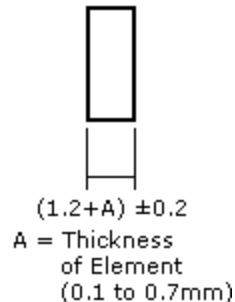
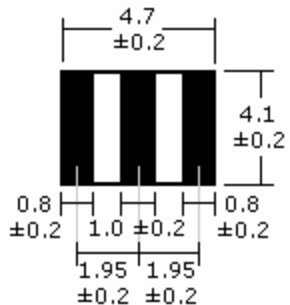
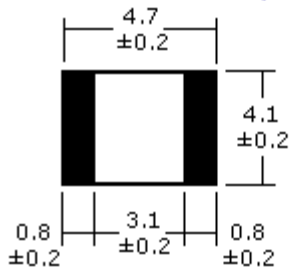


OPERATING CONDITIONS / ELECTRICAL CHARACTERISTICS

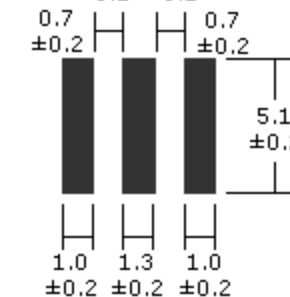
Series No.	Type	Fig	Frequency Range*	Frequency Accuracy	Stability in Temperature	Aging for Ten Years
			(MHz)	@ 25° (MHz)	-20° ~ +80°C	-
672	ZTACS	1	6.0 ~ 13.0	±0.5%	±0.4%	±0.3%
			13.01 ~ 60.0		±0.3%	
673	ZTTCS	2	6.0 ~ 13.0		±0.4%	
			13.01 ~ 60.0		±0.3%	

*Higher Freq. Avail. Contact Oscilent for assistance.

PACKAGE DIMENSIONS (mm)



Recommended Land Pattern



Recommended Land Pattern

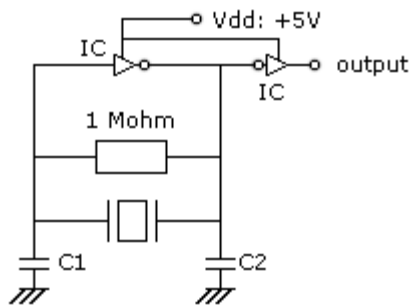


Figure 1) ZTACS

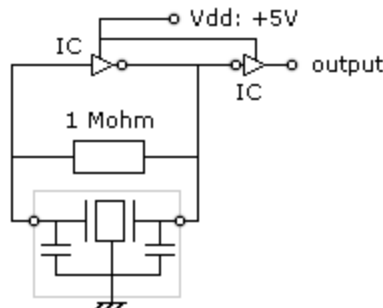


Figure 2) ZTTCS

Test Circuit IC

Freq. 6.0 ~ 13.0 MHz: IC: 1/6TC4069UBPx2
 13.01 ~ 60.0 MHz: IC: 1/6TC74HCU04x2

2-PIN TYPE CERAMIC RESONATOR SMD

Series No.	Frequency Range (MHz)	Ro (ohm)	C1=C2 pF value	TC	Remark
672	6.00~13.00	30max	30pF±20%	0.4%	PF value is for testing circuit only
	13.01~20.00	40max		0.3%	
	20.01~25.99		5pF±20%		
	26.00~50.00				

3-PIN TYPE CERAMIC RESONATOR SMD

Series No.	Frequency Range (MHz)	Ro (ohm)	C1=C2 pF value	TC	Remark
673	6.00~13.00	30	22pF±20%	0.4%	PF value is for built-in capacitors only
	13.01~16.00	40		0.3%	
	16.01~25.99		5pF±20%		
	26.00~50.00				

TAPING SPECIFICATIONS

[Click here for tape information](#)

PART NUMBER GUIDE

Example: 672-12.0M-33-03W-TR

Part Number	Frequency	Load Capacitance	Frequency Accuracy (%)	Operating Temp (°C)	Packaging**
672	- 12.0M	- 33	- 03	W	Blank* = Bulk -TR = Tape/ Reel
672 = ZTACS 673 = ZTCS	e.g. -12.0M = 12.000 MHz Std. Range = 6.0 ~ 60.0 MHz Higher Freq. Avail. Contact Oscilent for assistance.	Blank* = Standard as shown in above Table or Fill in the blank e.g 33 = 33pF	Blank* = ±0.5% -03 = ±0.3%	Blank* = -20 ~ +80 -N = -40 ~ +85 -W = -40 ~ +125	Click here for 672~673 tape information

NOTE: Deviations on all parameters available. Please consult Oscilent for details.

DEFINITIONS: Click on the characteristic names above, for definitions of the particular characteristic.

***STANDARDS:** "Blank" part number selections, indicate standard variables for the particular characteristic.

****PACKAGING:** Click on the packaging name above for Tape/Reel specifications

Oscilent Corporation - CALL **1.949.252.0522**

Series No.: 672 to 673

18226 McDermott Street , Building B , Irvine , CA 92614 , USA
Fax: 1.949.252.0599 , E-Mail: Sales@Oscilent.com