

φ172mm

San Ace 172

102mm thick (CR type)



General Specifications

- Material Frame: Aluminum, Impeller: Plastics (Flammability: UL94V-0)
- Expected Life Refer to specifications (L10:Survival rate:90% at 60°C , rated voltage, and continuously run in a free air state)
- Lead Wire Inlet ⊕red ⊖black (Sensor) yellow (Control) brown
Outlet ⊕orange ⊖gray (Sensor) purple (Control) white
- Storage Temperature -30°C to +70°C (Non-condensing)

φ172mm × 150mm × 102mm (Mass : 1,600g) **CR type**

Specifications

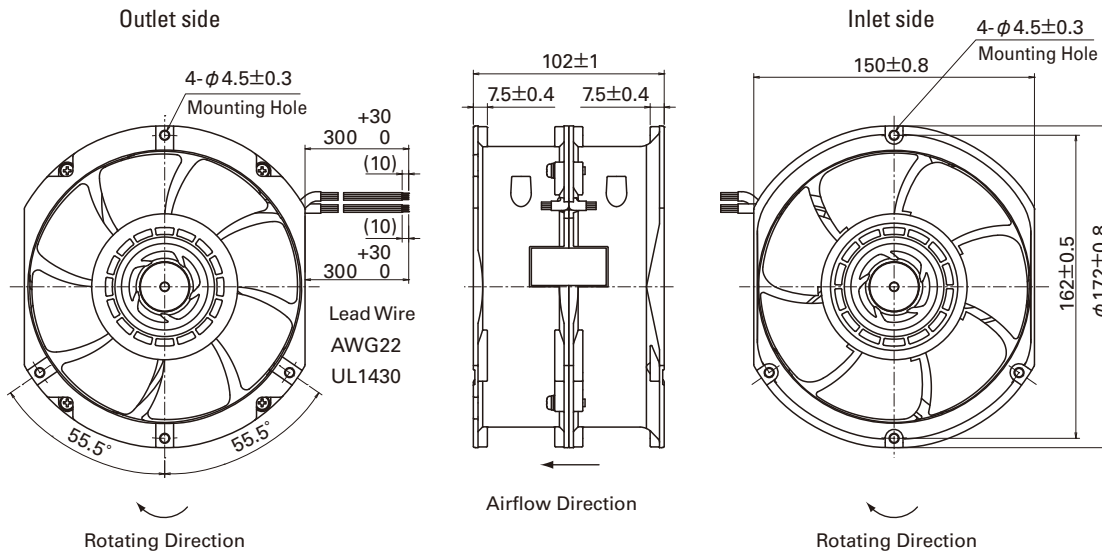
The following nos. **have PWM controls and pulse sensors.**

Model No.	Rated Voltage [V]	Operating Voltage Range [V]	PWM duty cycle※ [%]	Rated Current [A]	Rated Input [W]	Rated Speed [min ⁻¹]		Max. Air Flow [m ³ /min] [CFM]		Max. Static Pressure [Pa] [inchH ₂ O]		SPL [dB(A)]	Operating Temperature [°C]	Expected Life [h]
						Inlet	Outlet							
9CR5748P9G001	48	36 to 72	100	5.5	264	7,300	6,400	18	636	1,400	5.62	83	-20 to +70	40,000
			0	0.5	24	2,400	1,900	5.5	194.3	152	0.61	54		

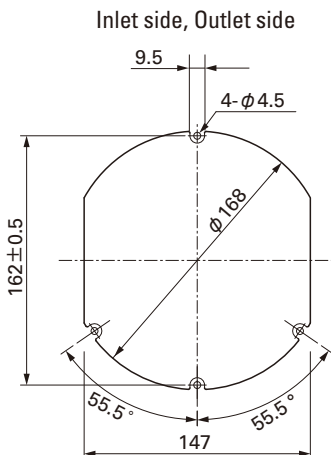
※PWM Frequency : 25kHz

- Available options: ⇒ **Without Sensor** **Pulse Sensor** **Lock Sensor** **Low speed Sensor**

Dimensions (Unit : mm)



Reference dimension of mounting holes and vent opening (Unit : mm)



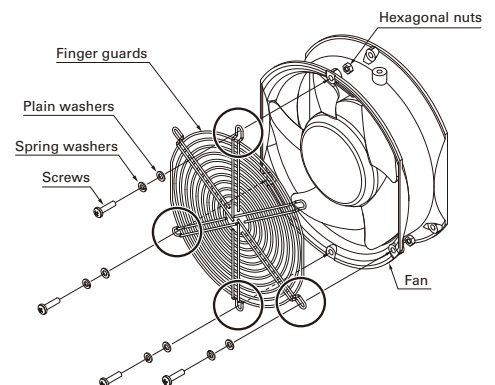
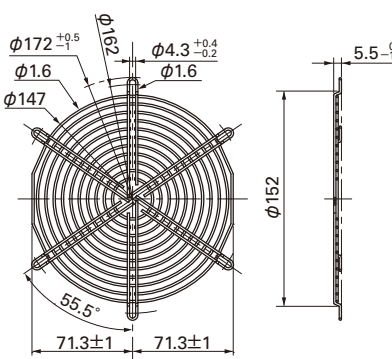
Options (Unit : mm)

Finger guards

Model : 109-319J Color Surface treatment : Nickel-chrome plating (silver)

For the finger guard Model: 109-319J, fix the finger guard to four holes as shown in the diagram.

Inlet side, Outlet side



Options (Unit : mm)

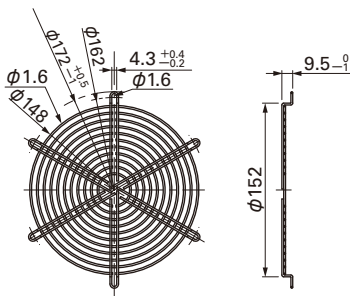
Finger guards

Model : 109-319E Surface treatment : Nickel-chrome plating (silver)
 : 109-319H : Cation electropainting (black)

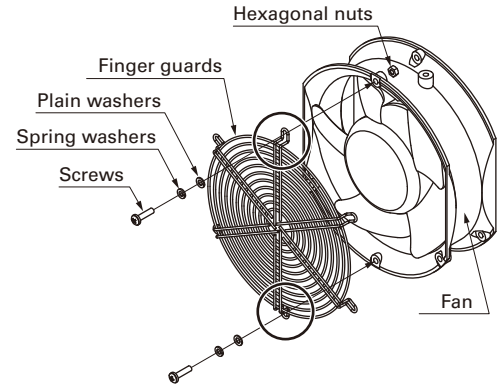
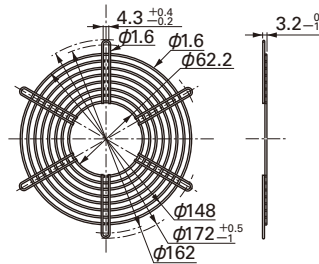
Model : 109-320 Surface treatment : Nickel-chrome plating (silver)

For the finger guard Model: 109-319E, 109-319H, 109-320, fix the finger guard to two holes as shown in the diagram. Do not fix it to any other holes.

Inlet side, Outlet side

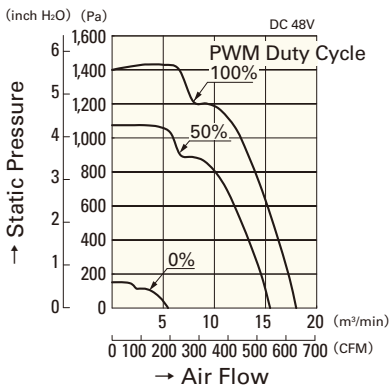


Outlet side



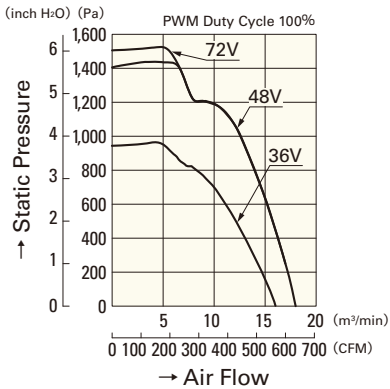
Air Flow - Static Pressure Characteristics

PWM Duty Cycle



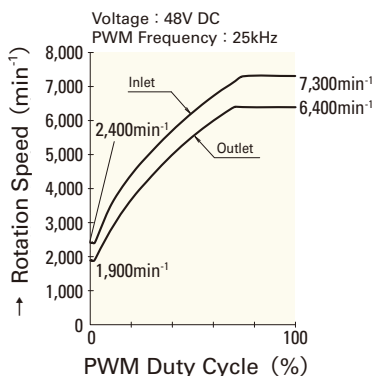
9CR5748P9G001

Operating Voltage Range



9CR5748P9G001

PWM Duty - Speed Characteristics Example



9CR5748P9G001