
Octave Remote Resistor-programmable Temperature Switches AP2602

General Description

The AP2602 are fully integrated, resistor programmable octave remote temperature switches with selectable external/internal trigger voltages setting. The thresholds are set by external resistors and thermistors with negative temperature coefficient.

The AP2602 provides 4 open-drain, active low, over-temperature outputs for each 2 sensors. These switches operate with a 2.7V to 5.5V single supply.

The AP2602 are available in 16-pin QFN-3X3-16 package.

Features

- 8 Remote Temperature Switches Set by Thermistor and External Resistors
- 4 Open-drain Active Low Output Stages for Each 2 Temperature Switches
- Selectable External/Internal Trigger Voltages Setting
- Built-in Hysteresis Temperature when Using Internal Setting Trigger Voltage
- Guaranteed Output Signal Valid to $V_{CC}=0.8V$
- QFN-3X3-16 Package

Applications

- μP Temperature Monitoring High-speed Computers
- Temperature Control
- Temperature Alarms
- Fan Control
- Automotives

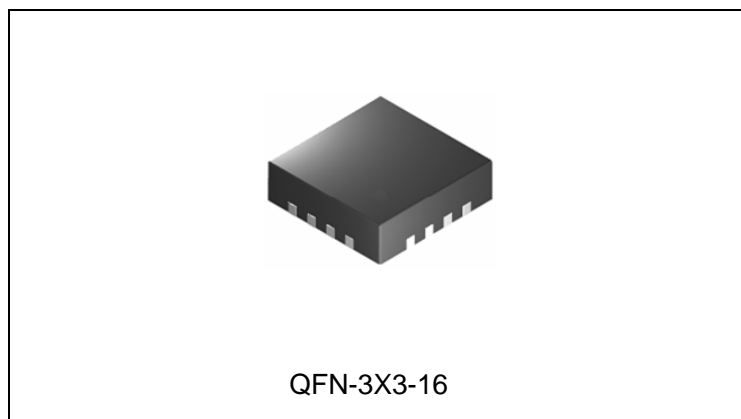
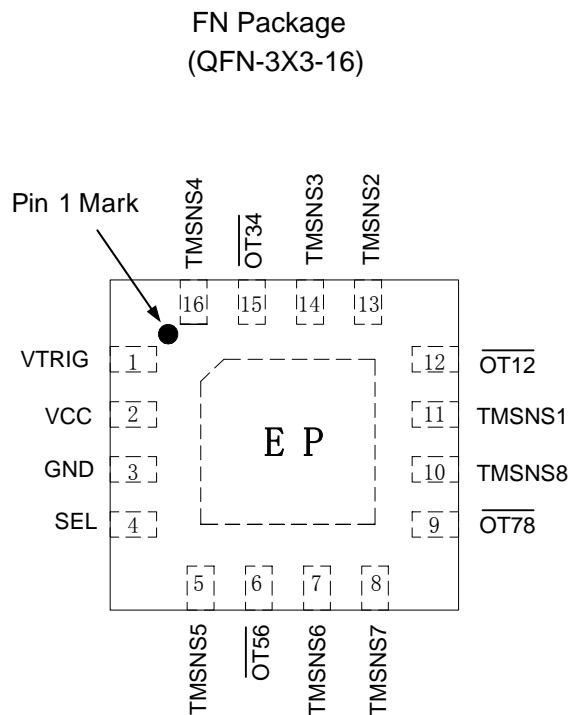


Figure 1. Package Type of AP2602

Octave Remote Resistor-programmable Temperature Switches AP2602

Pin Configuration



Note 1: Recommend connecting the thermal pad to GND for excellent power dissipation.

Figure 2. Pin Configuration of AP2602 (Top View)

Pin Description

Pin Number	Pin Name	Function
1	VTRIG	Input of external setting trigger voltage
2	VCC	Power-supply input
3	GND	Ground
4	SEL	Connect SEL to GND to select external trigger voltage, while connecting SEL to VCC to select internal trigger voltage. Don't leave the pin floating
5,7,8,10,11,13,14,16	TMSNSX	Connect an external 1% resistor from TMSNSX to GND to set trigger point of remote temperature sensorX
6,9,12,15	$\overline{\text{OTXY}}$	Open-Drain, active low, over-temperature output for sensor 1, 2, sensor 3, 4, sensor 5, 6, sensor 7, 8 respectively. The $\overline{\text{OTXY}}$ outputs are the wire-or results of sensorX and sensorY

Octave Remote Resistor-programmable Temperature Switches AP2602

Functional Block Diagram

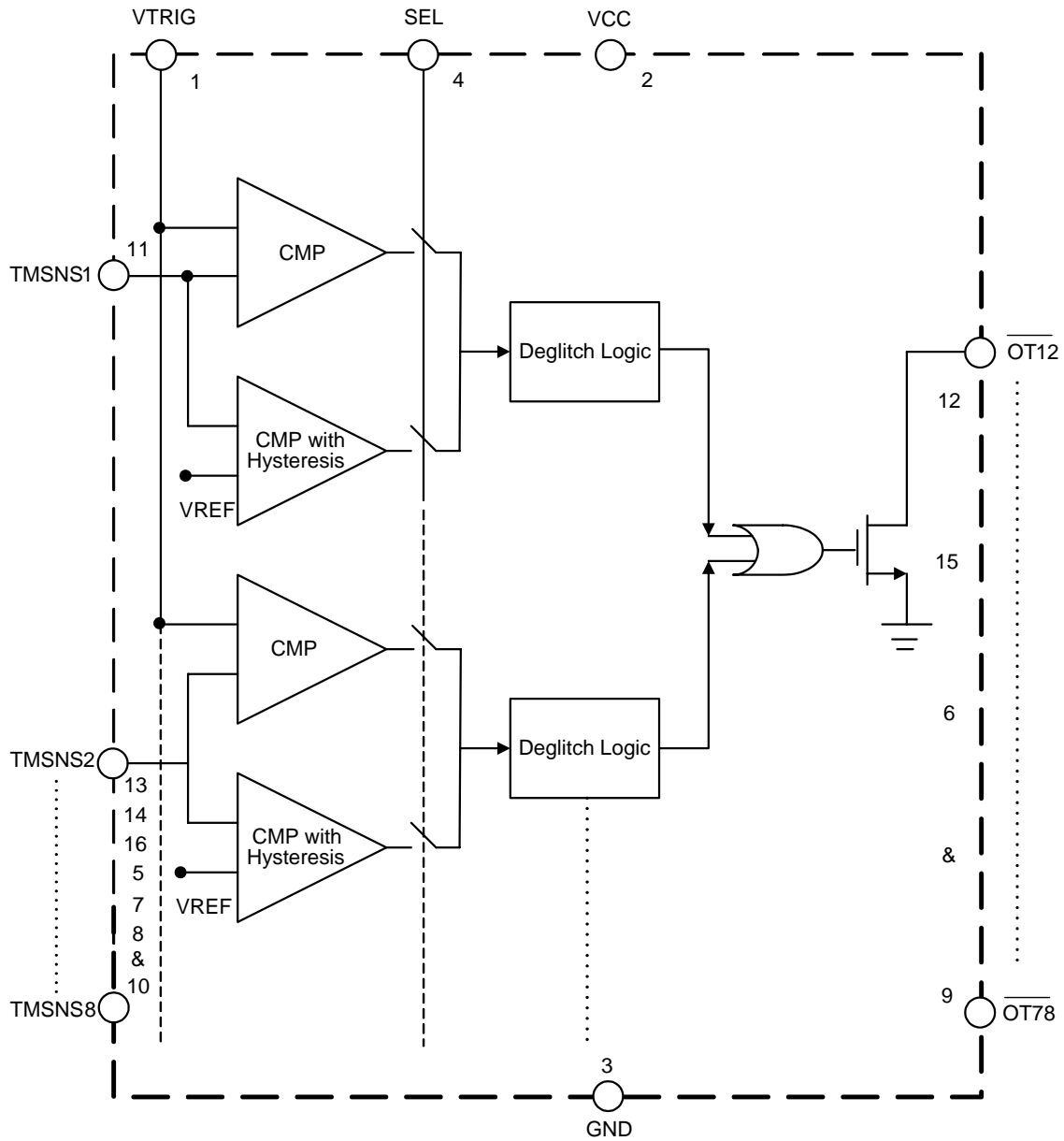
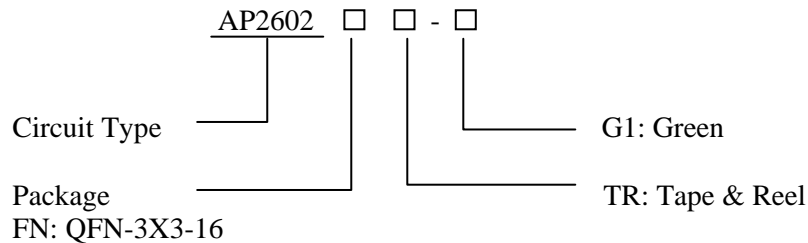


Figure 3. Functional Block Diagram of AP2602

**Octave Remote Resistor-programmable Temperature Switches AP2602****Ordering Information**

Package	Temperature Range	Part Number	Marking ID	Packing Type
QFN-3X3-16	-40 to 125°C	AP2602FNTR-G1	B2E	Tape & Reel

BCD Semiconductor's Pb-free products, as designated with "G1" suffix in the part number, are RoHS compliant and green.

Absolute Maximum Ratings (Note 2)

Parameter	Symbol	Value	Unit
Supply Voltage	V_{CC}	-0.3 to 6	V
\overline{OTXY} Voltage	V_{OT}	-0.3 to 6	V
TMSNSX, VTRIG Voltage	V_{TMSNSX} , V_{TRIG}	-0.3 to $V_{CC}+0.3$	V
SEL Voltage	V_{SEL}	-0.3 to 6	V
Output Current (All Pins)		20	mA
Input Current (All Pins)		20	mA
Operating Junction Temperature	T_J	150	°C
Storage Temperature Range	T_{STG}	-65 to 150	°C
Lead Temperature (Soldering, 10 seconds)	T_{LEAD}	260	°C
Thermal Resistance	θ_{JA}	QFN-3X3-16 68	°C/W
ESD (Machine Model)		200	V
ESD (Human Body Model)		2000	V

Note 2: Stresses greater than those listed under "Absolute Maximum Ratings" may cause permanent damage to the device. These are stress ratings only, and functional operation of the device at these or any other conditions beyond those indicated under "Recommended Operating Conditions" is not implied. Exposure to "Absolute Maximum Ratings" for extended periods may affect device reliability.



Octave Remote Resistor-programmable Temperature Switches AP2602

Recommended Operating Conditions

Parameter	Symbol	Min	Max	Unit
Supply Voltage	V_{CC}	2.7	5.5	V
Operating Ambient Temperature Range	T_A	-40	125	°C

Electrical Characteristics

$V_{CC}=2.7V$ to $5.5V$, $T_A=-40^{\circ}C$ to $125^{\circ}C$, unless otherwise specified. Typical values are at $T_A=25^{\circ}C$.

Parameter	Symbol	Conditions	Min	Typ	Max	Units
Supply Voltage	V_{CC}		2.7		5.5	V
Supply Current	I_{CC}	$V_{CC}=3.3V$ \overline{OTXY} float		40	100	μA
		$V_{TMSNSX}=V_{CC}$ $V_{TMSNSX}=GND$		55	110	
TMSNSX Input Threshold	V_{TH}/V_{CC}	$V_{CC}=5V$, $V_{SEL}=V_{CC}$, V_{TH}/V_{CC}	0.244	0.25	0.256	V/V
		$V_{CC}=3.3V$, $V_{SEL}=V_{CC}$, V_{TH}/V_{CC}	0.24	0.25	0.26	
VTRIG Input Range	V_{TRIG}	$0 < V_{TRIG} < 0.4 \times V_{CC}$	0.5		$0.4 \times V_{CC}$	V
Offset Voltage between VTRIG and TMSNSX	V_{OS}	$V_{CC}=5V$, $V_{SEL}=GND$	-15		15	mV
SEL Input Voltage	V_{IH}	$V_{CC}=5V$	2			V
	V_{IL}	$V_{CC}=5V$			1	V
Open-drain \overline{OTXY} Output Sink Current	I_{SINK}	$V_{OT}=0.3V$, $V_{TMSNSX}=0V$	3	4.5		mA
Open-drain \overline{OTXY} Output Leakage Current	$I_{LEAK-OT}$	$V_{OT}=V_{CC}$, $V_{TMSNSX}=5V$			1	μA
Thermal Resistance	θ_{JC}	QFN-3X3-16		4.2		°C/W



Octave Remote Resistor-programmable Temperature Switches AP2602

Typical Performance Characteristics

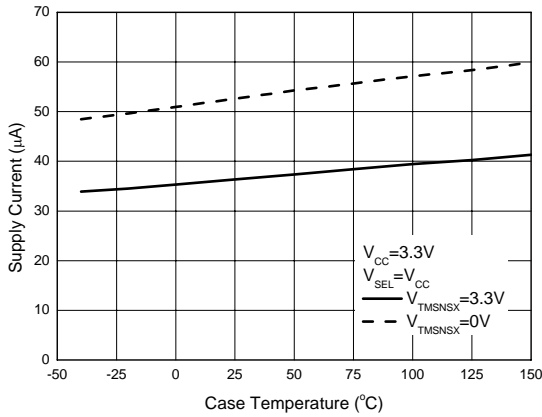


Figure 4. Supply Current vs. Case Temperature

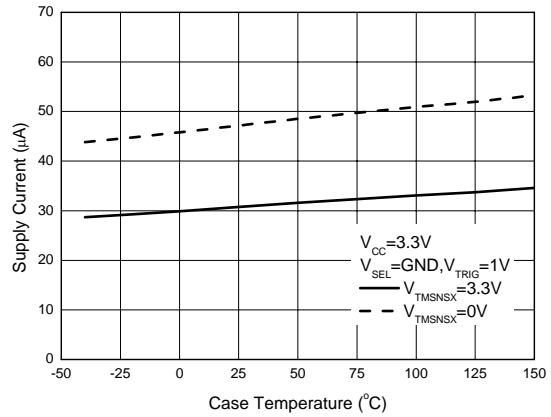


Figure 5. Supply Current vs. Case Temperature

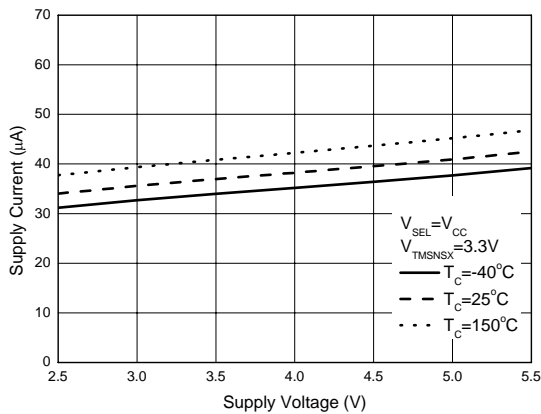


Figure 6. Supply Current vs. Supply Voltage

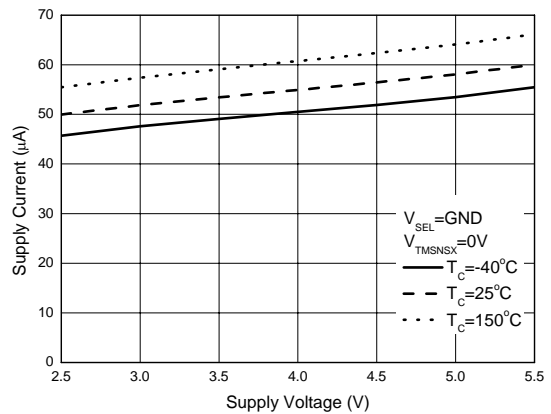


Figure 7. Supply Current vs. Supply Voltage

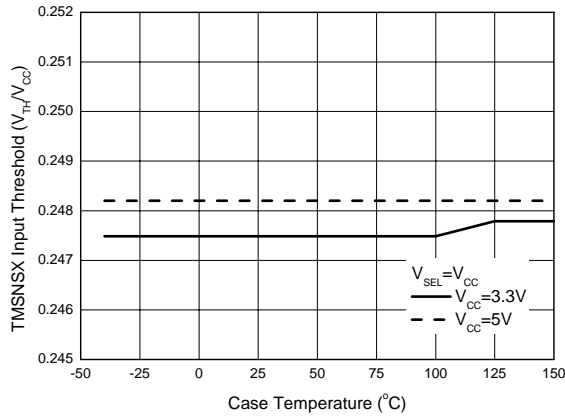
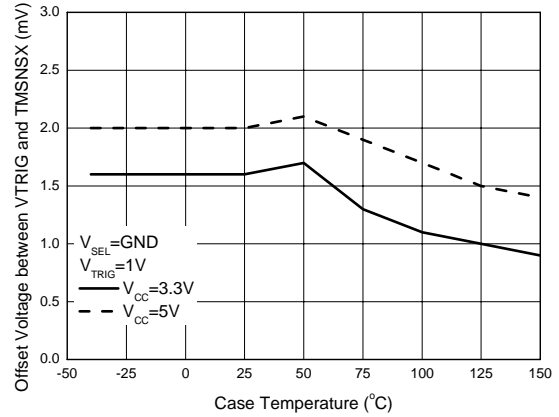
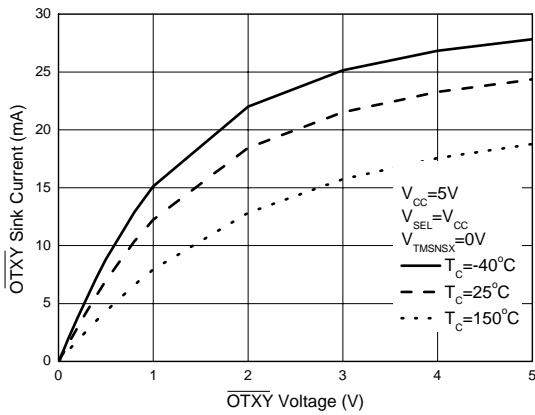
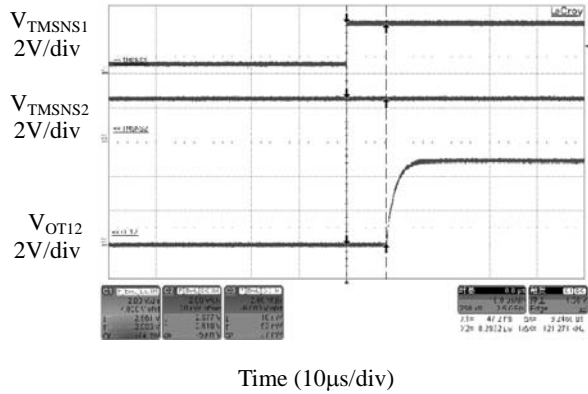
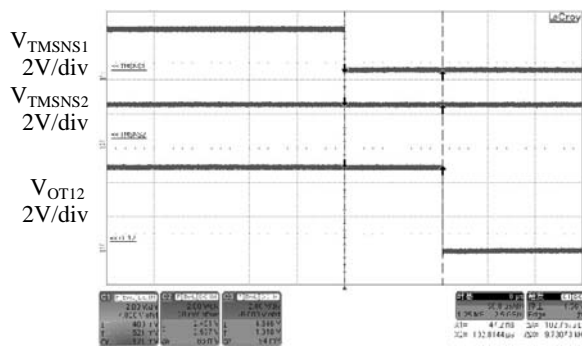
Octave Remote Resistor-programmable Temperature Switches AP2602
Typical Performance Characteristics (Continued)

 Figure 8. TMSNSX Input Threshold (V_{TH}/V_{CC}) vs. Case Temperature


Figure 9. Offset Voltage between VTRIG and TMSNSX vs. Case Temperature


 Figure 10. Open-drain \overline{OTXY} Output Sink Current vs. \overline{OTXY} Voltage

 Figure 11. Deglitch time to OT High ($V_{SEL}=V_{CC}$)
 (Conditions: $V_{CC}=5V$, $V_{TMSNS1}=0.5V$ to $3V$, $V_{TMSNS2}=2.5V$)

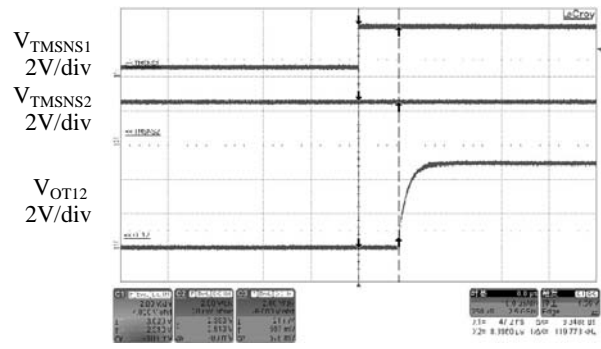
Octave Remote Resistor-programmable Temperature Switches AP2602

Typical Performance Characteristics (Continued)



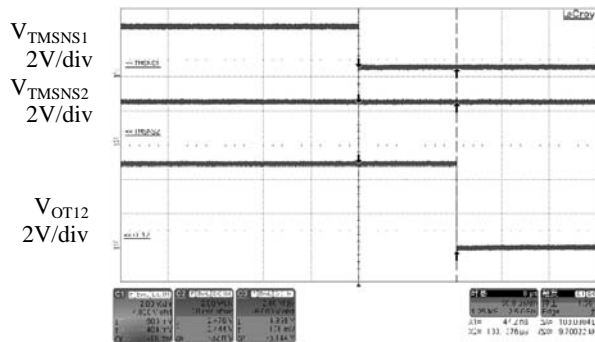
Time (50µs/div)

Figure 12. Deglitch time to OT Low ($V_{SEL}=V_{CC}$)
(Conditions: $V_{CC}=5V$, $V_{TMSNS1}=0.5V$ to $3V$,
 $V_{TMSNS2}=2.5V$)



Time (10µs/div)

Figure 13. Deglitch time to OT High ($V_{SEL}=GND$)
(Conditions: $V_{CC}=5V$, $V_{TMSNS1}=0.5V$ to $3V$,
 $V_{TMSNS2}=2.5V$, $V_{TRIG}=1V$)



Time (50µs/div)

Figure 14. Deglitch Time to OT Low ($V_{SEL}=GND$)
(Conditions: $V_{CC}=5V$, $V_{TMSNS1}=0.5V$ to $3V$,
 $V_{TMSNS2}=2.5V$, $V_{TRIG}=1V$)

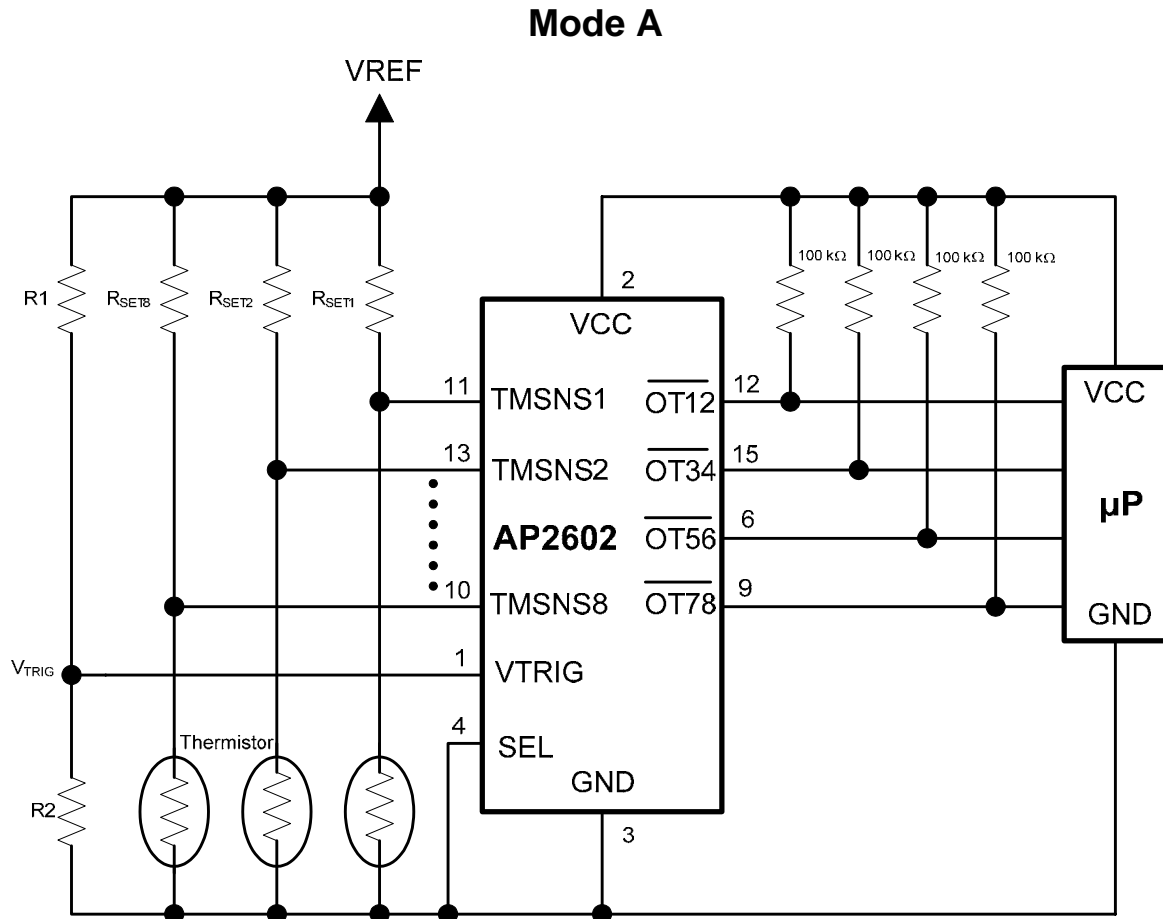
Octave Remote Resistor-programmable Temperature Switches AP2602
Typical Application


Figure 15. Typical Application of AP2602 (Mode A)

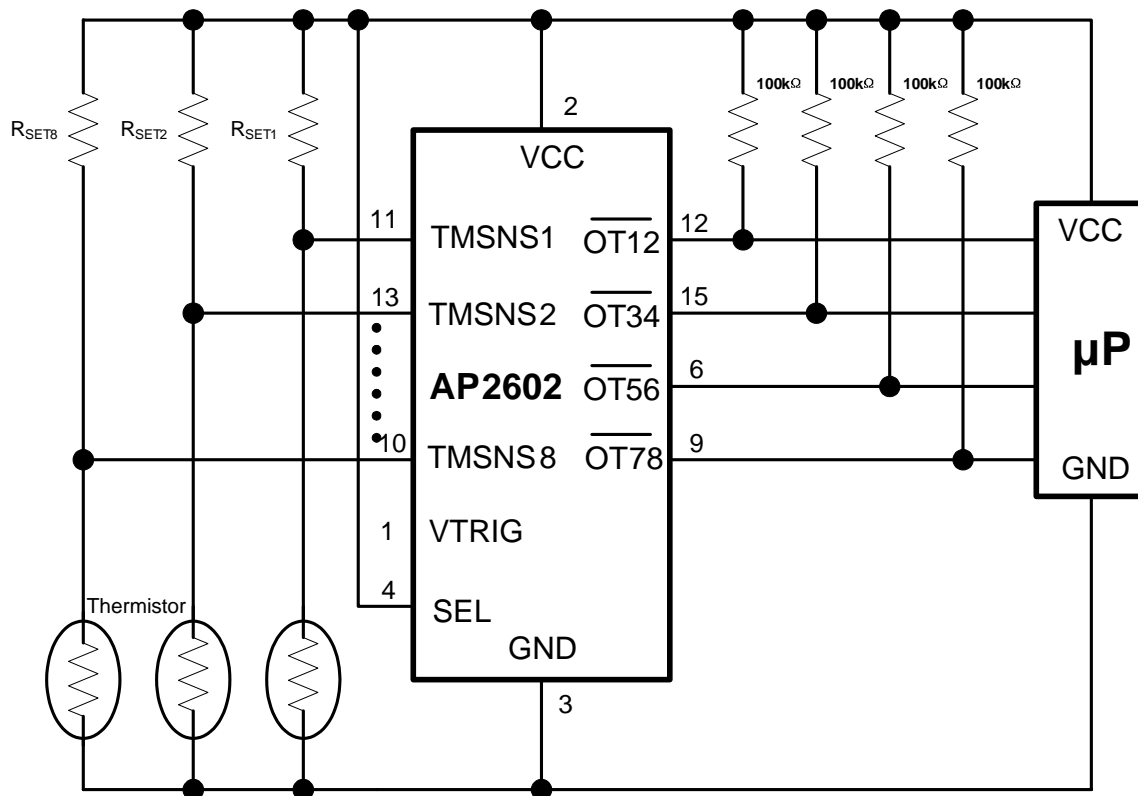
Octave Remote Resistor-programmable Temperature Switches AP2602
Typical Application (Continued)
Mode B


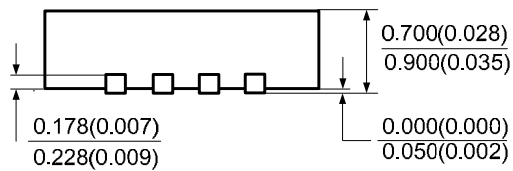
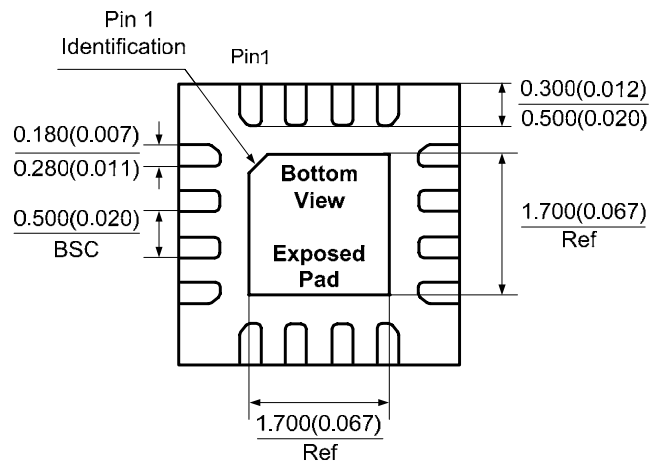
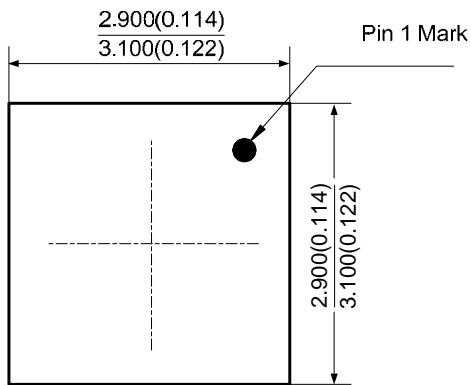
Figure 16. Typical Application of AP2602 (Mode B)

Octave Remote Resistor-programmable Temperature Switches AP2602

Mechanical Dimensions

QFN-3x3-16

Unit: mm(inch)





BCD Semiconductor Manufacturing Limited

<http://www.bcdsemi.com>

IMPORTANT NOTICE

BCD Semiconductor Manufacturing Limited reserves the right to make changes without further notice to any products or specifications herein. BCD Semiconductor Manufacturing Limited does not assume any responsibility for use of any its products for any particular purpose, nor does BCD Semiconductor Manufacturing Limited assume any liability arising out of the application or use of any its products or circuits. BCD Semiconductor Manufacturing Limited does not convey any license under its patent rights or other rights nor the rights of others.

MAIN SITE

- Headquarters

BCD Semiconductor Manufacturing Limited

No. 1600, Zi Xing Road, Shanghai ZiZhu Science-based Industrial Park, 200241, China
Tel: +86-21-24162266, Fax: +86-21-24162277

- Wafer Fab

Shanghai SIM-BCD Semiconductor Manufacturing Co., Ltd.

800 Yi Shan Road, Shanghai 200233, China
Tel: +86-21-6485 1491, Fax: +86-21-5450 0008

REGIONAL SALES OFFICE

Shenzhen Office

Shanghai SIM-BCD Semiconductor Manufacturing Co., Ltd., Shenzhen Office

Unit A Room 1203, Skyworth Bldg., Gaoxin Ave. 1.S., Nanshan District, Shenzhen, China
Tel: +86-755-8826 7951
Fax: +86-755-8826 7865

Taiwan Office

BCD Semiconductor (Taiwan) Company Limited

4F, 298-1, Rui Guang Road, Nei-Hu District, Taipei, Taiwan
Tel: +886-2-2656 2808
Fax: +886-2-2656 2806

USA Office

BCD Semiconductor Corp.

30920 Huntwood Ave. Hayward, CA 94544, USA
Tel : +1-510-324-2988
Fax: +1-510-324-2788