

To: Farnell InOne

---

Issue No. : CE-AAMX-CEM-1

Date of Issue : 12 December, 2006

## ENGINEERING DRAFT

Product Description : Aluminum Electrolytic Capacitor  
Customer Part Number :

Product Part Number : Radial lead type (JIS:04 type) AM series X type

Country of Origin : Japan, Malaysia  
Marking of the Origin : Printed on the packaging label  
Applications : AUDIO  
Term of Validity : November 9, 2007 from the date issue

- These specifications are temporary specifications. Ask factory for technical specifications before purchase and / or use.

Capacitor Business Unit  
Panasonic Electronic Devices Co.,Ltd.

25.Kohata-nishinaka..Uji City,  
Kyoto, 611-8585, Japan  
Phone (774)32-1111

Phone :+81-774-33-3209(Direct)  
Fax :+81-774-33-4251

Prepared by : Engineering Group  
Aluminum Engineering Team

Contact Person :  
Signature \_\_\_\_\_  
Name(Print) Haruhiko Handa  
Title : Engineer

Authorized by :  
Signature \_\_\_\_\_  
Name(Print) Hisao Nagara  
Title : Manager

No.3726636

**Panasonic**

## A type AM series X type

Page No.  
ContentsContents

Notice matter	P.1
Scope	P.2
Parts Number	P.2
Parts Lists	P.3 ~ P.5
Can Size Table	P.6
Dimensions and Appearance	P.7
Constructions	P.8
Marking	P.8
Lot No. System	P.9 ~ P.10
Standard Rating	P.11
Performance Characteristics	P.12 ~ P.15
Other Characteristics	P.16
Dimensions (Snap-in lead formed type)	P.17
Taping Shape and Dimensions	P.18 ~ P.21
Taping Specifications	P.22 ~ P.24
Package Amount and Shape	P.25 ~ P.27
Notes in using Radial lead type Aluminum Electrolytic Capacitor	P.28 ~ P.31

Engineering Draft	CE-AAMX-CEM-1
A type AM series X type	1

Notice matter

- ◆ Law and regulation which are applied
  - This product complies with the RoHS Directive (Restriction of the use of certain Hazardous Substances in electrical and electronic equipment (DIRECTIVE 2002/95/EC).
  - No Ozone Depleting Chemicals(ODC's), controlled under the Montreal Protocol Agreement, are used in producing this product.
  - We do not PBBs or PBDEs as brominated flame retardants.
  - All the materials that are used for this product are registered as "Known Chemicals" in the Japanese act "Law Concerning the Examination and Regulation of Manufacture, etc. of Chemical Substances".
  - Export procedure which followed export related regulations, such as foreign exchange and a foreign trade method, on the occasion of export of this product .Thank you for your consideration.
  
- ◆ Limitation of a use
  - This capacitor is designed to be used for electronics circuits such as audio/visual equipment, home appliances, computers and other office equipment, optical equipment, measuring equipment and industrial robots.  
High reliability and safety are required [ be / a possibility that incorrect operation of this product may do harm to a human life or property ] more. When use is considered by the use, the delivery specifications which suited the use separately need to be exchanged.
  
- ◆ Unless otherwise specified, the product shall conform to JIS 5101-4-1
  
- ◆ Country of origin : JAPAN, MALAYSIA
  
- ◆ Manufacturing factory : Panasonic Electronic Devices Yamaguchi Co.,Ltd.  
1285, Aza-Sakutaguchi, Oaza-Asada, Yamaguchi City, Yamaguchi  
753-8536 Japan  
  
Panasonic Electronic Devices Malaysia Sdn.Bhd.  
No.1 Jalan Jemuju 16/13,40200 Shah Alam,Selangor Darul Ehsan, MALAYSIA

## A type AM series X type

2

1. Scope

Fixed capacitors for use in electronic equipment, Aluminum electrolytic capacitors with non-solid electrolyte.

2. Parts Number

$\frac{EC}{2-1}$	$\frac{A}{2-2}$	$\frac{OO}{2-3}$	$\frac{AM}{2-4}$	$\frac{OOO}{2-5}$	$\frac{X}{2-4}$	$\frac{\square}{2-6}$
------------------	-----------------	------------------	------------------	-------------------	-----------------	-----------------------

2-1 Aluminum Electrolytic Capacitor

2-2 Type : Radial lead type ( JIS : 04 type )

2-3 Rated Voltage Code

Voltage Code	0J	1A	1C	1E	1V	1H	1J	2A
Rated Voltage (V.DC)	6.3	10	16	25	35	50	63	100

2-4 AM series X type

2-5 Capacitance Code : Indicating capacitance in  $\mu\text{F}$  by 3 letters.  
 The first 2 figures are actual values and the third denotes the number of zeros.  
 "R" denotes the decimal point and all figures are the actual number with "R".  
 For example,  $1\mu\text{F}$  is expressed as 010 in this case.

ex.  $0.1\mu\text{F} \rightarrow 0R1$  ,  $10\mu\text{F} \rightarrow 100$  ,  $1000\mu\text{F} \rightarrow 102$

2-6 Suffix Code for Appearance : Special Code for Appearance

Blank	Standard Long Lead
E	Snap-in lead
i	Lead taping (2.5mm pitch)
B	Lead taping (5.0mm pitch)

Item 9 for snap-in lead,  
 Item 10 for lead taping dimensions,  
 Item 11 and Item 12 for lead taping specifications.

## A type AM series X type

3

## Parts lists

	Part No.	W.V. [V.DC]	Cap. [ $\mu$ F] (120Hz) (20°C)	Tangent of loss angle max. (120Hz) (20°C)	Leakage Current [ $\mu$ A] max. (After 2 min.)	Rated Ripple Current [mA rms] max. (120Hz) (85°C)	Dim. [mm]		
							$\phi$ D	L	$\phi$ d
	ECA0JAM221X	6.3	220	0.28	13.8	240	5	11	0.5
	ECA0JAM471X	6.3	470	0.28	29.6	380	6.3	11.2	0.5
	ECA0JAM102X	6.3	1000	0.28	63.0	580	8	11.5	0.6
	ECA0JAM222X	6.3	2200	0.30	138.6	890	10	16	0.6
	ECA0JAM332X	6.3	3300	0.32	207.9	1020	10	20	0.6
	ECA0JAM472X	6.3	4700	0.34	296.1	1170	12.5	20	0.6
	ECA0JAM682X	6.3	6800	0.38	428.4	1270	12.5	25	0.6
	ECA0JAM103X	6.3	10000	0.46	630.0	1450	16	25	0.8
	ECA0JAM153X	6.3	15000	0.56	945.0	1700	16	31.5	0.8
	ECA0JAM223X	6.3	22000	0.70	1386.0	1900	18	35.5	0.8
	ECA1AAM331X	10	330	0.24	33.0	330	6.3	11.2	0.5
	ECA1AAM102X	10	1000	0.24	100.0	630	10	12.5	0.6
	ECA1AAM222X	10	2200	0.26	220.0	920	10	20	0.6
	ECA1AAM332X	10	3300	0.28	330.0	1090	12.5	20	0.6
	ECA1AAM472X	10	4700	0.30	470.0	1200	12.5	25	0.6
	ECA1AAM682X	10	6800	0.34	680.0	1400	16	25	0.8
	ECA1AAM103X	10	10000	0.42	1000.0	1600	16	31.5	0.8
	ECA1AAM153X	10	15000	0.52	1500.0	1850	18	35.5	0.8
	ECA1CAM100X	16	10	0.20	3.0	30	5	11	0.5
	ECA1CAM220X	16	22	0.20	3.5	75	5	11	0.5
	ECA1CAM330X	16	33	0.20	5.2	110	5	11	0.5
	ECA1CAM470X	16	47	0.20	7.5	130	5	11	0.5
	ECA1CAM101X	16	100	0.20	16.0	180	5	11	0.5
	ECA1CAM221X	16	220	0.20	35.2	280	6.3	11.2	0.5
	ECA1CAM471X	16	470	0.20	75.2	440	8	11.5	0.6
	ECA1CAM102X	16	1000	0.20	160.0	680	10	16	0.6
	ECA1CAM222X	16	2200	0.22	352.0	1000	12.5	20	0.6
	ECA1CAM332X	16	3300	0.24	528.0	1200	12.5	25	0.6
	ECA1CAM472X	16	4700	0.26	752.0	1360	16	25	0.8
	ECA1CAM682X	16	6800	0.30	1088.0	1600	16	31.5	0.8
	ECA1CAM103X	16	10000	0.38	1600.0	1800	18	35.5	0.8

## A type AM series X type

4

## Parts lists

	Part No.	W.V. [V.DC]	Cap. [ $\mu$ F] (120Hz) (20°C)	Tangent of loss angle max. (120Hz) (20°C)	Leakage Current [ $\mu$ A] max. (After 2 min.)	Rated Ripple Current [mA rms] max. (120Hz) (85°C)	Dim. [mm]		
							$\phi$ D	L	$\phi$ d
	ECA1EAM101X	25	100	0.16	25.0	180	6.3	11.2	0.5
	ECA1EAM331X	25	330	0.16	82.5	390	8	11.5	0.6
	ECA1EAM471X	25	470	0.16	117.5	480	10	12.5	0.6
	ECA1EAM102X	25	1000	0.16	250.0	850	10	20	0.6
	ECA1EAM222X	25	2200	0.18	550.0	1200	12.5	25	0.6
	ECA1EAM332X	25	3300	0.20	825.0	1300	16	25	0.8
	ECA1EAM472X	25	4700	0.22	1175.0	1500	16	31.5	0.8
	ECA1EAM682X	25	6800	0.26	1700.0	1750	18	35.5	0.8
	ECA1VAM470X	35	47	0.14	16.4	130	5	11	0.5
	ECA1VAM101X	35	100	0.14	35.0	210	6.3	11.2	0.5
	ECA1VAM221X	35	220	0.14	77.0	350	8	11.5	0.6
	ECA1VAM331X	35	330	0.14	115.5	440	10	12.5	0.6
	ECA1VAM471X	35	470	0.14	164.5	550	10	16	0.6
	ECA1VAM102X	35	1000	0.14	350.0	900	12.5	20	0.6
	ECA1VAM222X	35	2200	0.16	770.0	1250	16	25	0.8
	ECA1VAM332X	35	3300	0.18	1155.0	1400	16	31.5	0.8
	ECA1VAM472X	35	4700	0.20	1645.0	1600	18	35.5	0.8
	ECA1HAM0R1X	50	0.1	0.12	3.0	1.3	5	11	0.5
	ECA1HAMR22X	50	0.22	0.12	3.0	2.9	5	11	0.5
	ECA1HAMR33X	50	0.33	0.12	3.0	4.4	5	11	0.5
	ECA1HAMR47X	50	0.47	0.12	3.0	5	5	11	0.5
	ECA1HAM010X	50	1.0	0.12	3.0	10	5	11	0.5
	ECA1HAM2R2X	50	2.2	0.12	3.0	20	5	11	0.5
	ECA1HAM3R3X	50	3.3	0.12	3.0	35	5	11	0.5
	ECA1HAM4R7X	50	4.7	0.12	3.0	45	5	11	0.5
	ECA1HAM100X	50	10	0.12	5.0	65	5	11	0.5
	ECA1HAM220X	50	22	0.12	11.0	100	5	11	0.5
	ECA1HAM330X	50	33	0.12	16.5	110	5	11	0.5
	ECA1HAM470X	50	47	0.12	23.5	130	6.3	11.2	0.5
	ECA1HAM101X	50	100	0.12	50.0	250	8	11.5	0.6
	ECA1HAM221X	50	220	0.12	110.0	400	10	12.5	0.6
	ECA1HAM331X	50	330	0.12	165.0	500	10	16	0.6
	ECA1HAM471X	50	470	0.12	235.0	650	10	20	0.6
	ECA1HAM102X	50	1000	0.12	500.0	1050	12.5	25	0.6
	ECA1HAM222X	50	2200	0.14	1100.0	1300	16	31.5	0.8
	ECA1HAM332X	50	3300	0.16	1650.0	1500	18	35.5	0.8

## A type AM series X type

5

## Parts lists

	Part No.	W.V. [V.DC]	Cap. [ $\mu$ F] (120Hz) (20°C)	Tangent of loss angle max. (120Hz) (20°C)	Leakage Current [ $\mu$ A] max. (After 2 min.)	Rated Ripple Current [mA rms] max. (120Hz) (85°C)	Dim. [mm]		
							$\phi$ D	L	$\phi$ d
	ECA1JAM100X	63	10	0.11	6.3	70	5	11	0.5
	ECA1JAM220X	63	22	0.11	13.8	105	5	11	0.5
	ECA1JAM330X	63	33	0.11	20.7	130	6.3	11.2	0.5
	ECA1JAM470X	63	47	0.11	29.6	160	6.3	11.2	0.5
	ECA1JAM101X	63	100	0.11	63.0	270	8	11.5	0.6
	ECA1JAM221X	63	220	0.11	138.6	450	10	16	0.6
	ECA1JAM331X	63	330	0.11	207.9	550	10	20	0.6
	ECA1JAM471X	63	470	0.11	296.1	750	12.5	20	0.6
	ECA1JAM102X	63	1000	0.11	630.0	1100	16	25	0.8
	ECA1JAM222X	63	2200	0.13	1386.0	1400	18	35.5	0.8
	ECA2AAMR47X	100	0.47	0.10	3.0	10	5	11	0.5
	ECA2AAM010X	100	1.0	0.10	3.0	20	5	11	0.5
	ECA2AAM2R2X	100	2.2	0.10	3.0	30	5	11	0.5
	ECA2AAM3R3X	100	3.3	0.10	3.3	40	5	11	0.5
	ECA2AAM4R7X	100	4.7	0.10	4.7	50	5	11	0.5
	ECA2AAM100X	100	10	0.10	10.0	70	5	11	0.5
	ECA2AAM220X	100	22	0.10	22.0	115	6.3	11.2	0.5
	ECA2AAM330X	100	33	0.10	33.0	145	8	11.5	0.6
	ECA2AAM470X	100	47	0.10	47.0	180	8	11.5	0.6
	ECA2AAM101X	100	100	0.10	100.0	350	10	16	0.6
	ECA2AAM221X	100	220	0.10	220.0	550	12.5	20	0.6
	ECA2AAM331X	100	330	0.10	330.0	700	12.5	25	0.6
	ECA2AAM471X	100	470	0.10	470.0	900	16	25	0.8
	ECA2AAM102X	100	1000	0.10	1000.0	1300	18	35.5	0.8

## A type AM series X type

6

Capacitance and Can Size Table

V.DC Cap (μF)	φD×L [mm]							
	6.3	10	16	25	35	50	63	100
0.1						5×11		
0.22						5×11		
0.33						5×11		
0.47						5×11	→	5×11
1.0						5×11	→	5×11
2.2						5×11	→	5×11
3.3						5×11	→	5×11
4.7						5×11	→	5×11
10			5×11	→	→	5×11	5×11	5×11
22			5×11	→	→	5×11	5×11	6.3×11.2
33			5×11	→	→	5×11	6.3×11.2	8×11.5
47			5×11	→	5×11	6.3×11.2	6.3×11.2	8×11.5
100			5×11	6.3×11.2	6.3×11.2	8×11.5	8×11.5	10×16
220	5×11	→	6.3×11.2	→	8×11.5	10×12.5	10×16	12.5×20
330	→	6.3×11.2	→	8×11.5	10×12.5	10×16	10×20	12.5×25
470	6.3×11.2	→	8×11.5	10×12.5	10×16	10×20	12.5×20	16×25
1000	8×11.5	10×12.5	10×16	10×20	12.5×20	12.5×25	16×25	18×35.5
2200	10×16	10×20	12.5×20	12.5×25	16×25	16×31.5	18×35.5	
3300	10×20	12.5×20	12.5×25	16×25	16×31.5	18×35.5		
4700	12.5×20	12.5×25	16×25	16×31.5	18×35.5			
6800	12.5×25	16×25	16×31.5	18×35.5				
10000	16×25	16×31.5	18×35.5					
15000	16×31.5	18×35.5						
22000	18×35.5							

Please refer to a high-ranking voltage for "→"

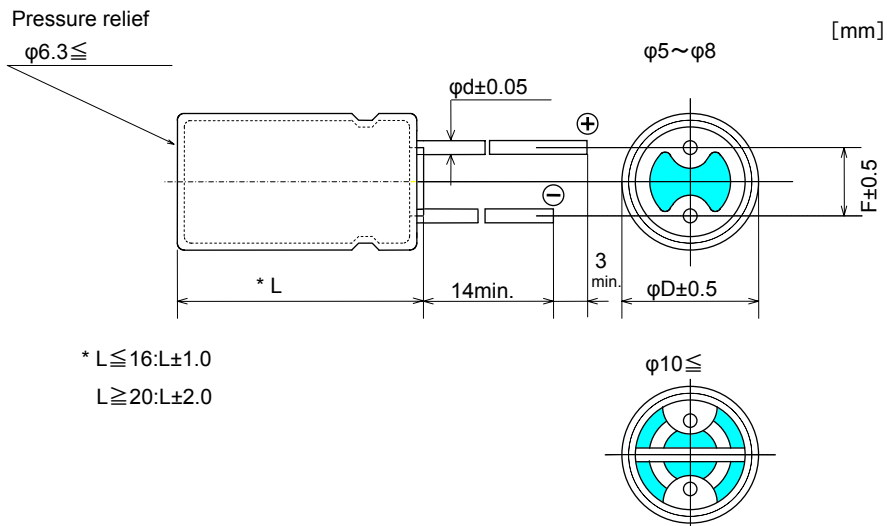


## A type AM series X type

7

3. Dimensions and Appearance

Body Color (Clear Blue) , Marking (White )  
Standard Long Lead (Suffix : Blank)



	[mm]						
Body Dia. $\phi D$	5	6.3	8	10	12.5	16	18
Lead Space F	2.0	2.5	3.5	5.0	5.0	7.5	7.5
Lead Dia. $\phi d$	0.5	0.5	0.6	0.6	0.6	0.8	0.8

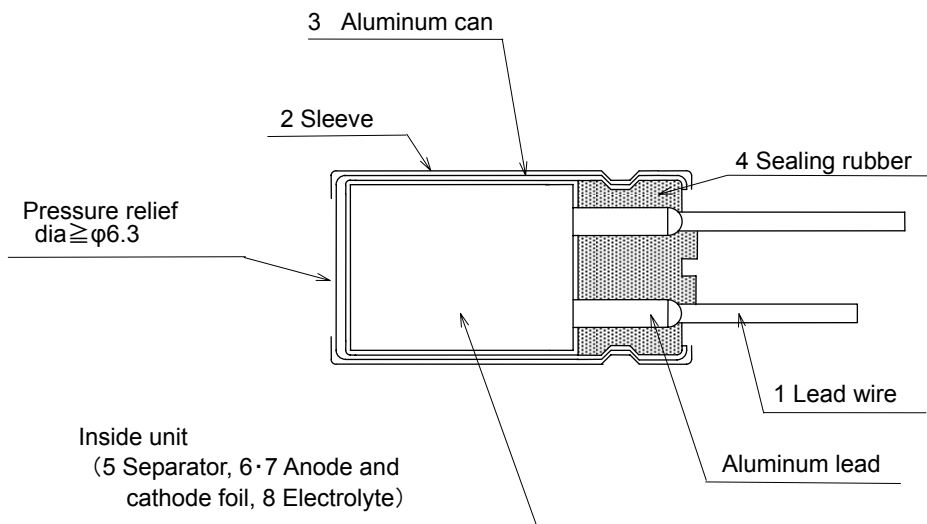
Please refer to L dimension on the parts number lists table.

## A type AM series X type

8

4. Constructions

## 4-1 Inside Construction



## 4-2 Construction Parts

	Parts	Materials		Parts	Materials
1	Lead Wire	Solid tinned copper weld steel wire	5	Separator	Manila hemp
2	Sleeve	Thermoplastic Resin	6	Anode Foil	High purity Aluminum foil
3	Aluminum Can	Aluminum	7	Cathode Foil	Aluminum foil
4	Sealing Rubber	Synthetic rubber (EPT/IIR)	8	Electrolyte	Main Solvent Ethlene glycol
					Main Solute Ammonium salt

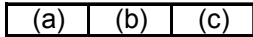
5. Marking

Markings indicated on the products :

- Rated Voltage.
- Capacitance
- Negative Polarity
- Manufacturer's Trademark
- Upper Category Temperature
- Series Code
- Lot No. (It indicates to Lot No. System)

•JAPAN PRODUCTS

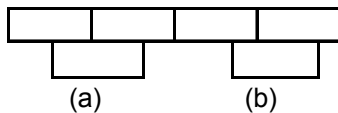
Lot number is indicated on a sleeve in following manner.  
eg. For 04 type, expressed in 3 figures, 4 figures, or 5 figures.



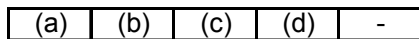
- (a)sequential alphabet for each lot
- (b)month (1 to 9 and O for October, N for November, D for December)
- (c)sequential alphabet for



- As for the display contents of 4 figures, there are 2 kinds
- (1) { (a) last number of year  
(b) month (1 to 9 and O for October, N for November, D for December)  
(c) week (1 to 5 and A to E)  
(d) line code in alphabet (A to Z)
  - (2) { (a) last number of year  
(b) month (1 to 9 and O for October, N for November, D for December)  
(c) line code in alphabet (A to Z)  
(d) production date



- (a) last 2 digit of year
- (b) numerical indication of week (ninth week of 1992=09)



- (a) last number of year
- (b) month (1 to 9 and O for October, N for November, D for December)
- (c) week (1 to 5 and A to E)
- (d) line code

production year	production month		production week	production date	
1:2001	1:January	7:July	A,1: first week	A=1 date	1=27 date
2:2002	2:February	8:August	B,2:second week	B=2	2=28
3:2003	3:March	9:September	C,3: third week	C=3	3=29
4:2004	4:April	O:October	D,4: forth week	∧	4=30
~	5:May	N:November	E,5: fifth week	Y=25	5=31
Indicating with the last digit or the last 2 digits of a year.	6:June	D:December		Z=26	

- \* Lot number can be written in both horizontal and vertical directions.
- \* Manufacturing country for certain products may not be indicated.

※ Letters and marks are also used to distinguish different lines, machines and shifts operation.

•MALAYSIA PRODUCTS

Lot number is indicated on a sleeve in following manner.  
eg. For 04 type, expressed in 4 figures, or 5 figures.

(a)	(b)	(c)	(c)
-----	-----	-----	-----

- (a) last number of year
- (b) month (1 to 9 and O for October, N for November, D for December)
- (c) line code in alphabet (A to Z)

(a)	(b)	(b)	(a)
-----	-----	-----	-----

- (a) last number of year and line code in alphabet (A to Z)
- (b) month (1 to 9 and O for October, N for November, D for December) and production date

(a)	(b)	(c)	(d)	(d)
-----	-----	-----	-----	-----

- (a) last number of year
- (b) month (1 to 9 and O for October, N for November, D for December)
- (c) week (Greece number)
- (d) line code

production year	production month		production week		production date	
1:2001	1:January	7:July	I : first week	A,1: first week	1:1date	B:11date
2:2002	2:February	8:August	II :second week	B,2:second week	2:2date	C:12date
3:2003	3:March	9:September	III: third week	C,3: third week	3:3date	?
4:2004	4:April	O:October	IV: forth week	D,4: forth week	?	U:30date
~	5:May	N:November	V : fifth week	E,5: fifth week	9:9date	V:31date
Indicating with the last digit or the last 2 digits of a year.	6:June	D:December			A:10date	

6. Standard Ratings

No.	Item	Ratings								
1	Category Temperature Range	-40°C ~ +85°C								
2	Rated Voltage Range	6.3 V.DC ~ 100 V.DC								
3	Capacitance Range	0.1 μF ~ 22000 μF (120Hz 20°C)								
4	Capacitance Tolerance	± 20% (120Hz 20°C)								
5	Surge Voltage (V.DC)	R.V.	6.3	10	16	25	35	50	63	100
		S.V.	8	13	20	32	44	63	79	125
6	Rated Ripple Current	Parts Lists and Table3								

## A type AM series X type

12

7. Performance Characteristics

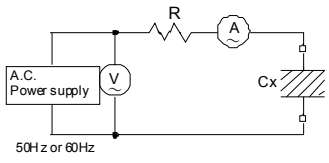
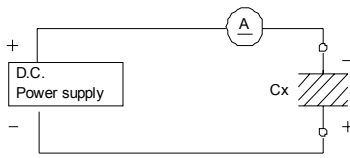
No	Item	Performance Characteristics	Test																		
1	Leakage Current	$\leq I = 0.01CV$ or $3\mu A$ , whichever is greater. I : Leakage current C : Capacitance V : Rated voltage	Series Resistor : $1000\Omega \pm 10\Omega$ Applied Voltage : Rated voltage Measuring : After 2 minutes																		
2	Capacitance	Within the specified capacitance tolerance.	Measuring Frequency : $120 \text{ Hz} \pm 20\%$ Measuring Circuit : Equivalent series circuit Measuring Voltage : $+1.5 \text{ V. DC} \sim +2 \text{ V. DC}$ ( $\leq 0.5 \text{ V}$ for AC.)																		
3	Tangent of Loss Angle ( $\tan\delta$ )	Less than the table 1 value of item 8. Added $0.02$ per $1000\mu\text{F}$ for items with over $1000\mu\text{F}$ .	Measuring Frequency : $120 \text{ Hz} \pm 20\%$ Measuring Circuit : Equivalent series circuit Measuring Voltage : $+1.5 \text{ V. DC} \sim +2 \text{ V. DC}$ ( $\leq 0.5 \text{ V}$ for AC.)																		
4	Characteristics at High and Low Temperature	Step 2																			
		Impedance Ratio : Ratio for the value in step 1 shall be less than the value from table 2 in item 8.	<table border="1"> <thead> <tr> <th>Step</th> <th>Test Temperature (<math>^{\circ}\text{C}</math>)</th> <th>Time</th> </tr> </thead> <tbody> <tr> <td>1</td> <td><math>20 \pm 2</math></td> <td>_____</td> </tr> <tr> <td>2</td> <td><math>-25 \pm 3, -40 \pm 3</math></td> <td>_____ *</td> </tr> <tr> <td>3</td> <td><math>20 \pm 2</math></td> <td>15 minutes</td> </tr> <tr> <td>4</td> <td><math>85 \pm 2</math></td> <td>2 hours</td> </tr> <tr> <td>5</td> <td><math>20 \pm 2</math></td> <td>_____ *</td> </tr> </tbody> </table>	Step	Test Temperature ( $^{\circ}\text{C}$ )	Time	1	$20 \pm 2$	_____	2	$-25 \pm 3, -40 \pm 3$	_____ *	3	$20 \pm 2$	15 minutes	4	$85 \pm 2$	2 hours	5	$20 \pm 2$	_____ *
		Step	Test Temperature ( $^{\circ}\text{C}$ )	Time																	
		1	$20 \pm 2$	_____																	
		2	$-25 \pm 3, -40 \pm 3$	_____ *																	
		3	$20 \pm 2$	15 minutes																	
4	$85 \pm 2$	2 hours																			
5	$20 \pm 2$	_____ *																			
Step 4																					
Leakage Current : $\leq 500\%$ of the value of item 7. 1.																					
Capacitance Change : Within $\pm 25\%$ of the value in step 1																					
Tangent of Loss Angle ( $\tan\delta$ ): $\leq$ the value of item 7. 3.	Impedance should be measured at the frequency of $120 \text{ Hz} \pm 10\%$ . * Capacitors should be stored at each temperature until measured impedance or capacitance is stabilized.																				
5	Surge	Leakage Current : $\leq$ the value of item 7.1. Capacitance Change : Within $\pm 15\%$ of the initially measured value. Tangent of Loss Angle ( $\tan\delta$ ): $\leq$ the value of item 7. 3. Appearance : No significant change can be observed.	Test Temperature : $15^{\circ}\text{C} \sim 35^{\circ}\text{C}$ Series Protective Resistance : $R = \frac{100 \pm 50}{C}$ { R = Series protective resistance (k $\Omega$ ) C = Capacitance ( $\mu\text{F}$ ) } Test Voltage : Surge voltage item 6. 5 Applied Voltage : 1000 cycles of $30\text{s} \pm 5\text{s}$ "ON" and 5 min. $30 \text{ s}$ "OFF"																		

## A type AM series X type

13

No	Item	Performance Characteristics	Test												
6	Robustness of Terminations Tensile Bending	There is no damage or breakage after test.	<table border="1"> <thead> <tr> <th>Diameter [mm]</th> <th>Pull Strength</th> </tr> </thead> <tbody> <tr> <td>φ0.5</td> <td>5 N</td> </tr> <tr> <td>φ0.6 ~ φ0.8</td> <td>10 N</td> </tr> </tbody> </table> <p>Applied above steady pull axially for a 10s±1s</p> <table border="1"> <thead> <tr> <th>Diameter [mm]</th> <th>Static Load</th> </tr> </thead> <tbody> <tr> <td>φ0.5</td> <td>2.5 N</td> </tr> <tr> <td>φ0.6 ~ φ0.8</td> <td>5 N</td> </tr> </tbody> </table> <p>At first, a capacitor is placed in vertical position with the weight specified above being applied to one of leads. Then the capacitor is slowly rotated 90° to horizontal position and subsequently returned to vertical position. The above bending procedure takes for 2s ~ 3s. An additional bending is done in the opposite direction.</p>	Diameter [mm]	Pull Strength	φ0.5	5 N	φ0.6 ~ φ0.8	10 N	Diameter [mm]	Static Load	φ0.5	2.5 N	φ0.6 ~ φ0.8	5 N
Diameter [mm]	Pull Strength														
φ0.5	5 N														
φ0.6 ~ φ0.8	10 N														
Diameter [mm]	Static Load														
φ0.5	2.5 N														
φ0.6 ~ φ0.8	5 N														
7	Vibration	<p>Capacitance : Measured value is to be stabilized during test. (Measured several times within 30 min. before completion of test)</p> <p>Appearance : No significant change can be observed.</p> <p>Capacitance Change : Within ±5% of the initially measured value.</p>	<p>Frequency : 10 Hz ~ 55 Hz (1 minute per cycle.)</p> <p>Total Amplitude : 1.5 mm</p> <p>Direction and Duration of Vibration : It is done in the X, Y, Z axis direction for 2 hours each, with a total of 6 hours.</p> <p>Mounting Method : The capacitor shall be fixed with its lead wires at the point of 4 mm from the bottom of capacitor body. The capacitor with diameter greater than 12.5 mm or longer than 25 mm must be fixed in place with a bracket.</p>												
8	Solderability	More than 3/4 of the terminal surface shall be covered with new solder.	<p>Solder Type : H60A, H60S, or H63A (JIS Z3282)</p> <p>Solder Temperature : 235°C±5°C</p> <p>Immersing Time : 2s±0.5s</p> <p>Immersing Depth : 1.5mm ~ 2.0mm from the root.</p> <p>Flux : Approx. 25% rosin (JIS K5902) in ETHANOL (JIS K8101)</p>												
9	Resistance to Soldering Heat	<p>Leakage Current : ≤ the value of item 7.1.</p> <p>Capacitance Change : Within ±10% of the initially measured value.</p> <p>Tangent of Loss Angle (tanδ): ≤ the value of item 7.3.</p> <p>Appearance : No significant change can be observed.</p>	<p>Solder Type : H60A, H60S, or H63A (JIS Z3282)</p> <p>Solder Temperature : 260°C±5°C</p> <p>Immersing Time : 10s±1s</p> <p>Immersing Depth : 1.5mm ~ 2.0mm from the root.</p>												

A type AM series X type

No	Item	Performance Characteristics	Test																				
10	Solvent Resistance of Marking	There shall be no damage and legible marking. Marking can be easily comprehended.	Class of Reagent : Isopropyl Alcohol Test Temperature : 20°C ~ 25°C Immersing Time : 30s±5s																				
11	Pressure Relief ( More than φ6.3 diameter products )	Pressure relief shall be operated without any hazardous expulsion or emission of flame. No emission of gas after 30 minutes of the voltage application also meets the specification.	<p>AC Current Method</p>  <p>                         (A) : A.C. ammeter R : Series resistor                          (V) : A.C. voltmeter Cx : Tested capacitor                     </p> <p>Applied Voltage :</p> <p>AC voltage equals to rated W. V. × 0.7 or 250 V (rms), whichever is smaller.</p> <table border="1"> <thead> <tr> <th>Capacitance (μF)</th> <th>DC Resistance (Ω)</th> </tr> </thead> <tbody> <tr> <td>≤ 1</td> <td>1000±100</td> </tr> <tr> <td>&gt; 1 ≤ 10</td> <td>100±10</td> </tr> <tr> <td>&gt; 10 ≤ 100</td> <td>10±1</td> </tr> <tr> <td>&gt; 100 ≤ 1000</td> <td>1±0.1</td> </tr> <tr> <td>&gt; 1000 ≤ 10000</td> <td>0.1±0.01</td> </tr> <tr> <td>&gt; 10000</td> <td>*</td> </tr> </tbody> </table> <p>* When capacitance is over 10000μF, the value of series resistance equals to the half of the tested capacitor's impedance.</p> <p>Reverse Voltage Method</p>  <p>(A) : D.C. ammeter Cx : Tested capacitor</p> <table border="1"> <thead> <tr> <th>Nominal Diameter [mm]</th> <th>DC Current (A)</th> </tr> </thead> <tbody> <tr> <td>≤ 22.4</td> <td>1 (const)</td> </tr> <tr> <td>&gt; 22.4</td> <td>10 (const)</td> </tr> </tbody> </table>	Capacitance (μF)	DC Resistance (Ω)	≤ 1	1000±100	> 1 ≤ 10	100±10	> 10 ≤ 100	10±1	> 100 ≤ 1000	1±0.1	> 1000 ≤ 10000	0.1±0.01	> 10000	*	Nominal Diameter [mm]	DC Current (A)	≤ 22.4	1 (const)	> 22.4	10 (const)
Capacitance (μF)	DC Resistance (Ω)																						
≤ 1	1000±100																						
> 1 ≤ 10	100±10																						
> 10 ≤ 100	10±1																						
> 100 ≤ 1000	1±0.1																						
> 1000 ≤ 10000	0.1±0.01																						
> 10000	*																						
Nominal Diameter [mm]	DC Current (A)																						
≤ 22.4	1 (const)																						
> 22.4	10 (const)																						



## A type AM series X type

15

No	Item	Performance Characteristics	Test
12	Damp Heat (Steady state)	Leakage Current : $\leq$ the value of item 7.1. Capacitance Change : Within $\pm 20\%$ of the initially measured value. Tangent of Loss Angle ( $\tan\delta$ ): $\leq 120\%$ the value of item 7. 3. Appearance : No significant change can be observed.	Test Temperature : $40^{\circ}\text{C}\pm 2^{\circ}\text{C}$ Relative Humidity : $90\% \sim 95\%$ Test Duration : 240hours $\pm 8$ hours  After subjected to the test, capacitors shall be left for 2 hours at room temperature and room humidity prior to the measurement.
13	Endurance	Leakage Current : $\leq$ the value of item 7.1. Capacitance Change : Within $\pm 20\%$ of the initially measured value. Tangent of Loss Angle ( $\tan\delta$ ): $\leq 150\%$ of the value of item 7. 3. Appearance : No significant change can be observed.	Test Temperature : $85^{\circ}\text{C}\pm 2^{\circ}\text{C}$ Test Duration : 2000 $^{+72}_0$ hours Applied Voltage : Rated voltage  After subjected to the test, capacitors shall be left at room temperature and room humidity for 2 hours prior to the measurement.
14	Shelf Life	Leakage Current : $\leq$ the value of item 7.1. Capacitance Change : Within $\pm 20\%$ of the initially measured value. Tangent of Loss Angle ( $\tan\delta$ ): $\leq 150\%$ of the value of item 7. 3. Appearance : No significant change can be observed.	Test Temperature : $85^{\circ}\text{C}\pm 2^{\circ}\text{C}$ Test Duration : 1000 $^{+48}_0$ hours  After subjected to the test with no voltage applied, capacitors shall undergo voltage treatment* and be left for 2 hours at room temperature and humidity prior to the measurement.

\* Voltage treatment : The rated voltage shall be applied to the capacitors, which are connected to series protective resistors ( $1000\Omega\pm 10\Omega$ ), for 30 minutes as a posttest treatment (performing discharge).

**8. Other Characteristics**■ Table 1. Tangent of Loss Angle( $\tan\delta$ )

V.DC	6.3	10	16	25	35	50	63	100
D.F.	0.28	0.24	0.20	0.16	0.14	0.12	0.11	0.10

Added 0.02 per 1000 $\mu$ F for items with over 1000 $\mu$ F items.

■ Table 2. Characteristics at low temperature Impedance ratio (at 120 Hz)

V.DC	6.3	10	16	25	35	50	63	100
Z(-25°C)/Z(20°C)	5	4	3	2	2	2	2	2
Z(-40°C)/Z(20°C)	12	10	8	5	4	3	3	3

-25°C : Added 0.5 per 1000 $\mu$ F for items with over 1000 $\mu$ F items.

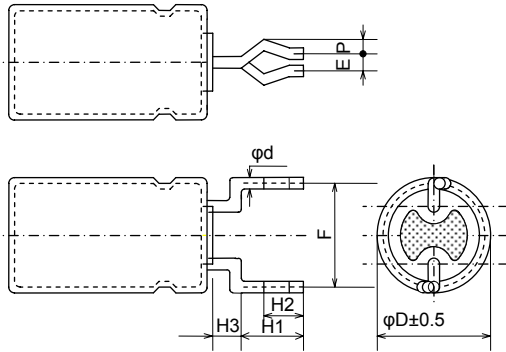
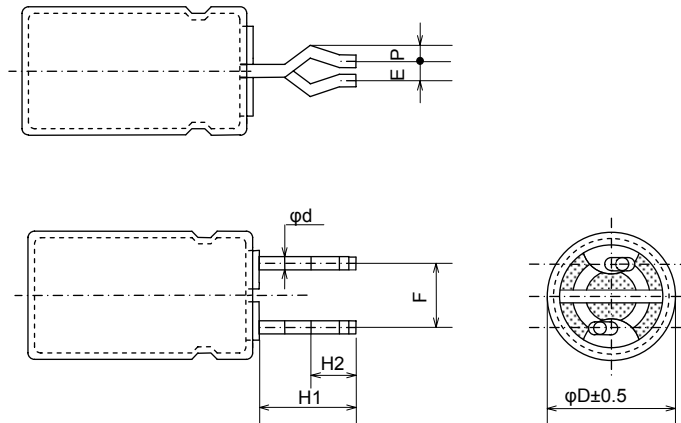
-40°C : Added 1.0 per 1000 $\mu$ F for items with over 1000 $\mu$ F items.

■ Table 3. Frequency Correction Factor of Rated Ripple Current

	Frequency (Hz)			
	50,60	120	1k	10k~
Coefficient	0.7	1	1.3	1.7

## A type AM series X type

17

9. Snap-In Lead Formed Type ( Part No. Suffix : E ) $\phi 5 \sim \phi 8$  $\phi 10 \sim \phi 18$ 

\* Direction of bending is random.

$\phi D$	$H1 \pm 0.5$	H2	H3 max.	$F \pm 0.5$	P	E max.	$\phi d \pm 0.05$	P.W.B [mm]	
								$\phi$	t
5	4.5	2.7	2.5	5.0	1.00	1.0	0.50	0.9	1.6
6.3	4.5	2.7	2.5	5.0	1.00	1.0	0.50	1.0	1.6
8	4.5	2.7	2.5	5.0	1.00	1.0	0.60	1.0	1.6
10	4.5	2.7	—	5.0	1.00	1.0	0.60	1.0	1.6
12.5	4.5	2.7	—	5.0	1.00	1.0	0.60	1.0	1.6
16	4.5	2.7	—	7.5	0.90	1.0	0.80	1.1	1.6
18	4.5	2.7	—	7.5	0.90	1.0	0.80	1.1	1.6

\* The lead forming dimensions above shall only be subjected to our outgoing inspection and not to the customer's incoming inspection.  
Due to the application of mechanical stress during transportation, actual dimensions might not meet the specification.

## A type AM series X type

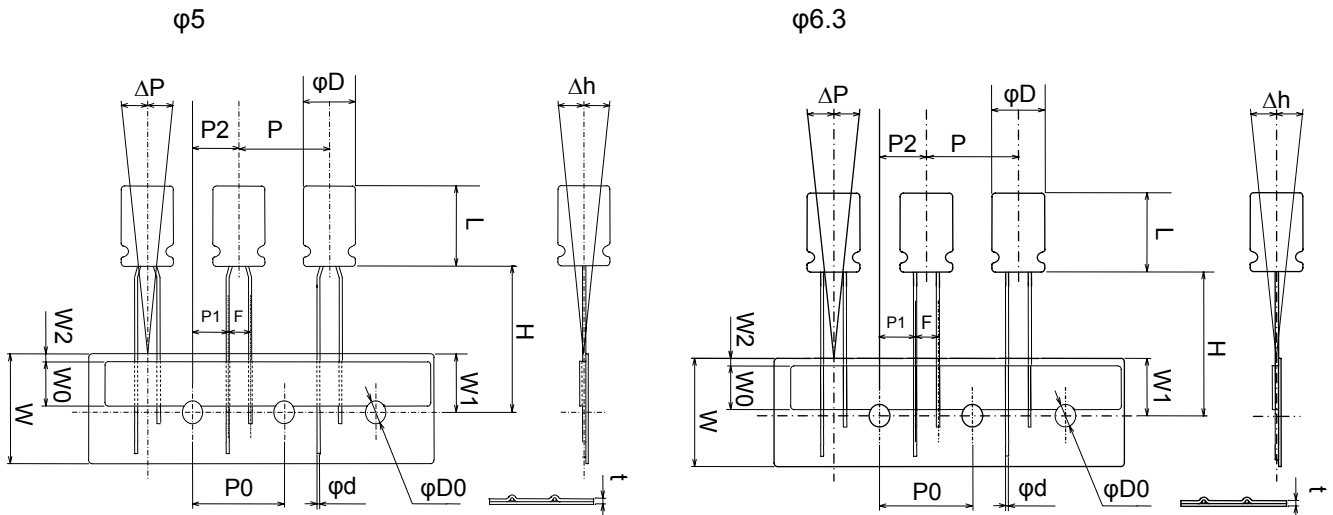
18

10. Lead Taping10-1. Lead Taping ( Body Diameter  $\phi 5 \sim \phi 6.3$  ) The Suffix of Taping Part Number : i

## 1) Applicable Range

This specification is applied to products, which are Aluminum Electrolytic Capacitors (JIS04 type) that taped with single tape.

## 2) Taping Shape &amp; Dimensions



[mm]

Item	Symbol	Dimensions	Tolerance	Remarks
Body diameter	$\phi D$	5      6.3	$\pm 0.5$	
Body length	L	11.0 ~ 11.2	—	
Lead wire diameter	$\phi d$	0.5	$\pm 0.05$	
Body pitch	P	12.7	$\pm 1.0$	
Feed hole pitch *1	P0	12.7	$\pm 0.2$	
Hole center to lead	P1	5.1	$\pm 0.5$	Specified by the contact surface between tape & lead
Feed hole center to product center	P2	6.35	$\pm 1.00$	
Lead to lead distance	F	2.5	$\pm 0.5$	Specified by the contact surface between tape & lead
Mount tape	W	18.0	$\pm 0.5$	
Adhesive tape	W0	$6.0 \leq$	—	
Hole position	W1	9.0	$\pm 0.5$	
Adhesive tape slipping	W2	$0 \sim 1.5$	—	
Height of product from the center	H	18.50	+0.75 -0.50	
Feed hole diameter	$\phi D0$	4.0	$\pm 0.2$	
Inclination of body	$\Delta h$	$1.0 \geq$	—	Specified by the top of an aluminum can
Inclination of body	$\Delta P$	$1.0 \geq$	—	Specified by the top of an aluminum can
Total tape thickness	t	0.6	$\pm 0.3$	CP wire is excluded

\*1 Cumulative deviation of "feed hole pitch" shall be less than 1 mm in 20 sections.

## A type AM series X type

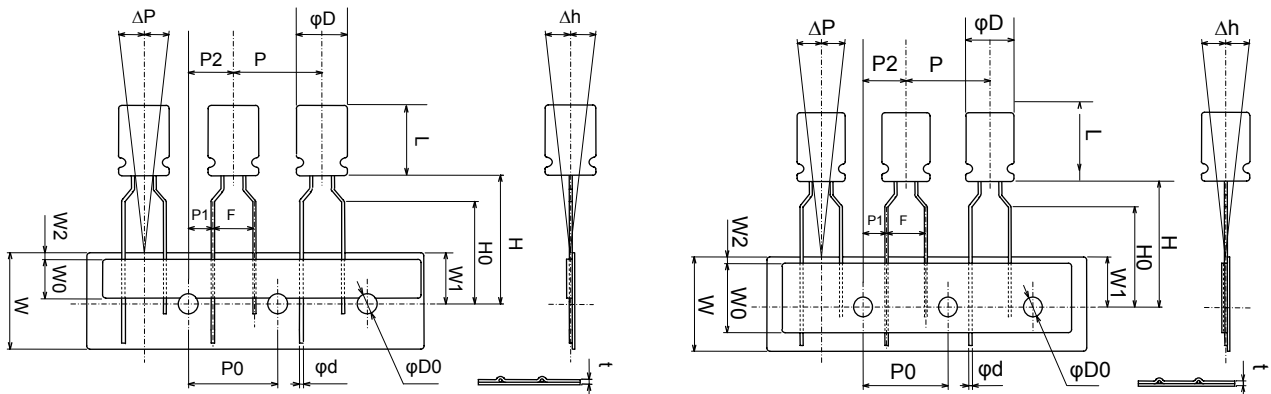
19

**10-2. Lead Taping ( Body Diameter  $\phi 5 \sim \phi 8$  )** The Suffix of Taping Part Number : B

## 1) Applicable Range

This specification is applied to products, which are Aluminum Electrolytic Capacitors (JIS04 type) that taped with single tape.

## 2) Taping Shape &amp; Dimensions

 $\phi 5, \phi 6.3$  $\phi 8$ 

[mm]

Item	Symbol	Dimensions	Tolerance	Remarks
Body diameter	$\phi D$	5   6.3   8	$\pm 0.5$	
Body length	L	11.0 ~ 11.5	—	
Lead wire diameter	$\phi d$	0.5   0.6	$\pm 0.05$	
Body pitch	P	12.7	$\pm 1.0$	
Feed hole pitch *1	P0	12.7	$\pm 0.2$	
Hole center to lead	P1	3.85	$\pm 0.5$	Specified by the contact surface between tape & lead
Feed hole center to product center	P2	6.35	$\pm 1.00$	
Lead to lead distance	F	5.0	+0.8 -0.2	Specified by the contact surface between tape & lead
Mount tape	W	18.0	$\pm 0.5$	
Adhesive tape	W0	6.0 $\cong$	—	
Hole position	W1	9.0	$\pm 0.5$	
Adhesive tape slipping	W2	0 ~ 1.5	—	
Height of product from the center	H	18.5   20.0	+0.75 -0.50	
Lead wire clinch height	H0	16.0	$\pm 0.5$	
Feed hole diameter	$\phi D0$	4.0	$\pm 0.2$	
Inclination of body	$\Delta h$	1.0 $\cong$	—	Specified by the top of an aluminum can
Inclination of body	$\Delta P$	1.0 $\cong$	—	Specified by the top of an aluminum can
Total tape thickness	t	0.6	$\pm 0.3$	CP wire is excluded

\*1 Cumulative deviation of "feed hole pitch" shall be less than 1 mm in 20 sections.

\*2 Lead forming angle  
A=90° min



## A type AM series X type

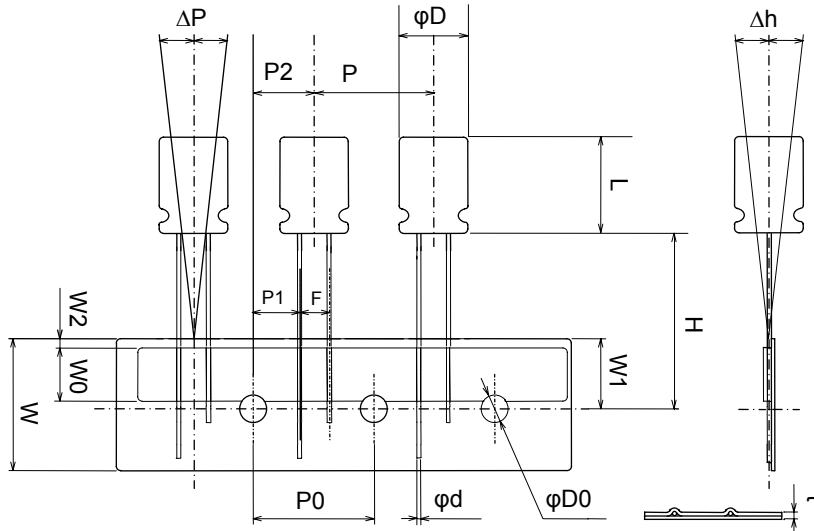
20

**10-3. Lead Taping ( Body Diameter  $\phi 10$  , $\phi 12.5$  )** The Suffix of Taping Part Number : B

## 1) Applicable Range

This specification is applied to products, which are Aluminum Electrolytic Capacitors (JIS04 type) that taped with single tape.

## 2) Taping Shape &amp; Dimensions



[mm]

Item	Symbol	Dimensions	Tolerance	Remarks
Body diameter	$\phi D$	10      12.5	$\pm 0.5$	
Body length	L	12.5 ~ 25.0	—	
Lead wire diameter	$\phi d$	0.60	$\pm 0.05$	
Body pitch	P	12.7      15.0	$\pm 1.0$	
Feed hole pitch *1	P0	12.7      15.0	$\pm 0.2$	
Hole center to lead	P1	3.85      5.00	$\pm 0.5$	Specified by the contact surface between tape & lead
Feed hole center to product center	P2	6.35      7.50	$\pm 1.00$	
Lead to lead distance	F	5.0	+0.8 -0.20	Specified by the contact surface between tape & lead
Mount tape	W	18.0	$\pm 0.5$	
Adhesive tape	W0	6.0 $\leq$	—	
Hole position	W1	9.0	$\pm 0.5$	
Adhesive tape slipping	W2	0 ~ 1.5	—	
Height of product from the center	H	18.50	+0.75 -0.50	
Feed hole diameter	$\phi D0$	4.0	$\pm 0.2$	
Inclination of body	$\Delta h$	1.0 $\geq$	—	Specified by the top of an aluminum can
Inclination of body	$\Delta P$	1.0 $\geq$	—	Specified by the top of an aluminum can
Total tape thickness	t	0.6	$\pm 0.3$	CP wire is excluded

\*1 Cumulative deviation of "feed hole pitch" shall be less than 1 mm in 20 sections.

## A type AM series X type

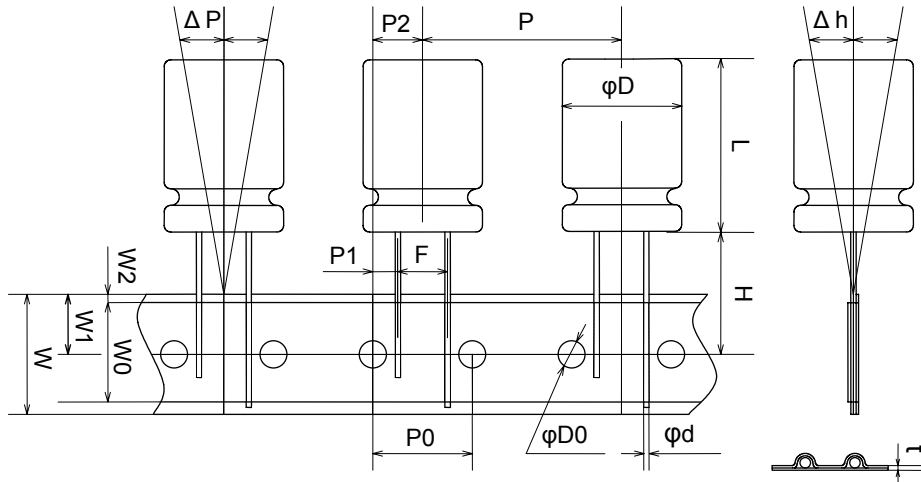
21

**10-4. Lead Taping ( Body Diameter  $\phi 16$  )** The Suffix of Taping Part Number : B

## 1) Applicable Range

This specification is applied to products, which are Aluminum Electrolytic Capacitors (JIS04 type) that taped with single tape.

## 2) Taping Shape &amp; Dimensions



[mm]

Item	Symbol	Dimensions	Tolerance	Remarks
Body diameter	$\phi D$	16	$\pm 0.5$	
Body length	L	25.0	—	
Lead wire diameter	$\phi d$	0.80	$\pm 0.05$	
Body pitch	P	30.0	$\pm 1.0$	
Feed hole pitch *1	P0	15.0	$\pm 0.2$	
Hole center to lead	P1	3.75	$\pm 0.5$	Specified by the contact surface between tape & lead
Feed hole center to product center	P2	7.5	$\pm 1.00$	
Lead to lead distance	F	7.5	$\pm 0.5$	Specified by the contact surface between tape & lead
Mount tape	W	18.0	$\pm 0.5$	
Adhesive tape	W0	$6.0 \leq$	—	
Hole position	W1	9.0	$\pm 0.5$	
Adhesive tape slipping	W2	$0 \sim 1.5$	—	
Height of product from the center	H	18.50	+0.75 -0.50	
Feed hole diameter	$\phi D0$	4.0	$\pm 0.2$	
Inclination of body	$\Delta h$	$2.0 \geq$	—	Specified by the top of an aluminum can
Inclination of body	$\Delta P$	$1.3 \geq$	—	Specified by the top of an aluminum can
Total tape thickness	t	0.6	$\pm 0.3$	CP wire is excluded

\*1 Cumulative deviation of "feed hole pitch" shall be less than 1 mm in 20 sections.

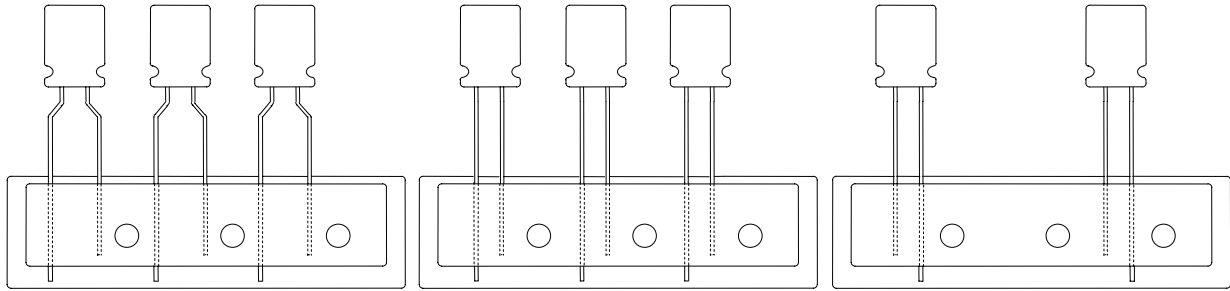
## A type AM series X type

22

11. Taping Method

- 11-1 The capacitors shall be placed vertically on the base tape, and their lead wires are fixed with the adhesive tape. In addition, the direction of polarity is standardized as the base tape is situated underneath of an adhesive tape, and lead wires with the same polarity are placed on the right hand side (the direction of polarity for bipolar products is not specified).

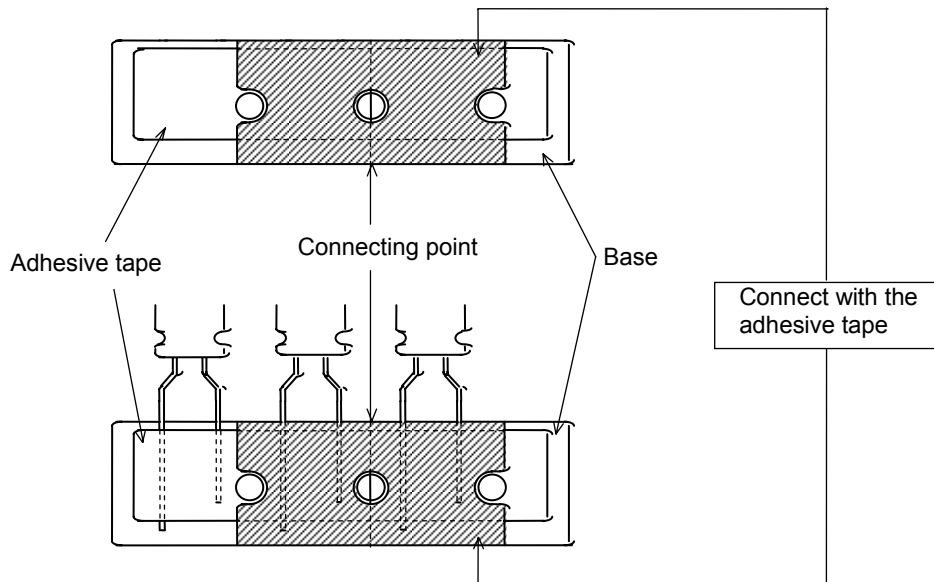
(Examples)



\*Polarity direction

$\phi 5 \sim \phi 12.5$  : Negative polarity on the right.  
 $\phi 16$  : Positive polarity on the right.

- 11-2 After taping, there shall be no more than three blank spaces without lead wires on the base tape. The number of blank spaces within a packing unit (an inner carton) is not restricted, however, the specified packing quantity must be satisfied.
- 11-3 The connection method is as follows. The portion shall meet the general taping specification. The position of connection shall not be restricted.



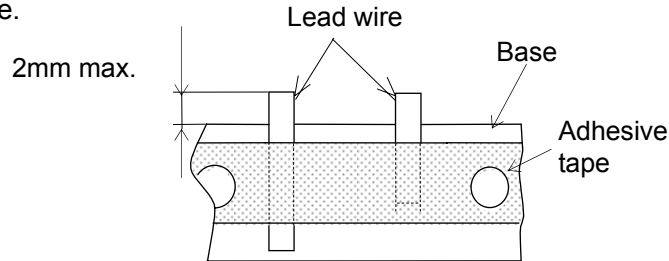
Note ) When connecting two base tapes, they shall not be piled on top of each other. Base tapes shall not be connected with each other by using staples.



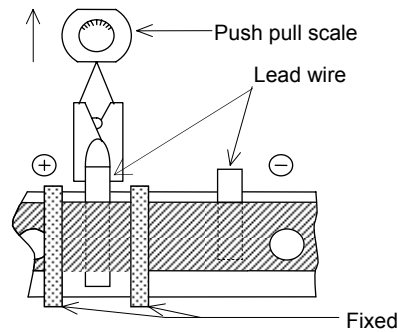
## A type AM series X type

23

- 11-4 In case of removing the products after taping, lead wires shall be cut or the capacitor shall be pulled out.  
The length of remaining lead wire shall be less than 2.0 mm from the upper edge of the base tape.



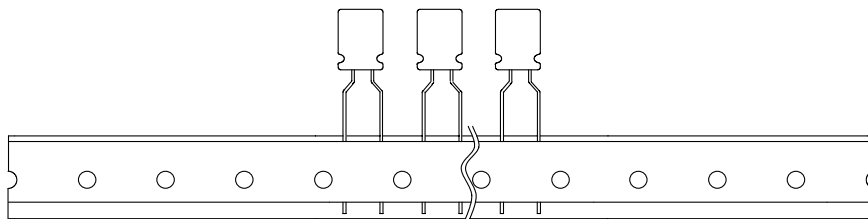
- 11-5 Tensile strength of lead wire after taping (specified for the positive lead wire only) :  
Fix the tape as below and pull the positive lead wire to the vertical direction by using the push pull scale.  
The tensile strength shall be greater than 2.94 N.



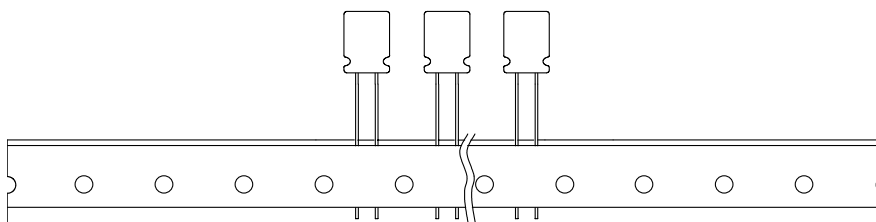
After continuously storing in an atmosphere of  $40^{\circ}\text{C}\pm 2^{\circ}\text{C}$  and 90% ~ 98% for 250 hours, the taped products shall meet the specification above, and there shall be no inclination of the capacitors or covering of holes with the adhesive.

- 11-6 The leader is the spot where more than 4pcs capacitors are lacked at the both ends of taping. ( $\geq \phi 10$ )

Example-1



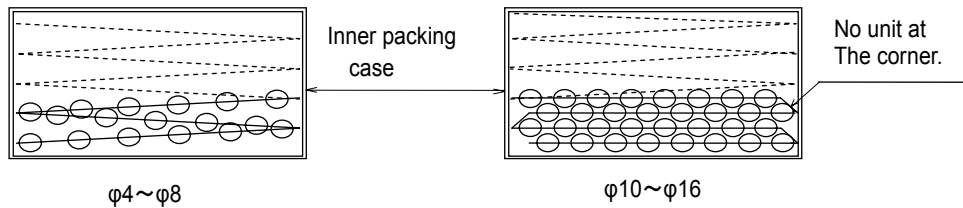
Example-2



**12. Packing Method**

12-1 Taped products shall be packed in an inner carton ( the smallest packing unit ) in the zigzag pattern. In an inner carton, the lead wires with positive polarity are not to be placed on the top of lead wires with negative polarity and vice versa (however, the last sentence does not apply to bipolar products).

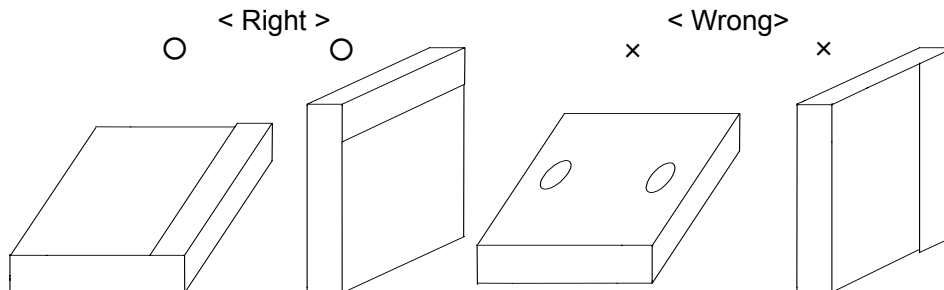
(Examples)



12-2 Polarity identifications on an inner carton shall match the polarity of products situated inside the inner carton.

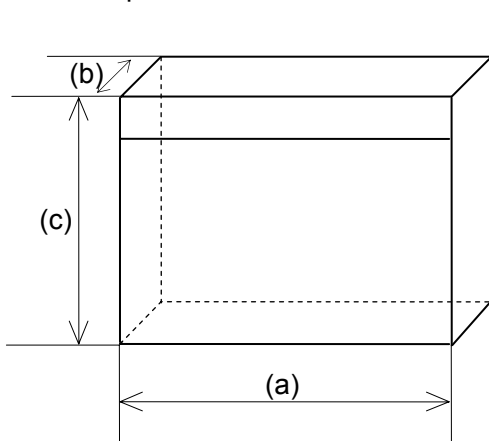
12-3 Inner cartons shall be handled as follows.

- \* No more than 10 inner cartons shall be piled on top of each other.
- \* In case of situating cartons in upright position, the indication of polarity shall be faced upward.
- \* The products shall be handled with care.



12-4 The inner cartons shall be packed in a cardboard box for transportation. Products with various part numbers can be packed in an outer carton upon request. However, each inner carton (the smallest packing unit) shall only contain products with the same part number.

12-5 The shape & dimensions of inner cartons shall be as follows.



Can size		[mm]		
φD	L	(a)	(b)	(c)
φ5 ~ φ8	~ 11.5	340	55	320
φ10	~ 16	340	55	320
	20	340	62	320
φ12.5	20	340	65	320
	25	340	66	330
φ16	25	340	66	330

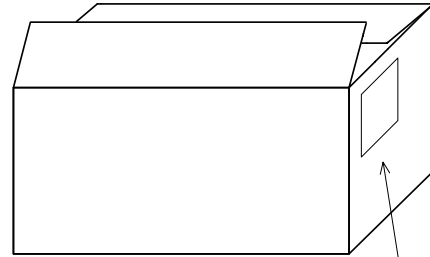
Note : The dimensions listed above are subject to change without notice, depending on the auto-insert machine.

**Label information on the packing box.**

The label has following information in English

- a) Rated Voltage, Capacitance
- b) Manufacturer's Trademark
- c) Part Number
- d) Packing Quantity
- e) Serial No.
- f) Manufacturer's Name
- g) Country of Origin

Package Label Example  
Long lead , Lead formed Outer Box



Long lead , Lead formed (Unit:pcs)

Can size	Long lead		Lead formed	
	Packaging Quantity	Packaging Quantity per box	Packaging Quantity	Packaging Quantity per box
φ5x11	200	10000	200	10000
φ6.3x11.2	200	5000	200	5000
φ8x11.5	200	4000	200	4000
φ10x12.5 ~φ10x20	200	2000	200	2000
φ12.5x20 ~φ12.5x25	200	2000	200	1000
φ16x25 ~φ16x31.5	100	1000	100	500
φ18x31.5 ~φ18x40	50	500	50	200

Contents of label description

- (1) Customer Part No.
- (2) Quantity
- (3) Rated Capacitance
- (4) Voltage
- (5) Can Size
- (6) Product Part No.

<JAPAN PRODUCTS>

Customer Part No. (1) G

(3N) 1 (1) (2)

(3N) 2 Y5201R41A001 108010

FIXED ALUMINIUM ELECTROLYTIC CAPACITOR

(6) (3) uF (4) V

(2) (5) φ × L

Serial No. Y5201R41A001  
Panasonic Electronic Devices Co.,Ltd.

**Panasonic** (M) MADE IN JAPAN EIAJ C-3 0 0 1

Package Material

	Long lead
	Lead formed
Inner	Vinyl bag
Outer	Card board

<MALAYSIA PRODUCTS>

(1) Production month G

(3N) 1 (1) (2) (3) uF

(3N) 2 D0002R03D428 108010 (4) V

FIXED ALUMINIUM ELECTROLYTIC CAPACITOR (5) φ × L

Serial No. D0002R03D428

(6) (2)

**Panasonic** (M) Panasonic Electronic Devices (M) Sdn. Bhd. PCS  
EIAJ-C3 PEDMA(SA) Made in Malaysia

Label information on the packing box.

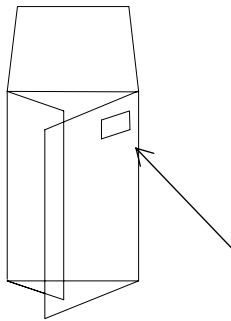
The label has following information in English

- a) Rated Voltage, Capacitance
- b) Manufacturer's Trademark
- c) Part Number
- d) Packing Quantity
- e) Serial No.
- f) Manufacturer's Name
- g) Country of Origin

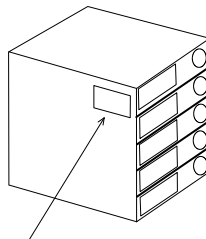
Taping (Unit:pcs)

Can size	Box	
	Packaging Quantity	Packaging Quantity per box
φ5	2000	10000
φ6.3	2000	10000
φ8	1000	5000
φ10	500	2000
φ12.5	500	2000
φ16	250	1000

Package Label Example Taping Outer Box



or



Contents of label description

- (1) Customer Part No.
- (2) Quantity
- (3) Rated Capacitance
- (4) Voltage
- (5) Can Size
- (6) Product Part No.

<JAPAN PRODUCTS>

Customer Part No.	(1)	G
(3N) 1	(1)	(2)
(3N) 2	Y5201R41A001	108010
FIXED ALUMINIUM ELECTROLYTIC CAPACITOR		
(6)	(3) uF	(4) V
(2)	(5) φ × L	
Serial No. Y5201R41A001		
Panasonic Electronic Devices Co., Ltd.		
Panasonic M MADE IN JAPAN EIAJ C-3 0 0 1		

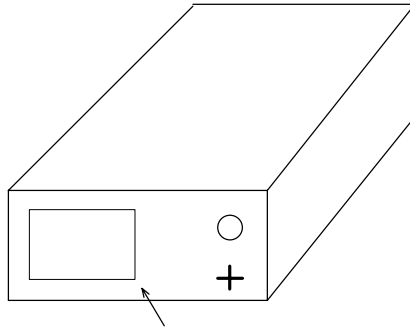
<MALAYSIA PRODUCTS>

Customer Part No.	Production month	G
(3N) 1	(1)	(2)
(3N) 2	D0002R03D428	108010
FIXED ALUMINIUM ELECTROLYTIC CAPACITOR		
(6)	(3) uF	(4) V
(2)	(5) φ × L	
Serial No. D0002R03D428		
Panasonic M Panasonic Electronic Devices (M) Sdn. Bhd.		
EIAJ-C3 PEDMA (SA) Made in Malaysia		
PCS		

Package Material

	Taping
Inner	Card board
Outer	Card board

Taping Inner Box



Contents of label description

- (1) Customer Part No.
- (2) Quantity
- (3) Rated Capacitance
- (4) Voltage
- (5) Can Size
- (6) Product Part No.

## &lt;JAPAN PRODUCTS&gt;

Customer Part No.			G	(3) uF	(4) V
(1)	(1)	(2)		(5) $\phi$ × L	
(3N) 1			Serial No. Y5201R41A001		
(3N) 2	Y5201R41A001	108010	(2)	PCS.	
FIXED ALUMINIUM ELECTROLYTIC CAPACITORS					
Panasonic M Panasonic Electronic Devices Co., Ltd. EIAJ C-3 MADE IN JAPAN 0 0 1					
(6)					

## &lt;MALAYSIA PRODUCTS&gt;

Customer Part No.			Production month	G
(1)	(1)	(2)	(3) uF	
(3N) 1			(4) V	
(3N) 2	D0002R03D428	108010	(5) $\phi$ × L	
FIXED ALUMINIUM ELECTROLYTIC CAPACITOR				Serial No.
(6)				D0002R03D428
Panasonic M Panasonic Electronic Devices (M) Sdn. Bhd				(2)
EIAJ-C3 PEDMA(SA) Made in Malaysia				PCS.

Storage

1. With respect to the handling method, follow Item 12-3 in this specification.
2. Products shall be out of direct sun light. In addition, the temperature and humidity shall be normal.

Minimum order quantity

The order shall be placed with a multiple of the inner carton quantity.

Examples : $\phi 5 \sim \phi 6.3$	:	minimum	2000 pcs
$\phi 8$	:	minimum	1000 pcs
$\phi 10 \sim \phi 12.5$	:	minimum	500 pcs
$\phi 16$	:	minimum	250 pcs

- \* This specification guarantees the quality and performance of the product as individual components.  
Before use, check and evaluate their compatibility with installed in your products.
- \* Do not use the products beyond the specifications described in this document.
- \* Install the following systems for a failsafe design to ensure safety if these products are to be used in equipment where a defect in these products may cause the loss of human life or other significant damage, such as damage to vehicles (automobile, train, vessel), traffic lights, medical equipment, aerospace equipment, electric heating appliances, combustion/ gas equipment, rotating equipment, and disaster/crime prevention equipment.
  - The system is equipped with a protection circuit and protection device.
  - The system is equipped with a redundant circuit or other system to prevent an unsafe status in the event of a single fault.
- \* Before using the products, carefully check the effects on their quality and performance, and determined whether or not they can be used.  
These products are designed and manufactured for general-purpose and standard use in general electronic equipment.  
These products are not intended for use in the following special conditions.
  1. In liquid, such as Water, Oil, Chemicals, or Organic solvent
  2. In direct sunlight, outdoors, or in dust
  3. In vapor, such as dew condensation water of resistive element, or water leakage, salty air, or air with a high concentration corrosive gas, such as Cl<sub>2</sub>, H<sub>2</sub>S, NH<sub>3</sub>, SO<sub>2</sub>, or NO<sub>2</sub>
  4. In an environment where strong static electricity or electromagnetic waves exist
  5. Mounting or placing heat-generating components or inflammables, such as vinyl-coated wires, near these products
  6. Sealing or coating of these products or a printed circuit board on which these products are mounted, with resin and other material
  7. Using solvent, water or water-soluble cleaner for flux cleaning agent after soldering.  
(In particular, when using water or a water-soluble cleaning agent, be careful not to leave water residues)
- \* Please arrange circuit design for preventing impulse or transitional voltage.  
Do not apply voltage, which exceeds the full rated voltage when the capacitors receive impulse voltage, instantaneous high voltage, high pulse voltage etc.
- \* Electrolyte is used in the products. Therefore, misuse can result in rapid deterioration of characteristics and functions of each product.  
Electrolyte leakage damages printed circuit and affects performance, characteristics, and functions of customer system.

## 1. Circuit Design

### 1.1 Operating Temperature and Frequency

Electrical parameters for electrolytic capacitors are normally specified at 20 °C temperature and 120 Hz frequency. These parameters vary with changes in temperature and frequency. Circuit designers should take these changes into consideration.

- (1) Effects of operating temperature on electrical parameters
  - a) At higher temperatures, leakage current and capacitance increase while equivalent series resistance (ESR) decreases.
  - b) At lower temperatures, leakage current and capacitance decrease while equivalent series resistance (ESR) increases.
- (2) Effects of frequency on electrical parameters
  - a) At higher frequencies, capacitance and impedance decrease while tanδ increases.
  - b) At lower frequencies, heat generated by ripple current will rise due to an increase in equivalent series resistance (ESR).

### 1.2 Operating Temperature and Life Expectancy

- (1) Expected life is affected by operating temperature. Generally, each 10 °C reduction in temperature will double the expected life.  
Use capacitors at the lowest possible temperature below the upper category temperature.
- (2) If operating temperatures exceed the upper category limit, rapid deterioration of electrical parameter will occur and irreversible damage will result.  
Check for the maximum capacitor operating temperatures including ambient temperature, internal capacitor temperature rise due to ripple current, and the effects of radiated heat from power transistors, IC's or resistors.  
Avoid placing components, which could conduct heat to the capacitor from the back side of the circuit board.
- (3) The formula for calculating expected life at lower operating temperatures is as follows ;

$$L_2 = L_1 \times 2^{\frac{T_1 - T_2}{10}}$$

L<sub>1</sub> : Guaranteed life (h) at temperature, T<sub>1</sub> °C

L<sub>2</sub> : Expected life (h) at temperature, T<sub>2</sub> °C

T<sub>1</sub> : Upper category temperature (°C)

T<sub>2</sub> : Actual operating temperature, ambient temperature + temperature rise due to ripple current heating(°C)

- (4) Please use according to the lifetime as noted in this specification. Using products beyond end of the lifetime may change characteristics rapidly, short-circuit, operate pressure relief vent, or leak electrolyte.

### 1.3 Common Application Conditions to Avoid

The following misapplication load conditions will cause rapid deterioration of a capacitor's electrical parameters.

In addition, rapid heating and gas generation within the capacitor can occur, causing the pressure relief vent to operate and resultant leakage of electrolyte. Under extreme conditions, explosion and fire ignition could result.

The leaked electrolyte is combustible and electrically conductive.

#### (1) Reverse Voltage

DC capacitors have polarity. Verify correct polarity before insertion. For circuits with changing or uncertain polarity, use DC bipolar capacitors. DC bipolar capacitors are not suitable for use in AC circuits.

#### (2) Charge / Discharge Applications

Standard capacitors are not suitable for use in repeating charge/discharge applications. For charge/ discharge applications, consult us with your actual application condition.

#### (3) Over voltage

Do not apply voltages exceeding the maximum specified rated voltage. Voltages up to the surge voltage rating are acceptable for short periods of time.

Ensure that the sum of the DC voltage and the superimposed AC ripple voltage does not exceed the rated voltage.

#### (4) Ripple Current

Do not apply ripple currents exceeding the maximum specified value. For high ripple current applications, use a capacitor designed for high ripple currents. In addition, consult us if the applied ripple current is to be higher than the maximum specified value.

Ensure that rated ripple currents that superimposed on low DC bias voltages do not cause reverse voltage conditions.

### 1.4 Using Two or More Capacitors in Series or Parallel

#### (1) Capacitors Connected in Parallel

The circuit resistance can closely approximate the series resistance of the capacitor, causing an imbalance of ripple current loads within the capacitors. Careful wiring methods can minimize the possible application of an excessive ripple current to a capacitor.

#### (2) Capacitors Connected in Series

Differences in normal DC leakage current among capacitors can cause voltage imbalances.

The use of voltage divider shunt resistors with consideration to leakage currents can prevent capacitor voltage imbalances.

### 1.5 Capacitor Mounting Considerations

#### (1) Double-Sided Circuit Boards

Avoid wiring pattern runs, which pass between the mounted capacitor and the circuit board. When dipping into a solder bath, an excess solder may deposit under the capacitor by capillary action, causing short circuit between anode and cathode terminals.

#### (2) Circuit Board Hole Positioning

The vinyl sleeve of the capacitor can be damaged if solder passes through a lead hole into the subsequently processed parts.

Special care when locating hole positions in proximity to capacitors is recommended.

#### (3) Circuit Board Hole Spacing

The spacing of circuit board holes should match the lead wire spacing of capacitors within the specified tolerances.

Incorrect spacing can cause an excessive lead wire stress during the insertion process.

This may result in premature capacitor failure due to the short or open circuit, increased leakage current, or electrolyte leakage.

#### (4) Clearance for Case Mounted Pressure Relief

Capacitors with case mounted pressure relief require sufficient clearance to allow proper pressure relief operation.

The minimum clearances are dependent of capacitor diameters as follows.

Dia. 6.3 mm ~Dia. 16 mm : 2 mm minimum, Dia. 18 mm ~Dia. 35 mm : 3 mm minimum, Dia 40 mm or greater : 5 mm minimum.

#### (5) Clearance for Seal Mounted Pressure Relief

Provide a hole on a circuit board to relieve gas when a pressure relief of a capacitor is situated underneath of the circuit board.

#### (6) Wiring Near the Pressure Relief

Avoid locating high voltage, high current wiring, or circuit board paths above the pressure relief.

Flammable, high temperature gas that exceeds 100 °C may be released and could dissolve the wire insulation and ignite.

#### (7) Circuit Board Patterns Under the Capacitor

Avoid circuit board runs underneath the capacitor, as an electrical short can occur due to an electrolyte leakage.

#### (8) Screw Terminal Capacitor Mounting

Do not orient the capacitor with the screw terminal side of the capacitor facing downward.

Tighten the terminal and mounting bracket screws within the torque range specified in the specification.

### 1.6 Electrical Isolation of the Capacitor

Completely isolate the capacitor as follows.

#### (1) Between the cathode and the case (except for axially leaded B types) and between the anode terminal and other circuit paths.

#### (2) Between the extra mounting terminals (on T types) and the anode terminal, cathode terminal, and other circuit paths.

### 1.7 Capacitor Sleeve

The vinyl sleeve or laminate coating is intended for marking and identification purposes and is not meant to electrically insulate the capacitor.

The sleeve may split or crack if immersed into solvents such as toluene or xylene and then subsequently exposed to high temperatures.

**2. Capacitor Handling Techniques****2.1 Considerations Before Using**

- (1) Capacitors have a finite life. Do not reuse or recycle capacitors from used equipment.
- (2) Transient recovery voltage may be generated in the capacitor due to dielectric absorption. If required, this voltage can be discharged with a resistor with a value of about  $1k\Omega$ .
- (3) Capacitors stored for a long period of time may exhibit an increase in leakage current. This can be corrected by gradually applying rated voltage in series with a resistor of approximately  $1k\Omega$ .
- (4) If capacitors are dropped, they can be damaged mechanically or electrically. Avoid using dropped capacitors.
- (5) Dented or crushed capacitors should not be used. The seal integrity can be damaged and loss of electrolyte/shortened life can result.

**2.2 Capacitor Insertion**

- (1) Verify the correct capacitance and rated voltage of the capacitor.
- (2) Verify the correct polarity of the capacitor before insertion.
- (3) Verify the correct hole spacing before insertion (land pattern size on chip type) to avoid stress on the terminals.
- (4) Ensure that the lead clinching operation done by auto insertion equipments does not stress the capacitor leads where they enter the seal of the capacitor.  
For chip type capacitors, excessive mounting pressure can cause high leakage current, short circuit, or disconnection.

**2.3 Manual Soldering**

- (1) Apply soldering conditions (temperature and time) based on the specification, or do not exceed temperature of  $350\text{ }^{\circ}\text{C}$  for 3 seconds or less.
- (2) If lead wires must be modified to meet terminal board hole spacing, avoid stress on the lead wire where it enters the capacitor seal.
- (3) If a soldered capacitor must be removed and reinserted, avoid excessive stress on the capacitor leads.
- (4) Avoid physical contacts between the tip of the soldering iron and capacitors to prevent melting of the vinyl sleeve.

**2.4 Flow Soldering**

- (1) Do not immerse the capacitor body into the solder bath as excessive internal pressure could result.
- (2) Apply proper soldering conditions (temperature, time, etc.). Do not exceed the specified limits.
- (3) Do not allow other parts or components to touch the capacitor during soldering.

**2.5 Other Soldering Considerations**

Rapid temperature rise during the preheat operation and resin bonding operation can cause cracking of the capacitor's vinyl sleeve. For heat curing, do not exceed  $150\text{ }^{\circ}\text{C}$  for the maximum time of 2 minutes.

**2.6 Capacitor Handling after Soldering**

- (1) Avoid moving the capacitor after soldering to prevent excessive stress on the lead wires where they enter the seal.
- (2) Do not use the capacitor as a handle when moving the circuit board assembly.
- (3) Avoid striking the capacitor after assembly to prevent failure due to excessive shock.

**2.7 Circuit Board Cleaning**

- (1) Circuit boards can be immersed or ultrasonically cleaned using suitable cleaning solvents for up to 5 minutes and up to  $60\text{ }^{\circ}\text{C}$  maximum temperatures. The boards should be thoroughly rinsed and dried.  
The use of ozone depleting cleaning agents is not recommended for the purpose of protecting our environment.
- (2) Avoid using the following solvent groups unless specifically allowed in the specification ;
  - Halogenated cleaning solvents : except for solvent resistant capacitor types, halogenated solvents can permeate the seal and cause internal capacitor corrosion and failure.  
For solvent resistant capacitors, carefully follow the temperature and time requirements based on the specification. 1-1-1 trichloroethane should never be used on any aluminum electrolytic capacitor.
  - Alkaline solvents : could react and dissolve the aluminum case.
  - Petroleum based solvents : deterioration of the rubber seal could result.
  - Xylene : deterioration of the rubber seal could result.
  - Acetone : removal of the ink markings on the vinyl sleeve could result.
- (3) A thorough drying after cleaning is required to remove residual cleaning solvents that may be trapped between the capacitor and the circuit board. Avoid drying temperatures, which exceed the Upper category temperature of the capacitor.
- (4) Monitor the contamination levels of the cleaning solvents during use in terms of electrical conductivity, pH, specific gravity, or water content. Chlorine levels can rise with contamination and adversely affect the performance of the capacitor.
- (5) Depending on the cleaning method, the marking on a capacitor may be erased or blurred.

Please consult us if you are not certain about acceptable cleaning solvents or cleaning methods.

**2.8 Mounting Adhesives and Coating Agents**

When using mounting adhesives or coating agents to control humidity, avoid using materials containing halogenated solvents.

Also, avoid the use of chloroprene based polymers.

Hardening on dry adhesive or coating agents will prevent the solvent from being left.

After applying adhesives or coatings, dry thoroughly to prevent residual solvents from being trapped between the capacitor and the circuit board.

**2.9 Fumigation**

In exporting electronic appliances with aluminum electrolytic capacitors, in some cases fumigation treatment using such halogen compound as methyl bromide is conducted for wooden boxes.

If such boxes are not dried well, the halogen left in the box is dispersed while transported and enters the capacitors inside.

This possibly causes electrical corrosion of the capacitors. Therefore, after performing fumigation and drying make sure that no halogen is left.

Don't perform fumigation treatment to the whole electronic appliances packed in a box.



**3. Precautions for using capacitors****3.1 Environmental Conditions**

Capacitors should not be stored or used in the following environments.

- (1) Exposure to temperatures above the upper category or below the lower category temperature of the capacitor.
- (2) Direct contact with water, salt water, or oil.
- (3) High humidity conditions where water could condense on the capacitor.
- (4) Exposure to toxic gases such as hydrogen sulfide, sulfuric acid, nitric acid, chlorine, Chlorine compound, Bromine, Bromine compound or ammonia.
- (5) Exposure to ozone, radiation, or ultraviolet rays.
- (6) Vibration and shock conditions exceeding specified requirements.

**3.2 Electrical Precautions**

- (1) Avoid touching the terminals of a capacitor as a possible electric shock could result. The exposed aluminum case is not insulated and could also cause electric shock if touched.
- (2) Avoid short circuiting the area between the capacitor terminals with conductive materials including liquids such as acids or alkaline solutions.

**4. Emergency Procedures**

- (1) If the pressure relief of the capacitor operates, immediately turn off the equipment and disconnect from the power source. This will minimize an additional damage caused by the vaporizing electrolyte.
- (2) Avoid contact with the escaping electrolyte gas, which can exceed 100 °C temperatures.  
If electrolyte or gas enters the eye, immediately flush the eye with large amounts of water.  
If electrolyte or gas is ingested by mouth, gargle with water.  
If electrolyte contacts the skin, wash with soap and water.

**5. Long Term Storage**

Leakage current of a capacitor increases with long storage times. The aluminum oxide film deteriorates as a function of temperature and time. If used without reconditioning, an abnormally high current will be required to restore the oxide film. This surge current could cause the circuit or the capacitor to fail. After one year, a capacitor should be reconditioned by applying the rated voltage in series with a 1000  $\Omega$  current limiting resistor for a time period of 30 minutes.

**5.1 Environmental Conditions**

- (1) Exposure to temperatures above the upper category or below the lower category temperature of the capacitor.
- (2) Direct contact with water, salt water, or oil.
- (3) High humidity conditions where water could condense on the capacitor.
- (4) Exposure to toxic gases such as hydrogen sulfide, sulfuric acid, nitric acid, chlorine, Chlorine compound, Bromine, Bromine compound or ammonia.
- (5) Exposure to ozone, radiation, or ultraviolet rays.
- (6) Vibration and shock conditions exceeding specified requirements.

**6. Capacitor Disposal**

When disposing capacitors, use one of the following methods.

- (1) Incinerate after crushing the capacitor or puncturing the can wall (to prevent explosion due to internal pressure rise).
- (2) Dispose as solid waste.

NOTE : Local laws may have specific disposal requirements which must be followed.