



**50 Ω TERMINATED 26.5 GHz SMA LATCHING S.P.4 T. SWITCH**

OPTIONS: INDICATOR /SELF CUT-OFF /AUTO RESET /SUPP.DIODES

**RF CHARACTERISTICS**

NUMBER OF WAYS : 4  
 FREQUENCY RANGE : 0 - 26.5 GHz  
 IMPEDANCE : 50 Ohms

|                   |         |         |         |          |          |
|-------------------|---------|---------|---------|----------|----------|
| FREQUENCY (GHz)   | 0 - 3   | 3 - 8   | 8 -12.4 | 12.4- 18 | 18 -26.5 |
| V.S.W.R <=        | 1.20    | 1.30    | 1.40    | 1.50     | 1.70     |
| INSERT. LOSS <=   | 0.20 dB | 0.30 dB | 0.40 dB | 0.50 dB  | 0.70 dB  |
| ISOLATION >=      | 80 dB   | 70 dB   | 60 dB   | 60 dB    | 50 dB    |
| AVER.POWER (25°C) | 240 W   | 150 W   | 120 W   | 100 W    | 40 W     |

TERMINATION IMPEDANCE : 50 Ohms  
 TERMINATION AVG. POWER AT 25° C : 1 W per termination  
 3 W total power

**ELECTRICAL CHARACTERISTICS**

ACTUATOR : LATCHING  
 NOMINAL CURRENT AT 25° C (±10%) : 640 mA  
 ACTUATOR VOLTAGE (Vcc) : 12V (10.2 to 13V) / NEGATIVE COMMON  
 TERMINALS : solder pins (250°C max./30 sec.)  
 INDICATOR RATING : 1 W / 30 V / 100 mA  
 SELF CUT-OFF TIME : 40 ms < CT < 120 ms

**MECHANICAL CHARACTERISTICS**

CONNECTORS : SMA female per MIL-C 39012  
 LIFE : 2.000.000 cycles per position  
 SWITCHING TIME (nominal voltage;25° C) : < 40 ms  
 CONSTRUCTION : splashproof  
 WEIGHT : < 250 g

**ENVIRONMENTAL CHARACTERISTICS**

OPERATING TEMPERATURE RANGE (°C) : -40 , +85  
 STORAGE TEMPERATURE RANGE (°C) : -55 , +85

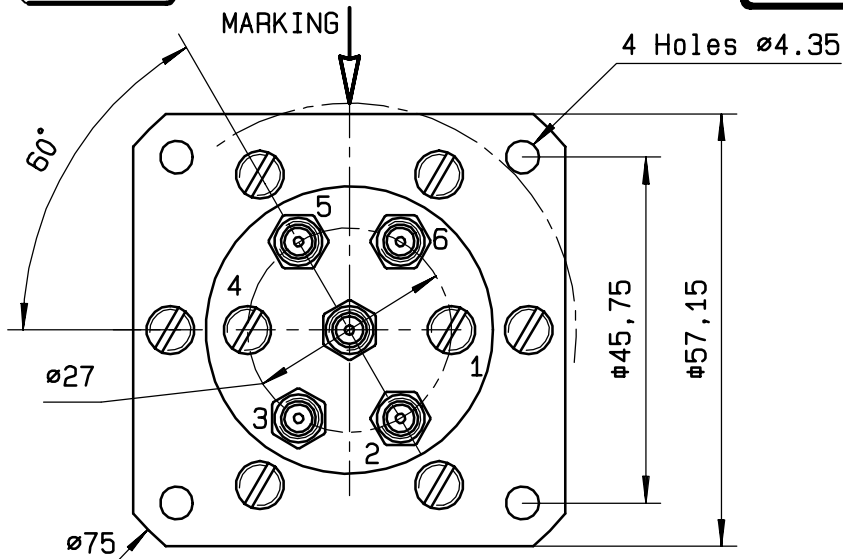
(\* : average power at 25° C per RF path)

This information is given as an indication. In the continual goal to improve our products, we reserve the right to make any modifications judged necessary

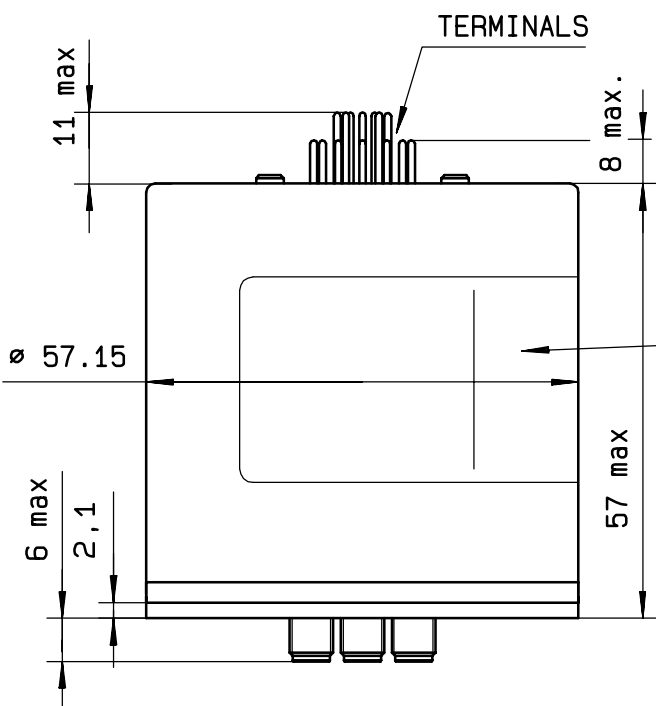
4112-9212

**DRAWING**

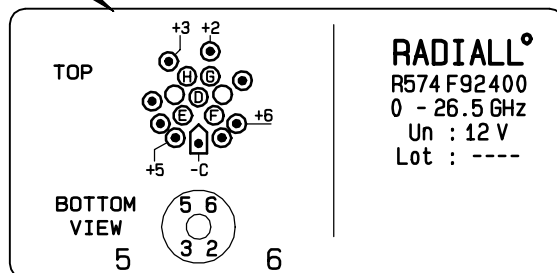
General tolerance: ± 0,5 mm



| Voltage | RF continuity | Ind. |
|---------|---------------|------|
| -C +1   | IN ↔ 1        | D.E  |
| -C +2   | IN ↔ 2        | D.F  |
| -C +3   | IN ↔ 3        | D.G  |
| -C +4   | IN ↔ 4        | D.H  |

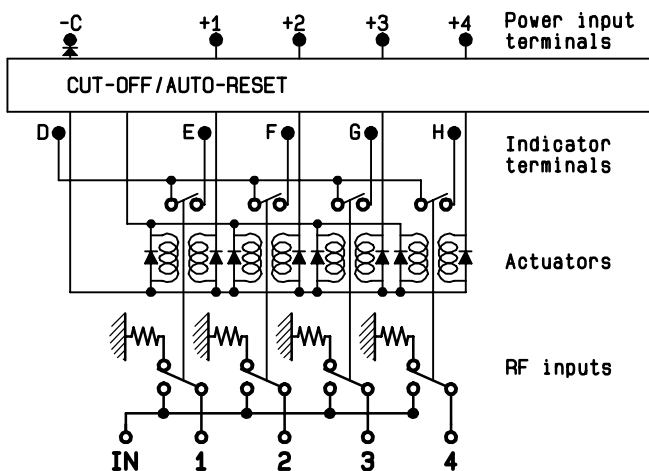


MARKING TOP VIEW (TERMINALS)



**RADIALL**  
 R574 F92400  
 0 - 26.5 GHz  
 Un : 12 V  
 Lot : ----

**SCHEMATIC DIAGRAM**



This information is given as an indication. In the continual goal to improve our products, we reserve the right to make any modifications judged necessary

4113-9212