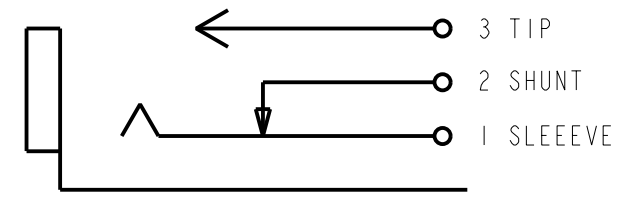


NOTES:

1. THIS PRODUCT IS RoHS COMPLIANT
2. ALL DIMENSIONS ARE REFERENCE.

3. MATERIALS:

- HOUSING: THERMOPLASTIC, BLACK
- SPRING CONTACT: COPPER ALLOY, SILVER PLATED
- SHUNT TERMINAL: COPPER ALLOY, SILVER PLATED
- PIN CONTACT: COPPER ALLOY, SILVER PLATED
- CENTER PIN: COPPER ALLOY, NICKEL PLATED



SCHEMATIC

CUSTOMER DRAWING

REV	ECO NUMBER	DATE	BY	APVD
A	25129	9-12-05	JL	MW

REVISIONS

★ STAR SYMBOL DENOTES CRITICAL DIMENSION

UNLESS OTHERWISE SPECIFIED

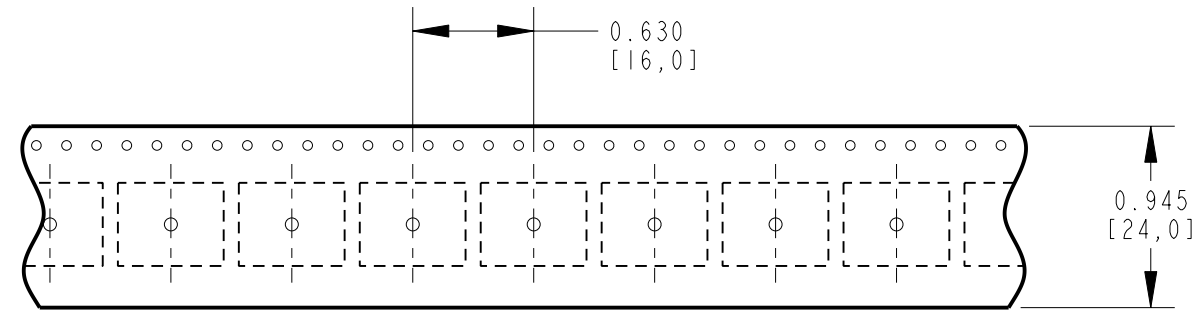
1. ALL DIMENSIONS IN INCHES  
 - TWO PLACE DECIMALS ±0.01  
 - THREE PLACE DECIMALS ±0.005  
 - ANGLES ±1°  
 - ALL DIA. CONCENTRIC WITHIN 0.005 T.I.R.
2. FEATURES ON THE SAME CENTERLINE MUST BE ALIGNED WITHIN ±0.002
3. REMOVE ALL BURRS

DO NOT SCALE DRAWING

THIS DRAWING DESCRIBES A DESIGN CONSIDERED PROPRIETARY IN NATURE, DEVELOPED AND MANUFACTURED BY SWITCHCRAFT INC. AND IS RELEASED ON A CONFIDENTIAL BASIS FOR IDENTIFICATION PURPOSES ONLY.				
SIZE	WIDTH	MULT	LBS/M	TEMPER
FINISH		MATERIAL		
SPEC No.		SPEC No.		
FIRST USED ON		SCALE		
		5 : 1		
DATE DRAWN	BY	CHKD	APVD	
12-Sep-05	JL	MW	MW	
		9-12-05	9-12-05	
NAME				PART No.
RIGHT ANGLE SMT				RASM742TRX
DC JACK, Ø1mm PIN, RoHS				REV
				A

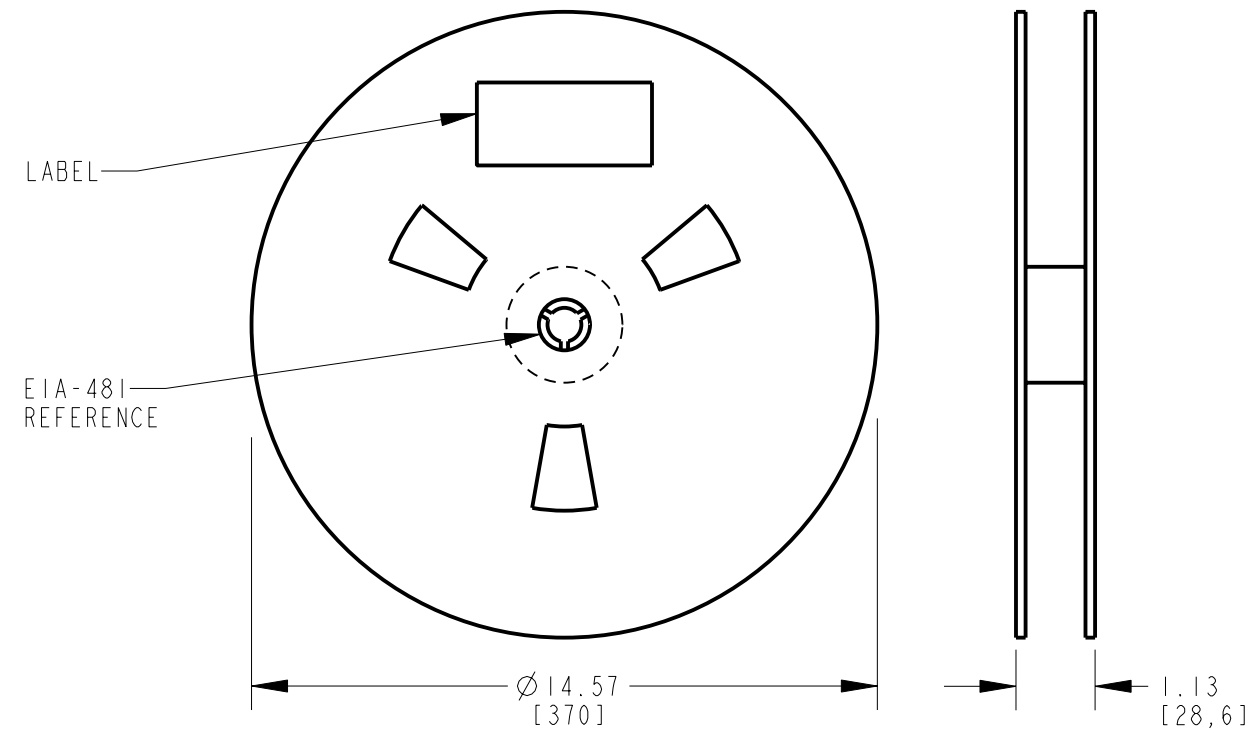
A: CARRIER SIZE

1. DETAIL SIZES REFERENCE: EIA-481
2. SPECIFICATION: 24 MM X 16 MM
3. COVER TAPE: SPECIFICATION ATTACHED (CONDUCTIVE)



B: REEL SIZE

1. QUANTITY: 800 PCS/REEL
2. MATERIAL: THERMOPLASTIC



CUSTOMER DRAWING

SCALE	<b>Switchcraft®</b>		
DATE DRAWN			
12-Sep-05	SHEET 2 OF 2		
DRAWN BY	PART No.	REV	
JL	RASM742TRX	A	