



## SPECIFICATION

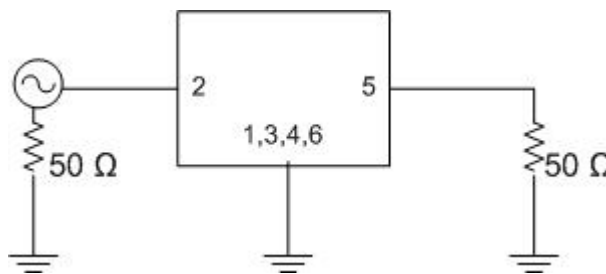
Parameter	Min	Typ	Max	Units
Nominal Center Frequency $F_c$	-	948	-	MHz
Passband	944	-	952	MHz
Maximum Insertion Loss over the Passband	-	3.1	4	dB
Absolute Delay	-	30	-	ns
Rejection (0.3 to 875 MHz) <sup>1</sup>	40	45	-	dB
Rejection (875 to 933 MHz) <sup>1</sup>	10	20	-	dB
Rejection (963 to 1030 MHz) <sup>1</sup>	10	11	-	dB
Rejection (1030 to 1350 MHz) <sup>1</sup>	40	51	-	dB
Rejection (1350 to 1500 MHz) <sup>1</sup>	50	56	-	dB
Amplitude Variation over the Passband	-	0.5	1.5	dB p-p
Group Delay Ripple in Passband	-	5	200	ns p-p
Source/Load Impedance	50			ohms
Temperature Coefficient of Frequency, $T_c$ <sup>2</sup>	-	-32	-	ppm/°C
Ambient Temperature ( $T_{ref}$ )	-	23	-	°C

- Notes:
1. Absolute level
  2. Typical shift of filter frequency response with temperature is  $\Delta f = (T - T_{ref}) * T_c * F_c$ .

## MAXIMUM RATINGS

Parameter	Min	Max	Units
Storage Temperature Range	-45	85	°C
Operating Temperature Range	-30	60	°C
Input Power Level	-	10	dBm

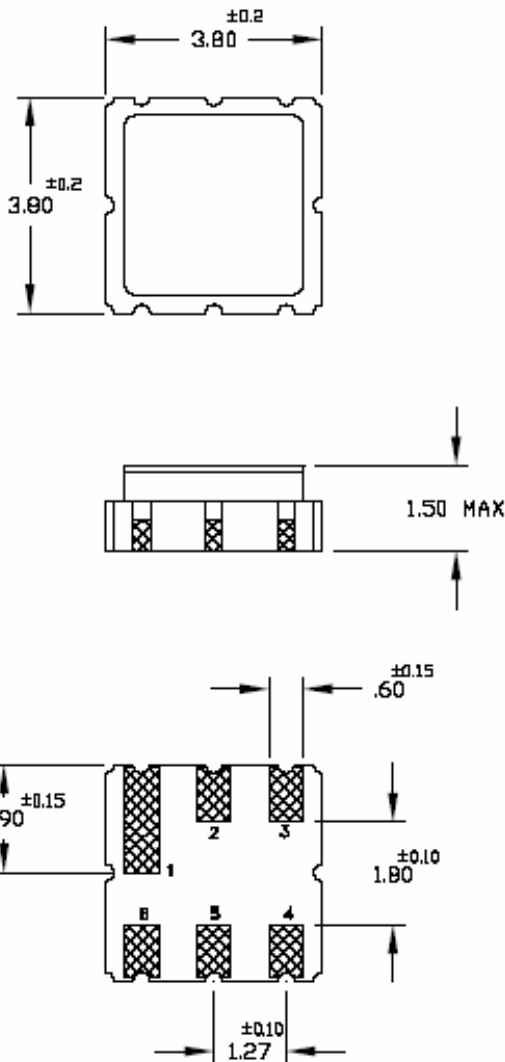
## MATCHING CIRCUIT



Notes:

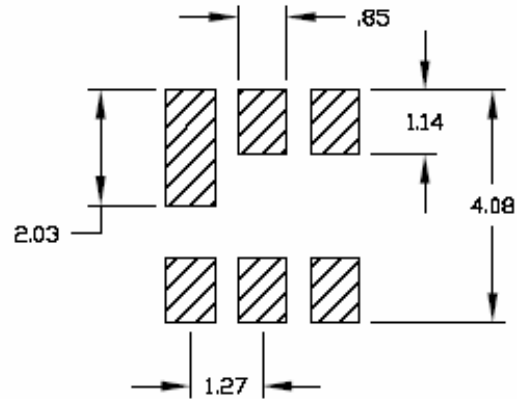
- 50 ohm single ended operation.
- Matching components are not required.

**PACKAGE OUTLINE**



Package Material:  
Body:  $Al_2O_3$  ceramic  
Lid: Kovar, Ni plated  
Terminations: Au plating 1  $\mu\text{m}$  min,  
over a 1.3-8.9  $\mu\text{m}$  Ni plating

**SUGGESTED FOOTPRINT**



**Units:** mm

Tolerances are  $\pm 0.15$  mm except where indicated.

**Pad Configuration:**

Input: 2  
Output: 5  
Ground: 1, 3, 4, 6

ISO 9001  
Registered

All specifications are believed to be accurate and reliable. However, Spectrum Microwave reserves the right to make changes without notice.  
© 2010 All rights reserved.