

DESIGNED & DIMENSIONED  
IN MILLIMETERS [INCHES]

SMA-J-C-X-ST-SB3

GENDER  
-J: JACK

TYPE  
-C: CABLE

TERMINATION  
-SB3: SEALED BULKHEAD  
(MH081 CABLE)

ORIENTATION  
-ST: STRAIGHT

PLATING SPECIFICATION  
-H: HEAVY GOLD (SEE NOTES 7 & 8)  
(SMA-J-C-F-ST-BH3-CBDY)  
(SMA-INS-016)  
(SMA-SKT-004-H)  
(SUB-SMA-J-C-F-ST-SB3)  
(SMA-GKT-002)  
(SMA-LWAS-001-F)  
(SMA-NUT-001-F)

DO NOT  
SCALE FROM  
THIS PRINT

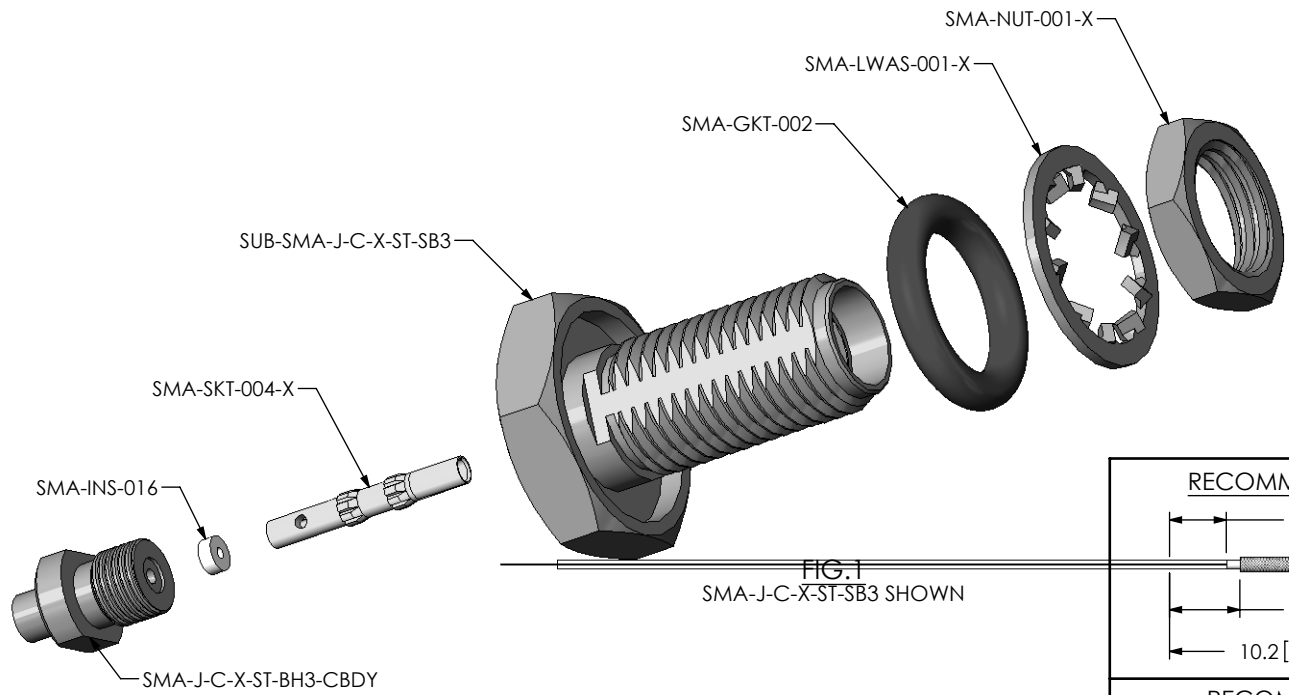
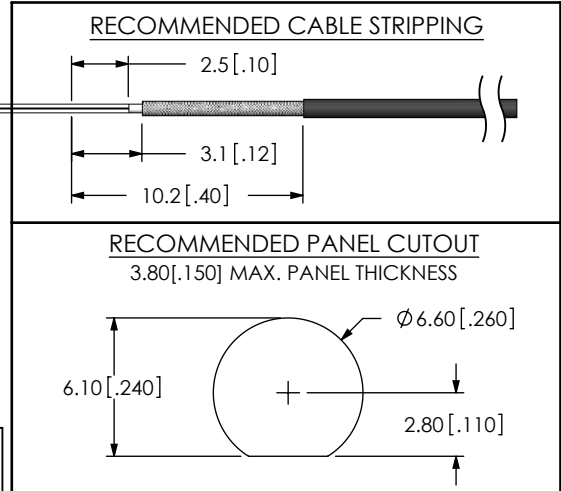


FIG. 1  
SMA-J-C-X-ST-SB3 SHOWN

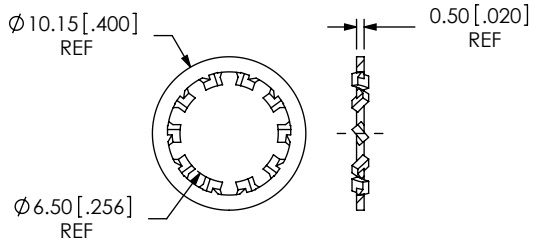


- NOTES:
- ⊕ REPRESENTS A CRITICAL DIMENSION.
  - CENTER CONTACT PUSHOUT FORCE: 26.69 N [6 LB] MIN.
  - SEE SHEET 3 FOR TERMINATION INFORMATION.
  - COMPONENTS TO BE SHIPPED UNASSEMBLED.
  - SAMPLE ORDERS: TO BE PACKAGED IN INDIVIDUAL KIT FORM, PRODUCTION ORDERS: EACH COMPONENT TO BE BULK PACKAGED.
  - RoHS COMPLIANT.
  - PLATING: -F: .000003" MIN GOLD OVER .000050" MIN NICKEL.  
-H: .000030" MIN GOLD OVER .000050" MIN NICKEL.
  - ASSEMBLY PLATING DESIGNATIONS:  
-H: (CENTER CONTACT)-H  
(OUTER CONTACT)-F  
(REMAINING METAL PARTS)-F

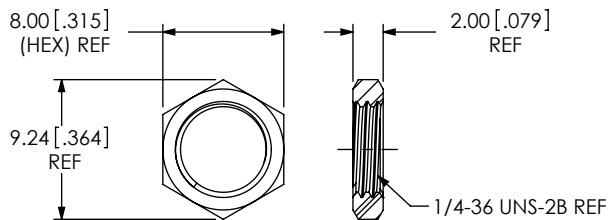
**THIS PRODUCT MANUFACTURED WITH LEAD-FREE PROCESSING**

F:\DWG\MISC\Mktg\SMA-J-C-X-ST-SB3-MKT.SLDRW		<p>520 PARK EAST BLVD, NEW ALBANY, IN 47150 PHONE: 812-944-6733 FAX: 812-948-5047 e-Mail info@SAMTEC.com code 55322</p>	
UNLESS OTHERWISE SPECIFIED, DIMENSIONS ARE IN MILLIMETERS [INCHES]. TOLERANCES ARE: DECIMALS ANGLES .X: ±0.3 [.01] 2° .XX: ±0.13 [.005] .XXX: ±0.051 [.0020]	<b>PROPRIETARY NOTE</b> THIS DOCUMENT CONTAINS INFORMATION CONFIDENTIAL AND PROPRIETARY TO SAMTEC, INC. AND SHALL NOT BE REPRODUCED OR TRANSFERRED TO OTHER DOCUMENTS OR DISCLOSED TO OTHERS OR USED FOR ANY PURPOSE OTHER THAN THAT WHICH IT WAS OBTAINED WITHOUT THE EXPRESSED WRITTEN CONSENT OF SAMTEC, INC.		
MATERIAL: DO NOT SCALE DRAWING SHEET SCALE: 1:0.333333 SHELL, FERRULE, NUT, WASHER: BRASS CONTACT: COPPER ALLOY DIELECTRIC: PTFE GASKET: SILICONE		DWG. NO. SMA-J-C-X-ST-SB3	BY: R MUSSER 04/05/2009 SHEET 1 OF 3

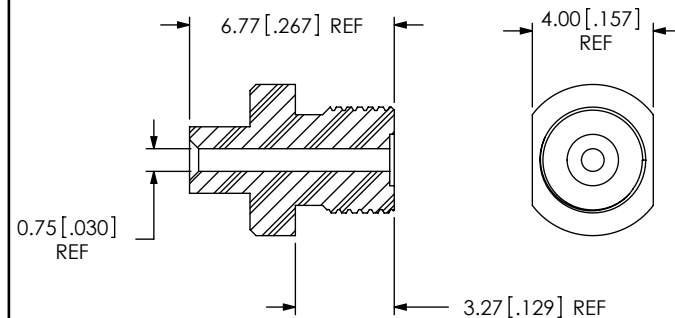
REVISION C



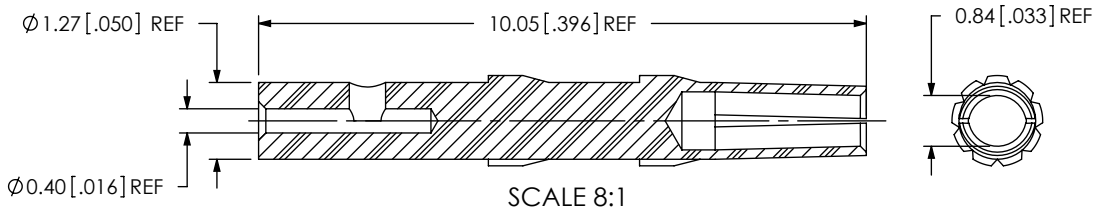
SAMTEC PART NUMBER	ITEM
SMA-LWAS-001-X	LOCK WASHER



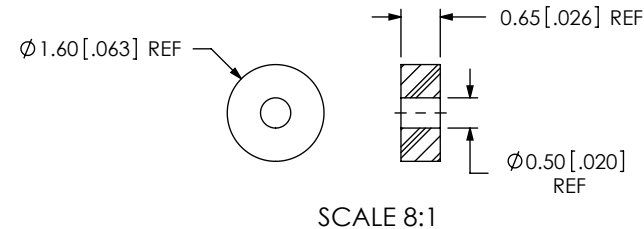
SAMTEC PART NUMBER	ITEM
SMA-NUT-001-X	HEX NUT



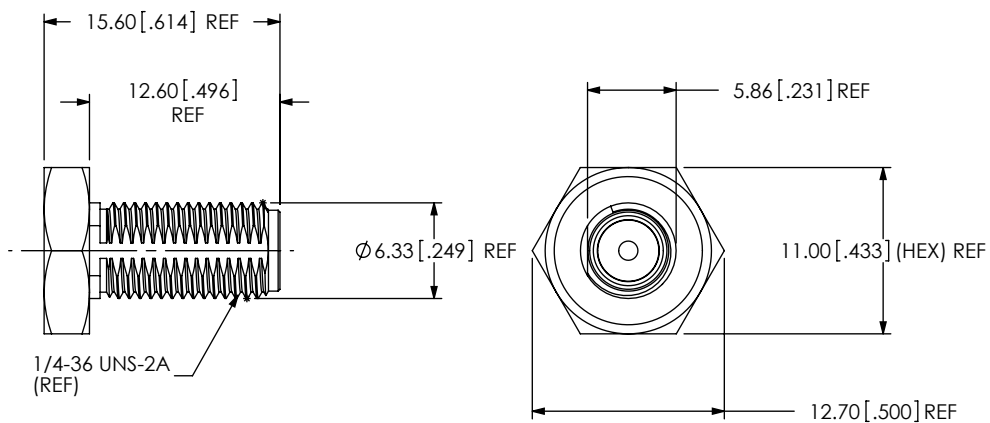
SAMTEC PART NUMBER	ITEM
SMA-J-C-X-ST-BH3-CBDY	REAR THREADED BODY



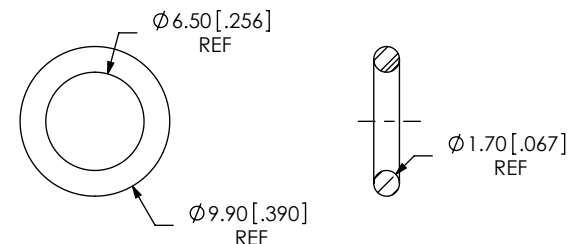
SAMTEC PART NUMBER	ITEM
SMA-SKT-004-X	SOCKET



SAMTEC PART NUMBER	ITEM
SMA-INS-016	INSULATOR



SAMTEC PART NUMBER	ITEM
SUB-SMA-J-C-X-ST-SB3	SUB ASSEMBLY



SAMTEC PART NUMBER	ITEM
SMA-GKT-002	GASKET

F:\DWG\MISC\Mktg\SMA-J-C-X-ST-SB3-MKT.SLDDRW

PROPRIETARY NOTE

THIS DOCUMENT CONTAINS INFORMATION CONFIDENTIAL AND PROPRIETARY TO SAMTEC, INC. AND SHALL NOT BE REPRODUCED OR TRANSFERRED TO OTHER DOCUMENTS OR DISCLOSED TO OTHERS OR USED FOR ANY PURPOSE OTHER THAN THAT WHICH IT WAS OBTAINED WITHOUT THE EXPRESSED WRITTEN CONSENT OF SAMTEC, INC.

DO NOT SCALE DRAWING

SHEET SCALE: 2:1

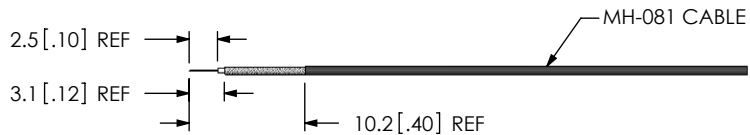


520 PARK EAST BLVD, NEW ALBANY, IN 47150  
PHONE: 812-944-6733 FAX: 812-948-5047  
e-Mail info@SAMTEC.com code 55322

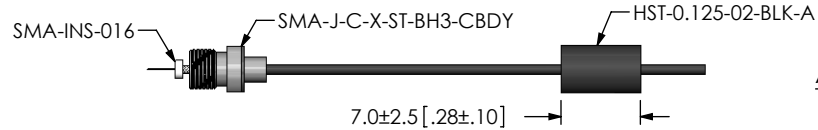
DESCRIPTION:  
SMA STR JACK S BULKHEAD, MH081- 50 OHM

DWG. NO.  
SMA-J-C-X-ST-SB3

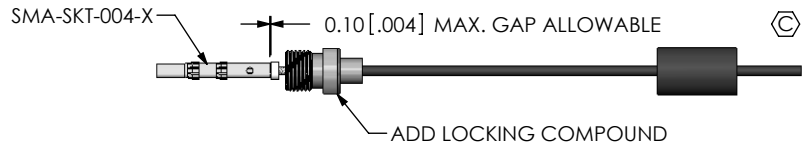
BY: R MUSSER 04/05/2009 SHEET 2 OF 3



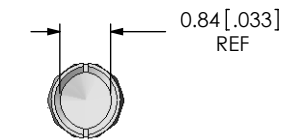
STRIP AND TIN INNER AND OUTER CONDUCTOR



ADD HEAT SHRINK TUBE, REAR THREADED BODY, AND INSULATOR

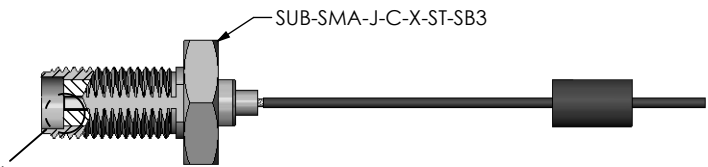
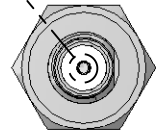


SOLDER SIGNAL SOCKET AND APPLY LOCTITE 680 TO THREADS

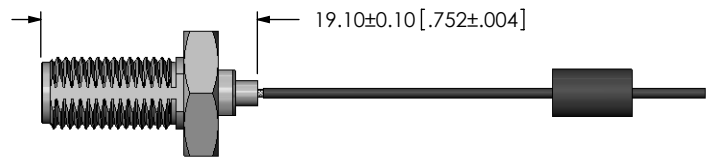
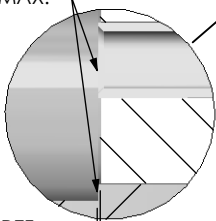


ADD SUB-SMA-J-C-X-ST-SB3 & TIGHTEN REAR-THREADED BODY TO 10 IN-LBS (USE FIXTURE AS REQUIRED TO ASSURE CENTER CONTACT SOCKET LOCATION)

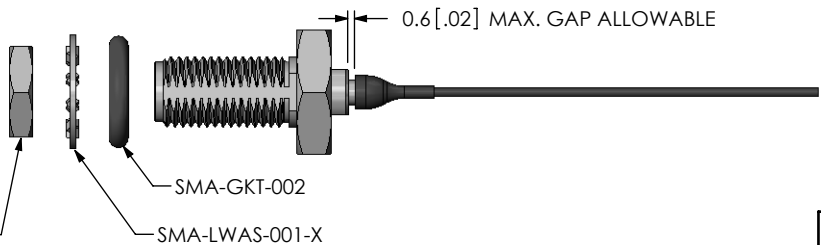
TIP OF CONTACT TO BE FLUSH WITH REFERENCE PLANE OR RECESSED 0.10 [.004] MAX.



SOLDER SHIELD



APPLY HEAT SHRINK TUBING



F:\DWG\MISC\Mktg\SMA-J-C-X-ST-SB3-MKT.SLDDRW

**PROPRIETARY NOTE**

THIS DOCUMENT CONTAINS INFORMATION CONFIDENTIAL AND PROPRIETARY TO SAMTEC, INC. AND SHALL NOT BE REPRODUCED OR TRANSFERRED TO OTHER DOCUMENTS OR DISCLOSED TO OTHERS OR USED FOR ANY PURPOSE OTHER THAN THAT WHICH IT WAS OBTAINED WITHOUT THE EXPRESSED WRITTEN CONSENT OF SAMTEC, INC.

DO NOT SCALE DRAWING

SHEET SCALE: 1.5:1



520 PARK EAST BLVD, NEW ALBANY, IN 47150  
PHONE: 812-944-6733 FAX: 812-948-5047  
e-Mail info@SAMTEC.com code 55322

DESCRIPTION:  
SMA STR JACK S BULKHEAD, MH081- 50 OHM

DWG. NO.  
SMA-J-C-X-ST-SB3

BY: R MUSSER 04/05/2009 SHEET 3 OF 3