

TAI-SAW TECHNOLOGY CO., LTD.

No. 3, Industrial 2nd Rd., Ping-Chen Industrial District,
Taoyuan, 324, Taiwan, R.O.C.

TEL: 886-3-4690038 FAX: 886-3-4697532

E-mail: tstsales@mail.taisaw.com Web: www.taisaw.com

Product Specifications Approval Sheet

Product Name: SAW Duplexer 1950/2140MHz SMD 2.5×2.0 mm

TST Parts No.: TF0065A

Customer Part No.: _____

Customer signature required
Company: _____
Division: _____
Approved by : _____
Date: _____

Checked by: _____ Andy Yu *Andy*

Approved by: _____ Bob Chau *Bob*

Date: _____ 2013, 07, 27

1. Customer signed back is required before TST can proceed with sample build and receive orders.
2. Orders received without customer signed back will be regarded as agreement on the specifications.
3. Any specifications changes must be approved upon by both parties and a new revision of specifications shall be released to reflect the changes



TAI-SAW TECHNOLOGY CO., LTD.

No. 3, Industrial 2nd Rd., Ping-Chen Industrial District,
Taoyuan, 324, Taiwan, R.O.C.

TEL: 886-3-4690038 FAX: 886-3-4697532

E-mail: tstsales@mail.taisaw.com Web: www.taisaw.com

SAW Duplexer 1950/2140MHz SMD 2.5×2.0 mm

MODEL NO.: TF0065A

REV. No.: 1.0

A. MAXIMUM RATING:

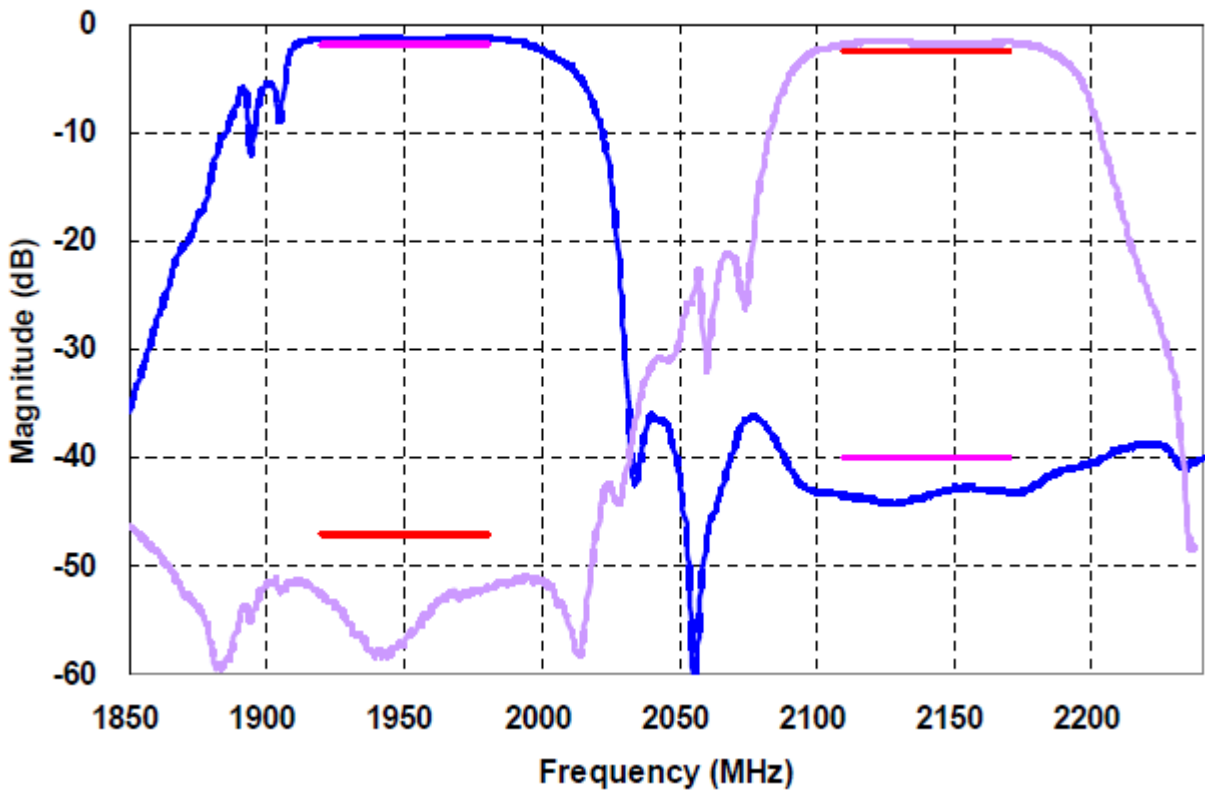
1. Maximum Input Power: 0.8 W
2. DC voltage: 5 V
3. Operating Temperature: -20°C to +85°C
4. Storage Temperature: -40°C to +125°C

B. ELECTRICAL CHARACTERISTICS:

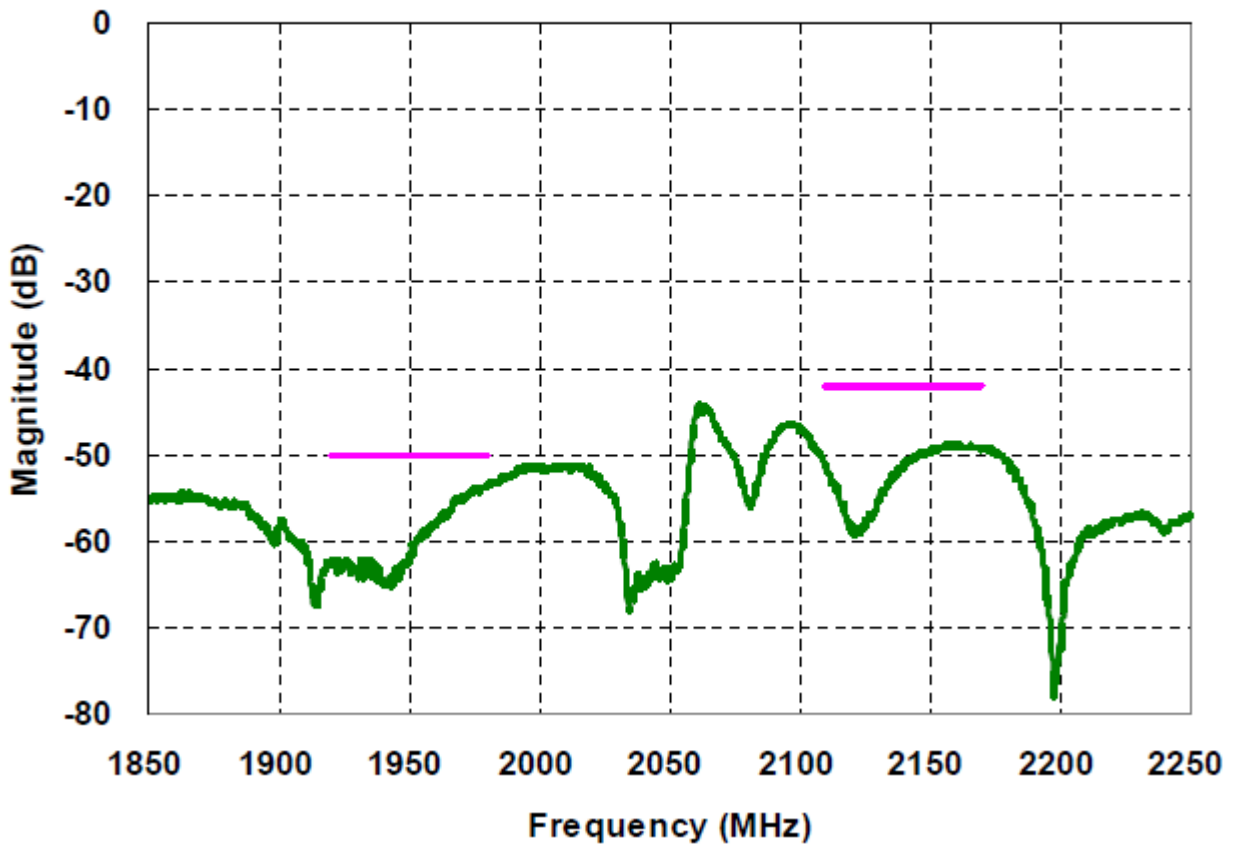
Item	CONDITION [MHz]	UNIT	RATING		
			Min.	Typ.(25 °C)	Max.
TX → ANTENNA					
Insertion Loss	1920 ~ 1980	dB	-	1.2	1.7
Inband Ripple	1920 ~ 1980	dB	-	0.3	1.0
Output VSWR	1920 ~ 1980	-	-	1.8	2.1
Absolute Attenuation	0 ~ 1000	dB	28	33	-
	1500 ~ 1600	dB	24	28	-
	1805 ~ 1880	dB	5	17	-
	2110 ~ 2170	dB	40	43	-
	2400 ~ 2500	dB	24	28	-
	3840 ~ 3900	dB	10	14	-
Termination Impedance : INPUT / ANTENNA		50Ω / 50Ω(// 2.3[nH])			
ANTENNA → RX					
Insertion Loss	2110 ~ 2170	dB	-	1.5	2.1
Inband Ripple	2110 ~ 2170	dB	-	0.5	1.0
Output VSWR	2110 ~ 2170	-	-	1.8	2.2
Absolute Attenuation	0 ~ 1900	dB	31	35	-
	1920 ~ 1980	dB	47	52	-
	2015 ~ 2075	dB	5	20	-
	2400 ~ 2500	dB	40	46	-
	4220 ~ 4280	dB	14	17	-
Termination Impedance : ANT / OUTPUT		50Ω(// 2.3[nH]) / 50Ω			
TX → RX					
Isolation between Rx and Tx	1920 ~ 1980	dB	50	54	-
	2110 ~ 2170	dB	42	48	-

C. Frequency Characteristics :

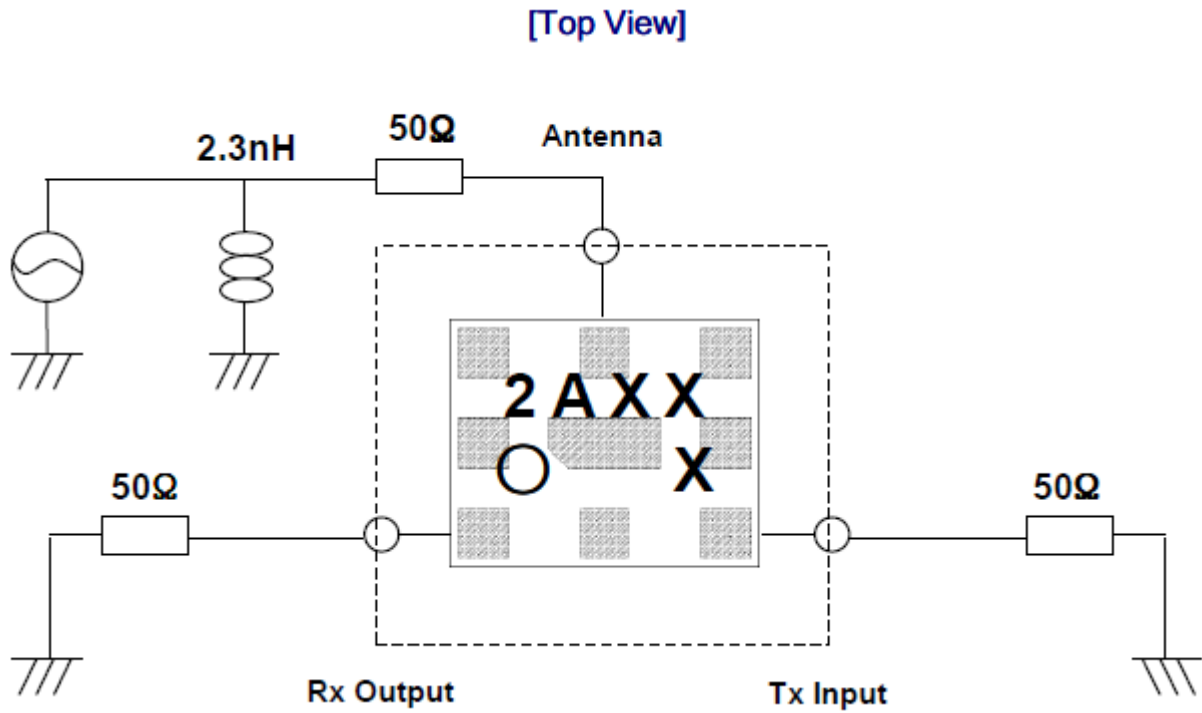
Tx→Ant, Ant→Rx Transmission Characteristics



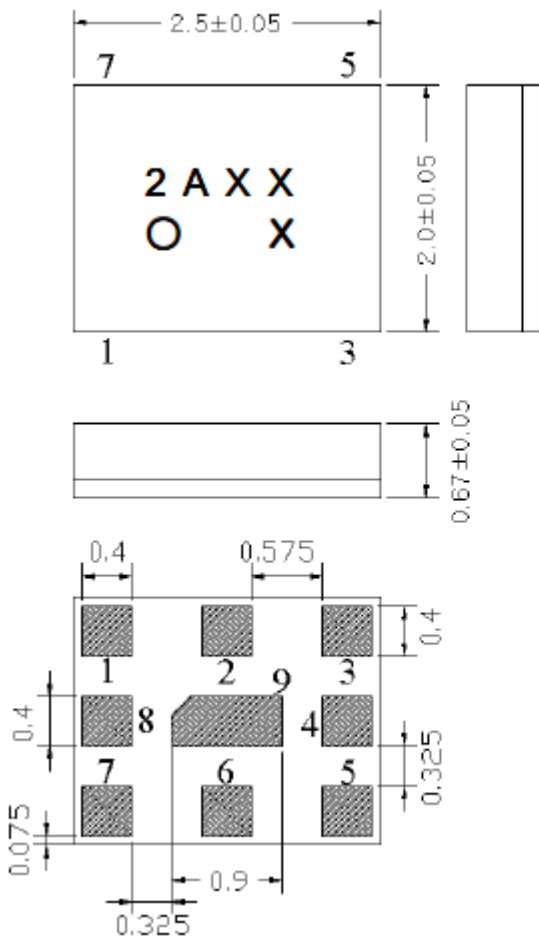
Tx→Rx Isolation Characteristics



D. MEASUREMENT CIRCUIT:



E. OUTLINE DRAWING:



[UNIT:mm]

No.	Function
1	Rx Output
3	Tx Input
6	Antenna
2, 4, 5, 7, 8, 9	GND

2AXX
 ● X

2 A X X X

- The 1st, 2nd character '2A' indicates the model name of SAW Filter "SFXG50PD502" .
- The 3rd character 'X' indicates the year and the month of manufacture.

Year	Month											
	1	2	3	4	5	6	7	8	9	10	11	12
2007	P	Q	R	S	T	U	V	W	X	Y	Z	a
2008	1	2	3	4	5	6	7	8	9	A	B	C
2009	D	E	F	G	H	I	J	K	L	M	N	O
2010	P	Q	R	S	T	U	V	W	X	Y	Z	a

※ This rotates by the 3 years.

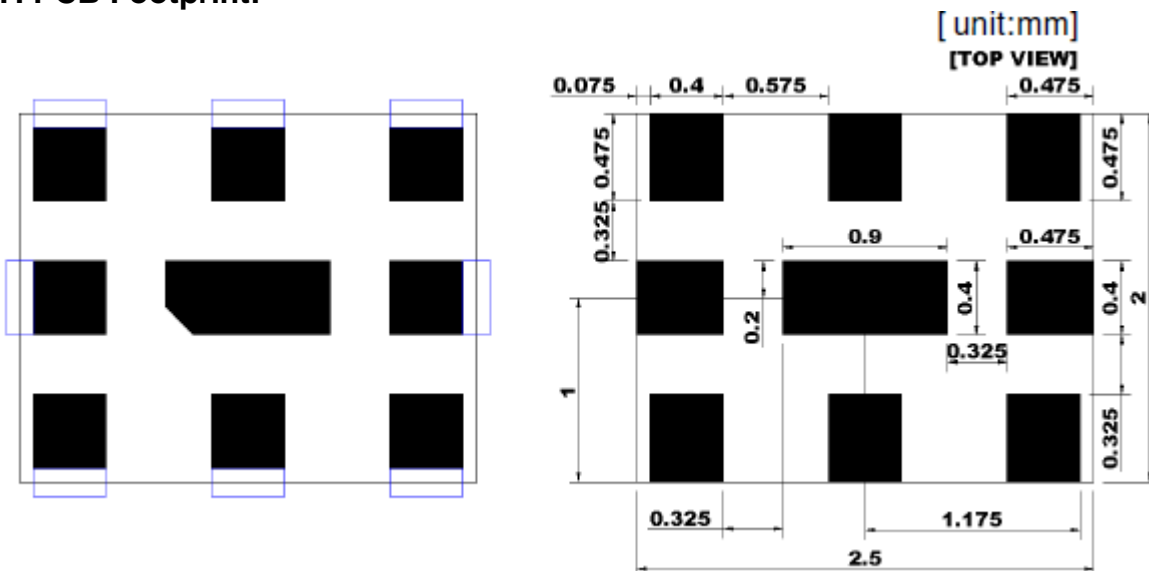
- The 4th, 5th character 'X' indicates Lot No.



- This symbol indicates input pin 1.
- This indicates the producing center

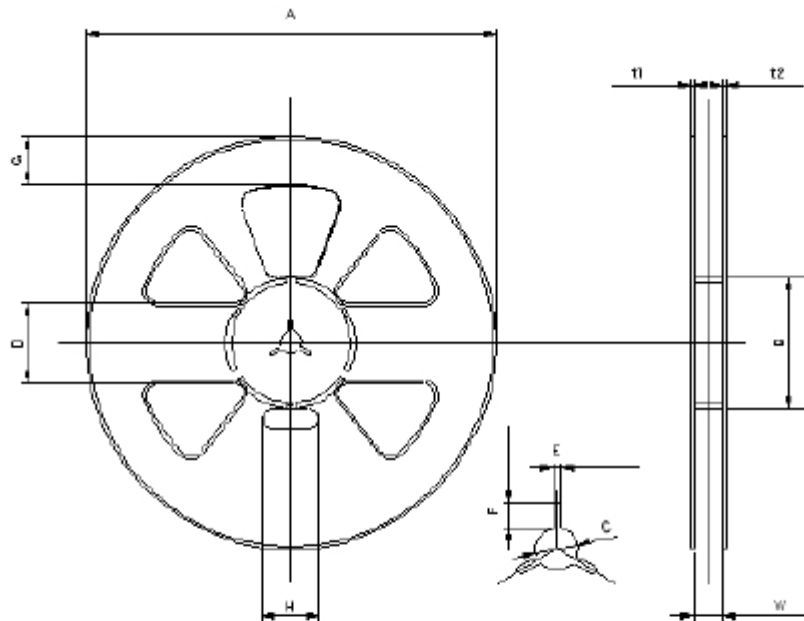
○: China, ●: Korea

F. PCB Footprint:



G. PACKING:

1. REEL DIMENSION

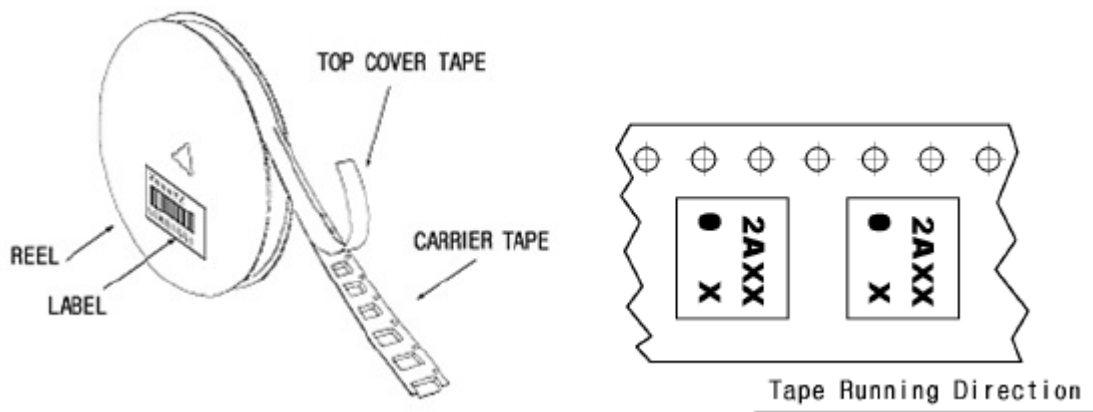


[Unit: mm]

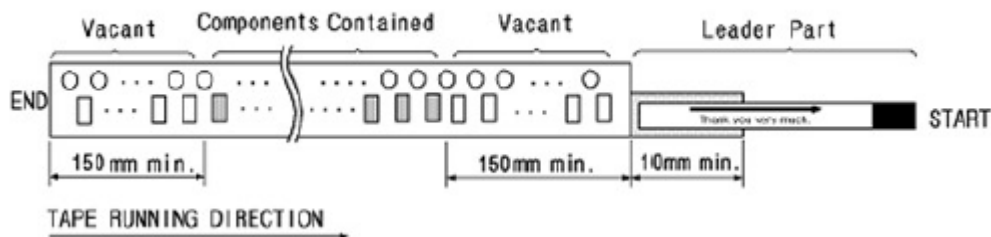
A	B	C	D	E	F	G	H	t1	t2	W
∅ 258.0	∅ 81.0	∅ 13.0	50.0	2.2	7.0	30.0	35.0	1.8	1.5	9.0
+1.0	+1.0	+0.5	+0.8	+0.3	+0.5	+0.8	+1.0	+0.5	+0.5	+1.0
-0.5	-1.0	-0.5	-0.8	-0.3	-0.5	-0.8	-1.0	-0.5	-0.5	-0.5

- The product shall be packed properly not to be damaged during transportation and storage.

2. TAPE DIMENSION



Leader part and vacant position specifications.



H. RECOMMENDED REFLOW PROFILE :

