



TAI-SAW TECHNOLOGY CO., LTD.

No. 3, Industrial 2nd Rd., Ping-Chen Industrial District,
Taoyuan, 324, Taiwan, R.O.C.

TEL: 886-3-4690038 FAX: 886-3-4697532

E-mail: tstsales@mail.taisaw.com Web: www.taisaw.com

Product Specifications Approval Sheet

Product Name: Duplexer 1732.5/2132.5MHz 45MHz BW SMD 3.8x3.8 mm

TST Parts No.: TF0070A

Customer Part No.: _____

Customer signature required
Company: _____
Division: _____
Approved by : _____
Date: _____

Checked by: _____ Andy Yu *Andy Yu*

Approved by: _____ Bob Chau *Bob Chau*

Date: _____ 2013, 11, 25

1. Customer signed back is required before TST can proceed with sample build and receive orders.
2. Orders received without customer signed back will be regarded as agreement on the specifications.
3. Any specifications changes must be approved upon by both parties and a new revision of specifications shall be released to reflect the changes



TAI-SAW TECHNOLOGY CO., LTD.

No. 3, Industrial 2nd Rd., Ping-Chen Industrial District,
Taoyuan, 324, Taiwan, R.O.C.

TEL: 886-3-4690038 FAX: 886-3-4697532

E-mail: tstsales@mail.taisaw.com Web: www.taisaw.com

SAW Duplexer 1732.5/2132.5MHz 45MHz BW SMD 3.8x3.8 mm

MODEL NO.: TF0070A

REV. No.: 1.0

A. MAXIMUM RATING:

1. Maximum Input Power: 28 dBm
2. DC voltage: 0 V
3. Operating Temperature: -30°C to +80°C
4. Storage Temperature: -40°C to +85°C

RoHS Compliant

Lead-free soldering

B. ELECTRICAL CHARACTERISTICS:

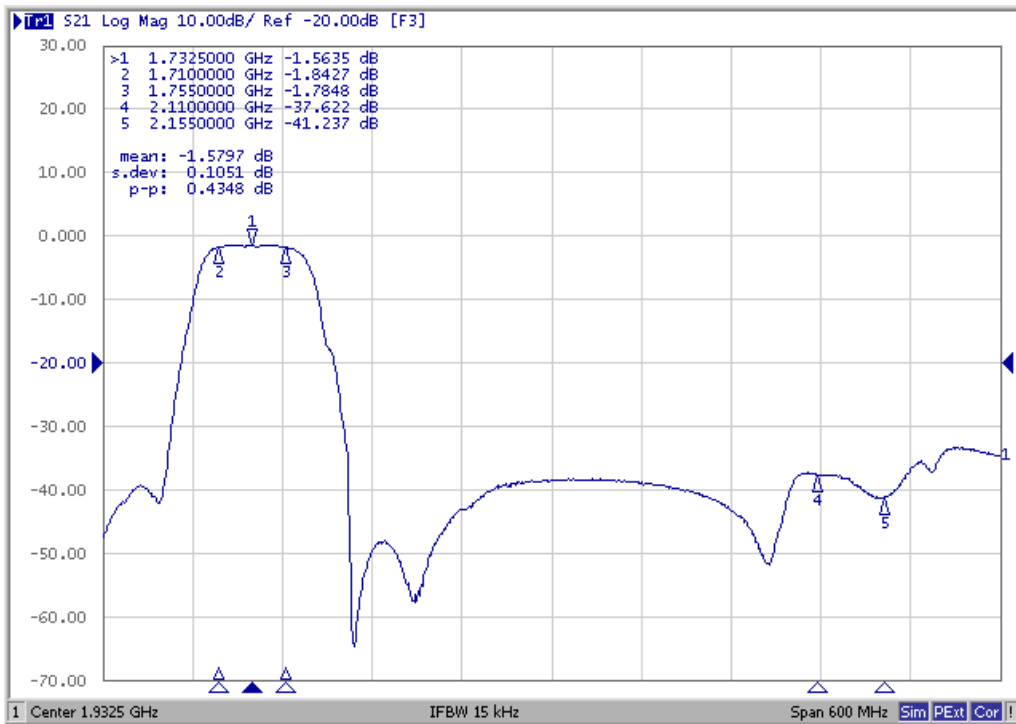
Tx(1732.5MHz) → Ant [⊃]		Specifications [⊃]			
Parameters Description [⊃]	Condition [MHz] [⊃]	Unit [⊃]	Minimum [⊃]	Typical [⊃]	Maximum [⊃]
Insertion Loss [⊃]	1710.0 ~ 1755.0 [⊃]	dB [⊃]	- [⊃]	1.9 [⊃]	3.0 [⊃]
Amplitude Ripple [⊃]	1710.0 ~ 1755.0 [⊃]	dB _{p-p} [⊃]	- [⊃]	0.6 [⊃]	1.5 [⊃]
VSWR [⊃]	1710.0 ~ 1755.0 [⊃]	- [⊃]	- [⊃]	1.7 [⊃]	2.2 [⊃]
Absolute Attenuation [⊃]	2110.0 ~ 2155.0 [⊃]	dB [⊃]	30 [⊃]	37 [⊃]	- [⊃]

Ant → Rx(2132.5MHz) [⊃]		Specifications [⊃]			
Parameters Description [⊃]	Condition [MHz] [⊃]	Unit [⊃]	Minimum [⊃]	Typical [⊃]	Maximum [⊃]
Insertion Loss [⊃]	2110.0 ~ 2155.0 [⊃]	dB [⊃]	- [⊃]	2.5 [⊃]	3.2 [⊃]
Amplitude Ripple [⊃]	2110.0 ~ 2155.0 [⊃]	dB _{p-p} [⊃]	- [⊃]	0.6 [⊃]	1.5 [⊃]
VSWR [⊃]	2110.0 ~ 2155.0 [⊃]	- [⊃]	- [⊃]	1.7 [⊃]	2.2 [⊃]
Absolute Attenuation [⊃]	1710.0 ~ 1755.0 [⊃]	dB [⊃]	35 [⊃]	43 [⊃]	- [⊃]

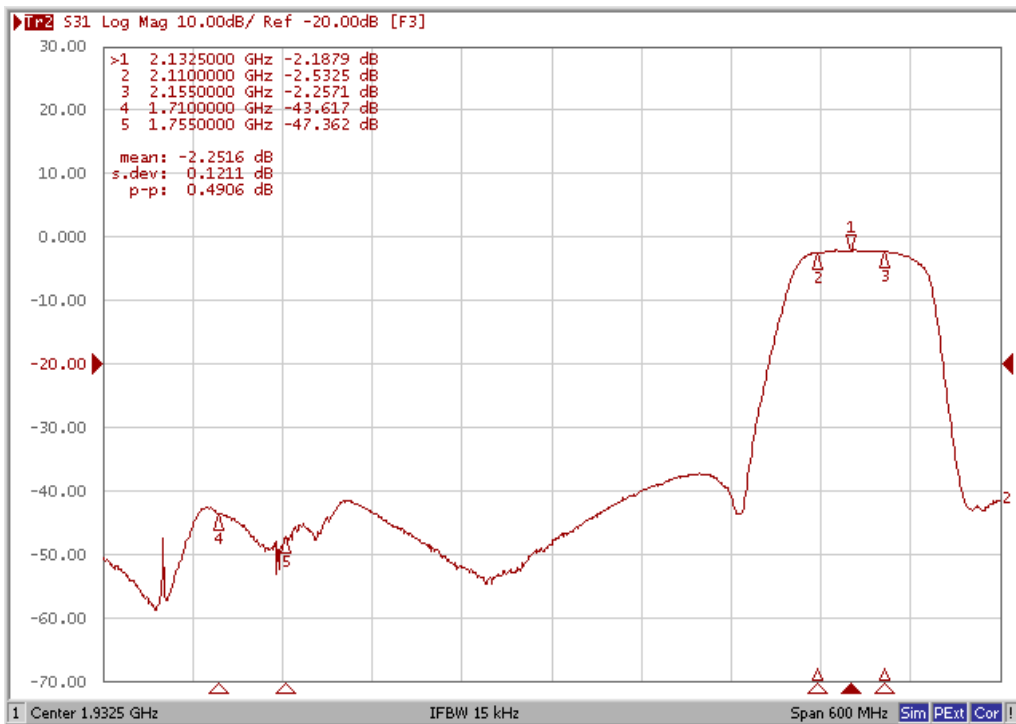
Rx → Tx [⊃]		Specifications [⊃]			
Parameters Description [⊃]	Condition [MHz] [⊃]	Unit [⊃]	Minimum [⊃]	Typical [⊃]	Maximum [⊃]
Isolation [⊃]	1710.0 ~ 1755.0 [⊃]	dB [⊃]	35 [⊃]	45 [⊃]	- [⊃]
	2110.0 ~ 2155.0 [⊃]	dB [⊃]	30 [⊃]	38 [⊃]	- [⊃]

Notes : (1) With Matching Network .

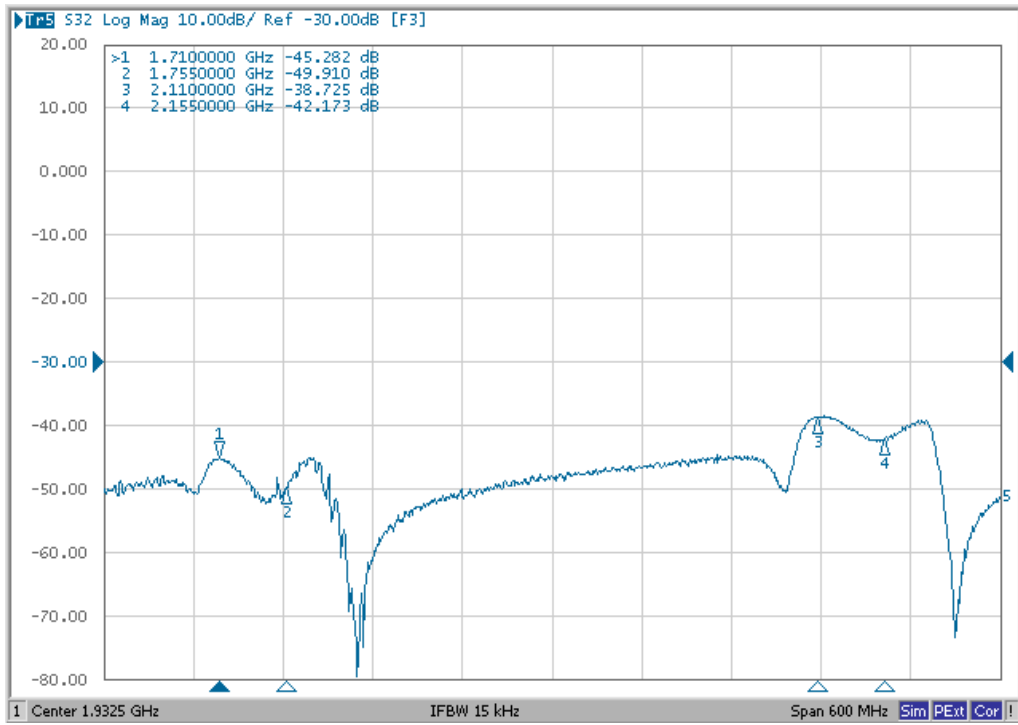
C. Frequency Characteristics :



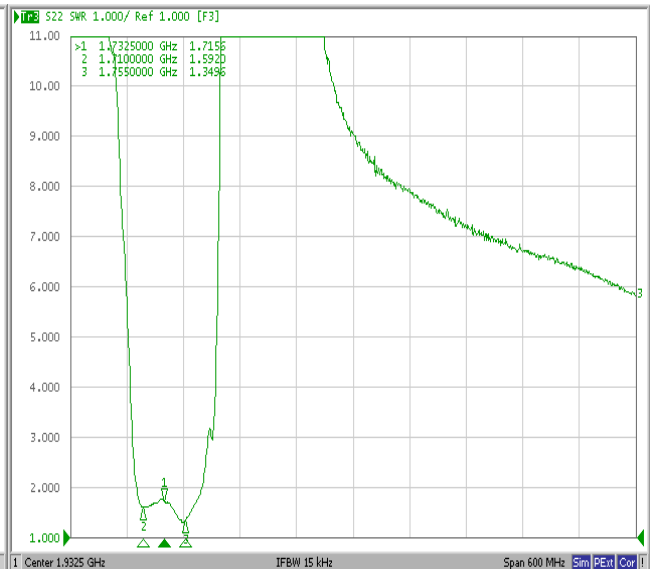
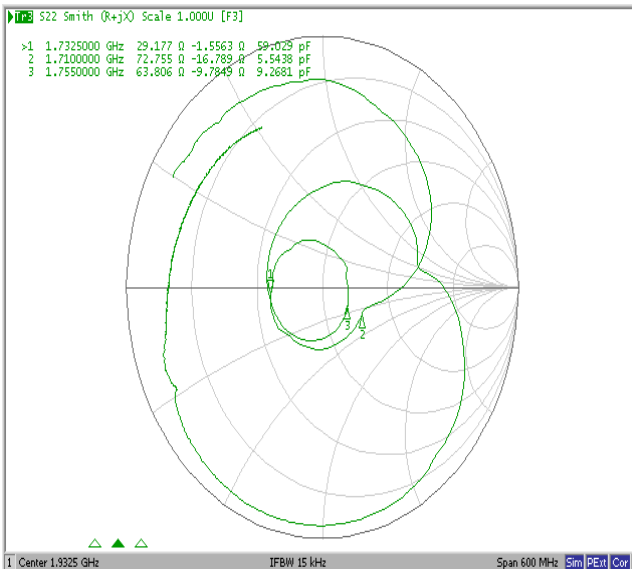
Ant to Rx



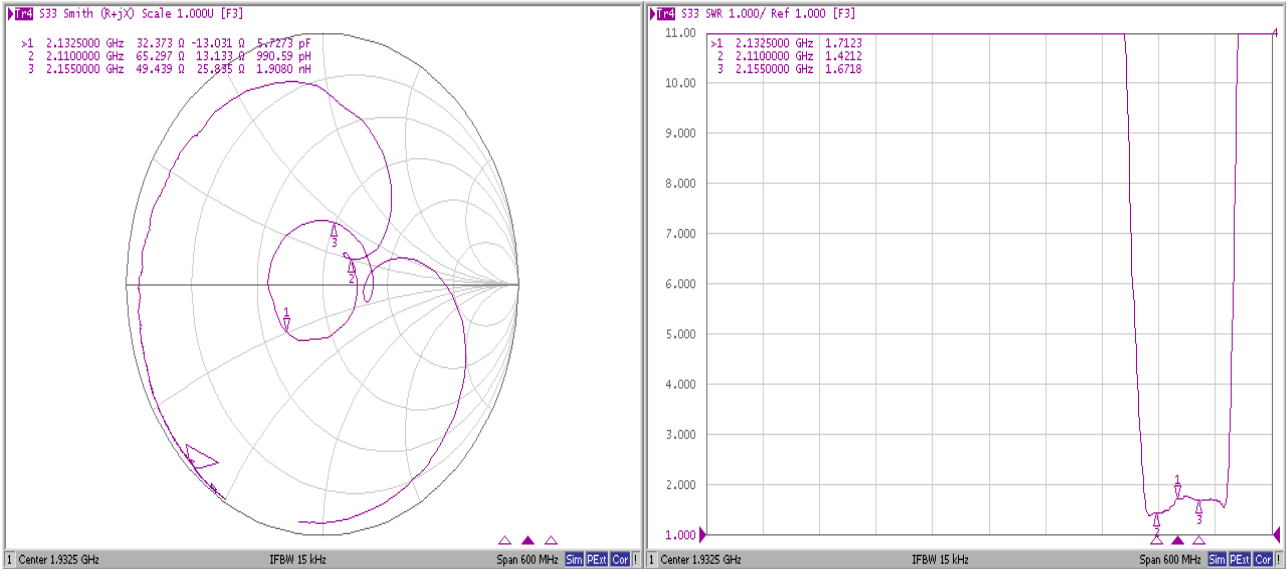
Isolation



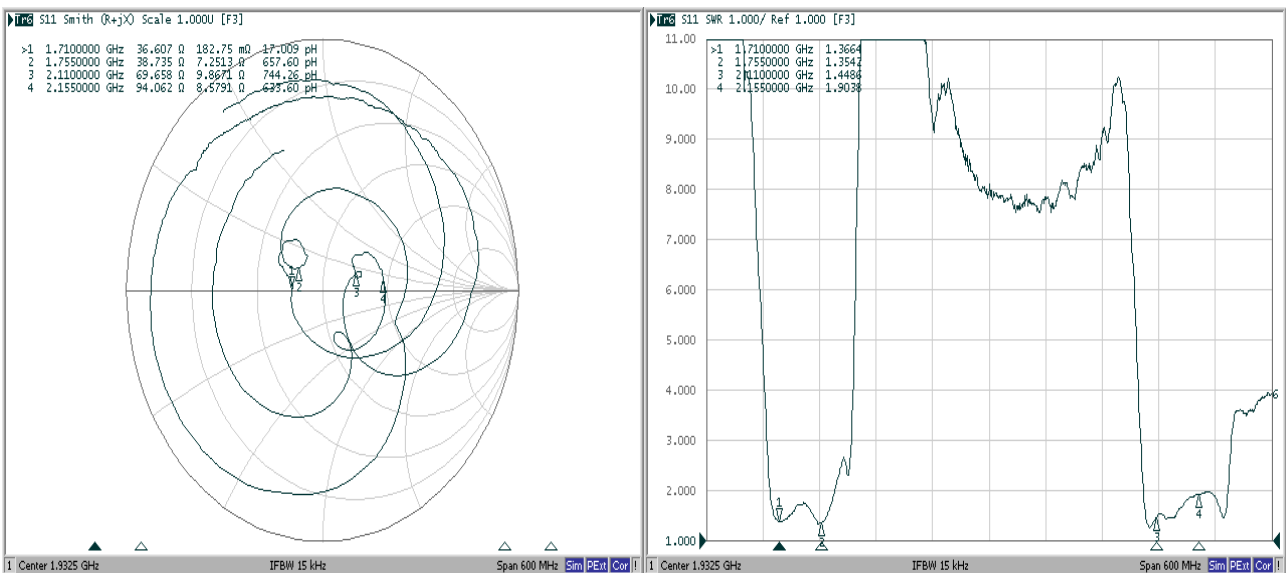
Tx Part



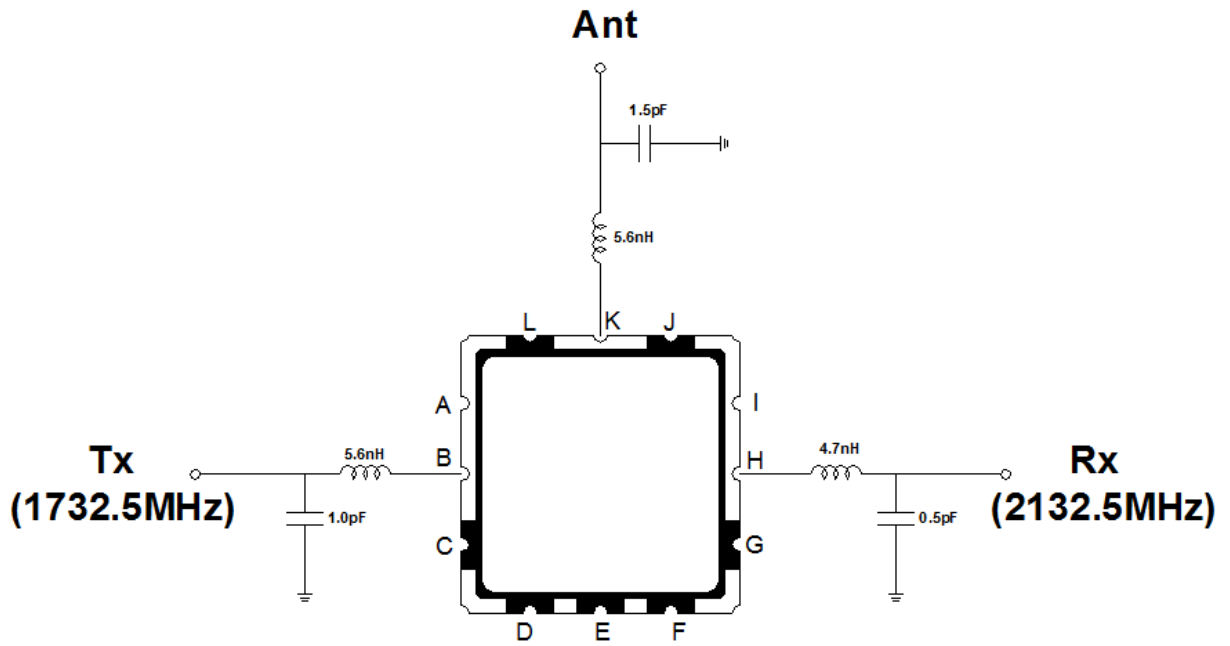
Rx Part



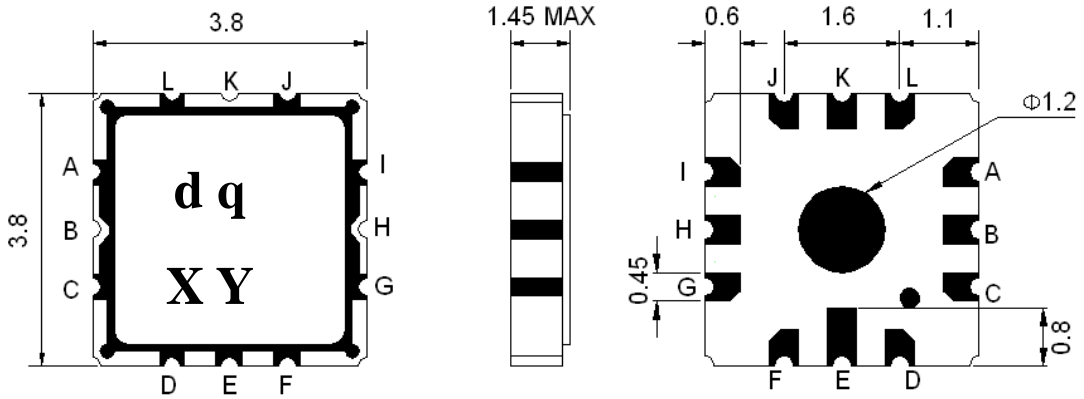
Antenna



D. MEASUREMENT CIRCUIT:



E. OUTLINE DRAWING:

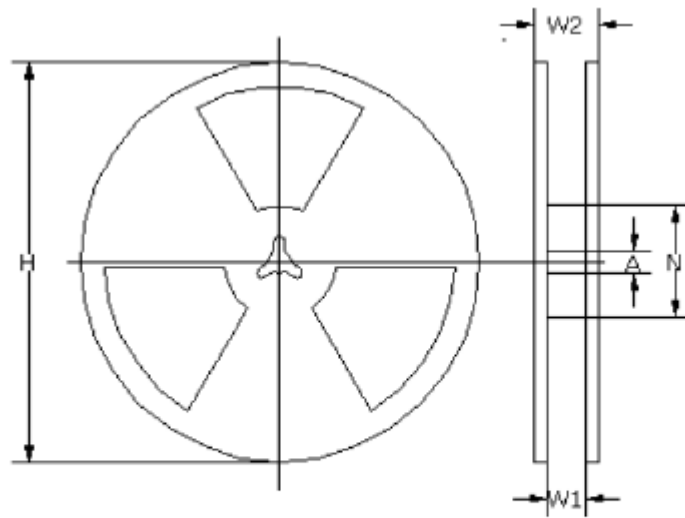


Marking Descriptions	
d	Wireless Application
q	Series Number
X	Date Code(Year)
Y	Date Code(Month)

Pin Description	
A, C, D, E, F, G, I, J, L	Ground
K	Ant
B	Tx (1732.5 MHz)
H	Rx (2132.5MHz)

E. PACKING:

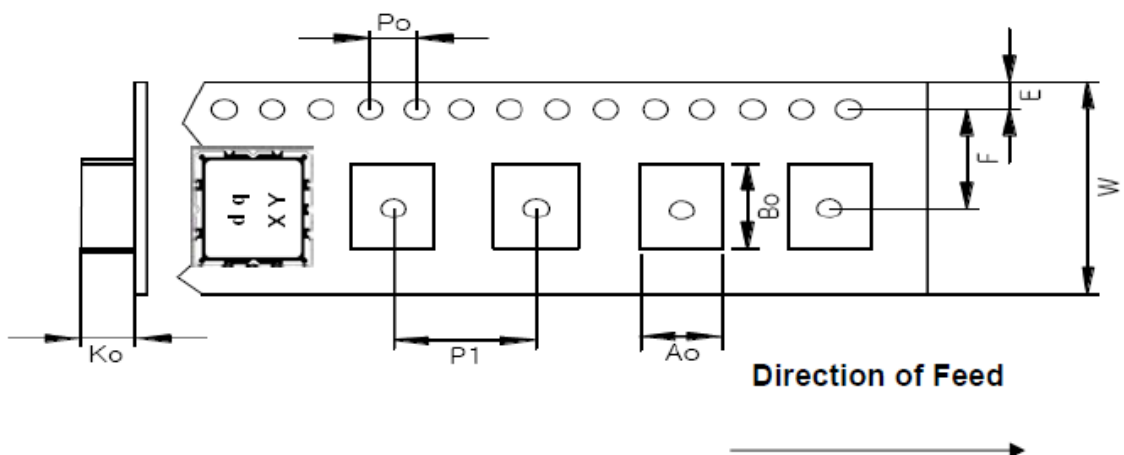
1. REEL DIMENSION



(Unit : mm)

A	N	H	W1	W2
$\Phi 13 \pm 0.5$	$\Phi 62 \pm 1.0$	$\Phi 330.0 \pm 1.0$	12.0 ± 1.0	16.0 ± 1.0

2. TAPE DIMENSION



A	B	K0	W	E	F	P0	P1
3.4 ± 0.1	3.4 ± 0.1	1.4 ± 0.1	12.0 ± 0.3	1.75 ± 0.1	5.5 ± 0.1	4.0 ± 0.1	8.0 ± 0.1

F. RECOMMENDED REFLOW PROFILE :

