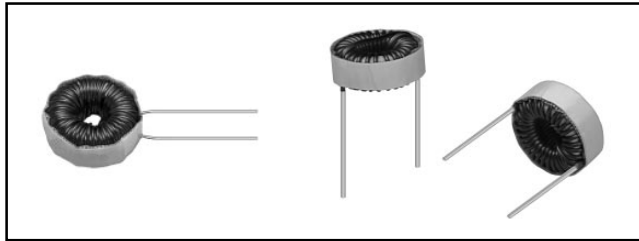


Inductors

Toroid, High Current


FEATURES

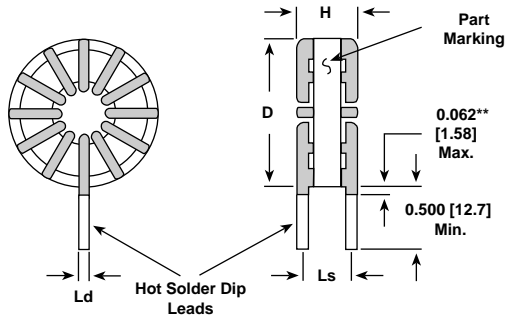
- Printed circuit mounting.
- Wide range of inductance and current ratings.
- Toroid design reduces EMI.
- Vertical or horizontal mounting to optimize P.C. Board layout.

APPLICATIONS

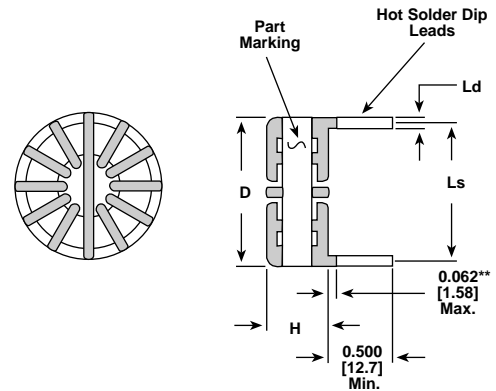
Switching power supplies, EMI/RFI filtering, output chokes.

DIMENSIONAL CONFIGURATIONS* [Numbers in brackets indicate millimeters]

Vertical Mount
(Mounting/Coating Code - 1U)



Horizontal Mount
(Mounting/Coating Code - 2U)



MODEL	DIAMETER (D) (Max.)	HEIGHT (H) (Max.)	NOMINAL LEAD SPACING (Ls)	NOMINAL LEAD DIAMETER (Ld)	MODEL	DIAMETER (D) (Max.)	HEIGHT (H) (Max.)	NOMINAL LEAD SPACING (Ls)	NOMINAL LEAD DIAMETER (Ld)
TJ3	0.65 [16.5]	0.30 [7.6]	0.26 ± 0.04 [6.60 ± 1.02]	See TJ3 Data	TJ3	0.66 [16.8]	0.32 [8.1]	0.58 ± 0.08 [14.7 ± 2.03]	See TJ3 Data
TJ4	0.88 [22.4]	0.40 [10.2]	0.31 ± 0.09 [7.87 ± 2.29]	See TJ4 Data	TJ4	0.88 [22.4]	0.40 [10.2]	0.78 ± 0.10 [19.8 ± 2.54]	See TJ4 Data
TJ5	1.00 [25.4]	0.45 [11.4]	0.37 ± 0.08 [9.40 ± 2.03]	See TJ5 Data	TJ5	1.00 [25.4]	0.45 [11.4]	0.90 ± 0.10 [22.9 ± 2.54]	See TJ5 Data
TJ6	1.38 [35.1]	0.83 [21.1]	0.73 ± 0.10 [18.5 ± 2.54]	See TJ6 Data	TJ6	1.38 [35.1]	0.83 [21.1]	1.22 ± 0.16 [31.0 ± 4.06]	See TJ6 Data
TJ7	1.65 [41.9]	0.75 [19.1]	0.62 ± 0.13 [15.8 ± 3.30]	See TJ7 Data	TJ7	1.65 [41.9]	0.75 [19.1]	1.48 ± 0.17 [37.6 ± 4.32]	See TJ7 Data
TJ8	1.92 [48.8]	1.00 [25.4]	0.82 ± 0.18 [20.8 ± 4.57]	See TJ8 Data	TJ8	1.94 [49.3]	1.00 [25.4]	1.76 ± 0.18 [44.7 ± 4.57]	See TJ8 Data
TJ9	2.66 [67.6]	1.42 [36.1]	1.25 ± 0.17 [31.8 ± 4.32]	See TJ9 Data	TJ9	2.72 [69.1]	1.42 [36.1]	2.49 ± 0.23 [63.2 ± 5.84]	See TJ9 Data

*On larger units and units with finer wire, additional mechanical mounting is recommended. **Leads stripped to within .062" [1.58mm] of the coil.

ENVIRONMENTAL PERFORMANCE

TEST	CONDITIONS	SPECIFICATIONS
Thermal Shock	Test Condition B1	MIL-STD-202, Method 107
Resistance to Soldering Heat	—	MIL-STD-202, Method 210
Solderability	—	MIL-STD-202, Method 208

PART MARKING

- Vishay Dale
- Model number
- Date code



ELECTRICAL SPECIFICATION RANGES			
MODEL	INDUCTANCE RANGE ¹ (μ H)	DC RESISTANCE RANGE ² (Ohms)	RATED CURRENT RANGE ³ (Amps)
TJ3	1.2 - 1500	0.006 - 1.476	10.0 - 0.5
TJ4	1.2 - 1500	0.006 - 0.952	10.7 - 0.9
TJ5	1.2 - 1500	0.006 - 0.539	10.1 - 1.3
TJ6	1.2 - 2700	0.004 - 0.499	16.0 - 2.0
TJ7	1.2 - 2700	0.005 - 0.359	16.0 - 2.7
TJ8	1.5 - 3900	0.005 - 0.304	18.5 - 3.2
TJ9	1.5 - 5600	0.004 - 0.224	20.0 - 5.0

1. Measured at 0.25 VRMS @ 10kHz.

2. DC Resistance measured @ + 25°C \pm 5°C.

3. Maximum continuous operating current based on a calculated temperature rise of 40°C.

STANDARD ELECTRICAL SPECIFICATIONS [Numbers in brackets indicate millimeters]														
MODEL	IND. (μ H)	TOL.	NOM. DCR (Ohms)	RATED CUR- RENT (Amps)	NOM. IND. @ 0 DC AMPS (μ H)	INDUCTANCE SHIFT WITH DC CURRENT*								LEAD DIAMETER "A"
						10% CUR- RENT (Amps)	MIN. IND. (μ H)	20% CUR- RENT (Amps)	MIN. IND. (μ H)	30% CUR- RENT (Amps)	MIN. IND. (μ H)	40% CUR- RENT (Amps)	MIN. IND. (μ H)	
TJ3-XX	1.2	\pm 20%	0.006	10.0	1.19	5.50	0.91	8.88	0.81	12.69	0.71	16.50	0.61	0.032 [.813]
TJ3-XX	1.5	\pm 20%	0.006	9.5	1.62	4.71	1.24	7.62	1.10	10.88	0.96	14.14	0.82	0.032 [.813]
TJ3-XX	2.2	\pm 15%	0.007	9.0	2.11	4.13	1.62	6.66	1.44	9.52	1.26	12.38	1.08	0.032 [.813]
TJ3-XX	2.7	\pm 15%	0.008	8.4	2.67	3.67	2.04	5.92	1.82	8.46	1.59	11.00	1.36	0.032 [.813]
TJ3-XX	3.3	\pm 15%	0.008	8.2	3.30	3.30	2.52	5.33	2.24	7.62	1.96	9.90	1.68	0.032 [.813]
TJ3-XX	3.9	\pm 15%	0.009	7.9	3.99	3.00	3.05	4.85	2.72	6.92	2.38	9.00	2.04	0.032 [.813]
TJ3-XX	4.7	\pm 15%	0.010	7.5	4.75	2.75	3.64	4.44	3.23	6.35	2.83	8.25	2.42	0.032 [.813]
TJ3-XX	5.6	\pm 15%	0.011	7.3	5.58	2.54	4.27	4.10	3.79	5.86	3.32	7.62	2.84	0.032 [.813]
TJ3-XX	6.8	\pm 15%	0.011	7.1	6.47	2.36	4.95	3.81	4.40	5.44	3.85	7.07	3.30	0.032 [.813]
TJ3-XX	8.2	\pm 15%	0.013	6.6	8.45	2.06	6.46	3.33	5.74	4.76	5.03	6.19	4.31	0.032 [.813]
TJ3-XX	10.0	\pm 15%	0.013	6.5	9.54	1.94	7.30	3.14	6.49	4.48	5.67	5.82	4.86	0.032 [.813]
TJ3-XX	12.0	\pm 15%	0.015	6.1	11.91	1.74	9.11	2.81	8.10	4.01	7.09	5.21	6.08	0.032 [.813]
TJ3-XX	15.0	\pm 15%	0.016	5.9	14.55	1.57	11.13	2.54	9.90	3.63	8.66	4.71	7.42	0.032 [.813]
TJ3-XX	18.0	\pm 15%	0.017	5.6	17.46	1.43	13.35	2.32	11.87	3.31	10.39	4.30	8.90	0.032 [.813]
TJ3-XX	22.0	\pm 15%	0.024	4.6	22.31	1.27	17.07	2.05	15.17	2.93	13.27	3.81	11.38	0.029 [.737]
TJ3-XX	27.0	\pm 15%	0.026	4.4	27.75	1.14	21.23	1.84	18.87	2.63	16.51	3.41	14.15	0.029 [.737]
TJ3-XX	33.0	\pm 15%	0.029	4.3	33.79	1.03	25.85	1.67	22.98	2.38	20.11	3.09	17.23	0.029 [.737]
TJ3-XX	39.9	\pm 15%	0.038	3.7	38.15	0.97	29.18	1.57	25.94	2.24	22.70	2.91	19.46	0.025 [.635]
TJ3-XX	47.0	\pm 15%	0.043	3.5	47.65	0.87	36.45	1.40	32.40	2.00	28.35	2.61	24.30	0.025 [.635]
TJ3-XX	56.0	\pm 15%	0.057	3.1	55.47	0.80	42.44	1.30	37.72	1.86	33.01	2.41	28.29	0.023 [.584]
TJ3-XX	68.0	\pm 15%	0.063	3.0	66.83	0.73	51.12	1.18	45.44	1.69	39.76	2.20	34.08	0.023 [.584]
TJ3-XX	82.0	\pm 15%	0.087	2.6	82.50	0.66	63.11	1.07	56.10	1.52	49.09	1.98	42.08	0.020 [.508]
TJ3-XX	100.0	\pm 15%	0.097	2.4	99.83	0.60	76.37	0.97	67.88	1.38	59.40	1.80	50.91	0.020 [.508]
TJ3-XX	120.0	\pm 15%	0.107	2.3	118.80	0.55	90.88	0.89	80.78	1.27	70.69	1.65	60.59	0.020 [.508]
TJ3-XX	150.0	\pm 15%	0.146	1.9	148.14	0.49	113.32	0.80	100.73	1.14	88.14	1.48	75.55	0.018 [.457]
TJ3-XX	180.0	\pm 15%	0.164	1.8	180.71	0.45	138.24	0.72	122.88	1.03	107.52	1.34	92.16	0.018 [.457]
TJ3-XX	200.0	\pm 15%	0.225	1.5	221.89	0.40	169.75	0.65	150.89	0.93	132.03	1.21	113.16	0.016 [.406]
TJ3-XX	270.0	\pm 15%	0.250	1.4	267.30	0.37	204.48	0.59	181.76	0.85	159.04	1.10	136.32	0.016 [.406]
TJ3-XX	330.0	\pm 15%	0.342	1.2	330.00	0.33	252.45	0.53	224.40	0.76	196.35	0.99	168.30	0.014 [.356]
TJ3-XX	390.0	\pm 15%	0.378	1.1	392.07	0.30	299.94	0.49	266.61	0.70	233.28	0.91	199.96	0.014 [.356]
TJ3-XX	470.0	\pm 15%	0.510	1.0	467.31	0.28	357.49	0.45	317.77	0.64	278.05	0.83	238.33	0.013 [.330]
TJ3-XX	560.0	\pm 15%	0.565	0.9	557.70	0.25	426.64	0.41	379.24	0.59	331.83	0.76	284.43	0.013 [.330]
TJ3-XX	680.0	\pm 15%	0.637	0.8	684.29	0.23	523.48	0.37	465.32	0.53	407.15	0.69	348.99	0.013 [.330]
TJ3-XX	820.0	\pm 15%	0.849	0.7	823.81	0.21	630.22	0.34	560.19	0.48	490.17	0.63	420.14	0.011 [.279]
TJ3-XX	1000.0	\pm 15%	0.951	0.7	999.11	0.19	764.32	0.31	679.39	0.44	594.47	0.57	509.55	0.011 [.279]
TJ3-XX	1200.0	\pm 15%	1.298	0.6	1203.87	0.17	920.96	0.28	818.63	0.40	716.30	0.52	613.98	0.010 [.254]
TJ3-XX	1500.0	\pm 15%	1.476	0.5	1497.18	0.15	1145.34	0.25	1018.08	0.36	890.82	0.46	763.56	0.010 [.254]

*The DC current values listed are typical values that drop the nominal inductance by the percent listed.



STANDARD ELECTRICAL SPECIFICATIONS [Numbers in brackets indicate millimeters]														
MODEL	IND. (μH)	TOL.	NOM. DCR (Ohms)	RATED CUR-RENT (Amps)	NOM. IND. @ 0 DC AMPS (μH)	INDUCTANCE SHIFT WITH DC CURRENT*								LEAD DIAMETER "A"
						10% CUR-RENT (Amps)	MIN. IND. (μH)	20% CUR-RENT (Amps)	MIN. IND. (μH)	30% CUR-RENT (Amps)	MIN. IND. (μH)	40% CUR-RENT (Amps)	MIN. IND. (μH)	
TJ4-XX	1.2	± 20%	0.006	10.7	1.09	8.75	0.83	14.14	0.74	20.20	0.65	26.26	0.55	0.032 [.813]
TJ4-XX	1.5	± 20%	0.006	10.2	1.57	7.29	1.20	11.78	1.06	16.83	0.93	21.88	0.80	0.032 [.813]
TJ4-XX	2.2	± 15%	0.007	9.7	2.13	6.25	1.63	10.10	1.45	14.43	1.27	18.75	1.09	0.032 [.813]
TJ4-XX	2.7	± 15%	0.008	9.5	2.78	5.47	2.13	8.84	1.89	12.62	1.66	16.41	1.42	0.032 [.813]
TJ4-XX	3.3	± 20%	0.009	8.8	3.52	4.86	2.70	7.85	2.40	11.22	2.10	14.59	1.80	0.032 [.813]
TJ4-XX	4.7	± 20%	0.010	8.5	4.35	4.38	3.33	7.07	2.96	10.10	2.59	13.13	2.22	0.032 [.813]
TJ4-XX	5.6	± 20%	0.010	8.3	5.26	3.98	4.03	6.43	3.58	9.18	3.13	11.93	2.68	0.032 [.813]
TJ4-XX	6.8	± 20%	0.011	8.1	6.26	3.65	4.79	5.89	4.26	8.42	3.73	10.94	3.19	0.032 [.813]
TJ4-XX	8.2	± 15%	0.013	7.8	8.53	3.13	6.52	5.05	5.80	7.21	5.07	9.38	4.35	0.032 [.813]
TJ4-XX	10.0	± 15%	0.013	7.4	9.79	2.92	7.49	4.71	6.66	6.73	5.82	8.75	4.99	0.032 [.813]
TJ4-XX	12.0	± 20%	0.015	7.1	12.57	2.57	9.62	4.16	8.55	5.94	7.48	7.72	6.41	0.032 [.813]
TJ4-XX	15.0	± 20%	0.017	6.8	15.70	2.30	12.01	3.72	10.68	5.31	9.34	6.91	8.01	0.032 [.813]
TJ4-XX	18.0	± 15%	0.017	6.7	17.40	2.19	13.31	3.53	11.83	5.05	10.35	6.56	8.87	0.032 [.813]
TJ4-XX	22.0	± 15%	0.019	6.5	21.05	1.99	16.11	3.21	14.32	4.59	12.53	5.97	10.74	0.032 [.813]
TJ4-XX	27.0	± 15%	0.021	6.1	27.19	1.75	20.80	2.83	18.49	4.04	16.18	5.25	13.87	0.032 [.813]
TJ4-XX	33.0	± 15%	0.024	5.8	34.10	1.56	26.09	2.52	23.19	3.61	20.29	4.69	17.39	0.032 [.813]
TJ4-XX	39.0	± 15%	0.025	5.7	39.15	1.46	29.95	2.36	26.62	3.37	23.29	4.38	19.97	0.032 [.813]
TJ4-XX	47.0	± 15%	0.028	5.5	47.37	1.33	36.24	2.14	32.21	3.06	28.19	3.98	24.16	0.032 [.813]
TJ4-XX	56.0	± 15%	0.031	5.2	56.38	1.22	43.13	1.96	38.34	2.81	33.54	3.65	28.75	0.032 [.813]
TJ4-XX	68.0	± 15%	0.040	4.6	66.16	1.12	50.62	1.81	44.99	2.59	39.37	3.37	33.74	0.029 [.737]
TJ4-XX	82.0	± 15%	0.045	4.4	80.43	1.02	61.53	1.64	54.69	2.35	47.86	3.05	41.02	0.029 [.737]
TJ4-XX	100.0	± 15%	0.062	3.7	100.22	0.91	76.67	1.47	68.15	2.10	59.63	2.73	51.11	0.025 [.635]
TJ4-XX	120.0	± 15%	0.070	3.5	122.19	0.83	93.48	1.33	83.09	1.91	72.70	2.48	62.32	0.025 [.635]
TJ4-XX	150.0	± 15%	0.079	3.3	151.42	0.74	115.84	1.20	102.97	1.71	90.10	2.23	77.23	0.025 [.635]
TJ4-XX	180.0	± 15%	0.105	2.9	178.18	0.68	136.30	1.10	121.16	1.58	106.01	2.05	90.87	0.023 [.584]
TJ4-XX	220.0	± 15%	0.118	2.7	219.28	0.62	167.75	1.00	149.11	1.42	130.47	1.85	111.83	0.023 [.584]
TJ4-XX	270.0	± 15%	0.162	2.3	271.48	0.55	207.68	0.89	184.61	1.28	161.53	1.66	138.46	0.020 [.508]
TJ4-XX	330.0	± 15%	0.181	2.2	329.25	0.50	251.88	0.81	223.89	1.16	195.90	1.51	167.92	0.020 [.508]
TJ4-XX	390.0	± 15%	0.243	1.9	392.59	0.46	300.33	0.74	266.96	1.06	233.59	1.38	200.22	0.018 [.457]
TJ4-XX	470.0	± 15%	0.269	1.8	470.50	0.42	359.93	0.68	319.94	0.97	279.95	1.26	239.95	0.018 [.457]
TJ4-XX	560.0	± 15%	0.297	1.7	555.45	0.39	424.92	0.63	377.71	0.89	330.49	1.16	283.28	0.018 [.457]
TJ4-XX	680.0	± 15%	0.406	1.4	679.69	0.35	519.96	0.57	462.19	0.81	404.41	1.05	346.64	0.016 [.406]
TJ4-XX	820.0	± 15%	0.452	1.3	816.45	0.32	624.59	0.52	555.19	0.74	485.79	0.96	416.39	0.016 [.406]
TJ4-XX	1000.0	± 15%	0.617	1.1	1005.02	0.29	768.84	0.47	683.42	0.66	597.99	0.86	512.56	0.014 [.356]
TJ4-XX	1200.0	± 15%	0.684	1.0	1198.69	0.26	916.99	0.43	815.11	0.61	713.22	0.79	611.33	0.014 [.356]
TJ4-XX	1500.0	± 15%	0.952	0.9	1504.93	0.24	1151.27	0.38	1023.35	0.54	895.43	0.71	767.51	0.013 [.330]
TJ5-XX	1.2	± 20%	0.006	10.1	1.15	10.63	0.88	17.18	0.78	24.54	0.68	31.90	0.59	0.032 [.813]
TJ5-XX	1.5	± 25%	0.007	9.5	1.66	8.86	1.27	14.32	1.13	20.45	0.99	26.59	0.84	0.032 [.813]
TJ5-XX	2.2	± 15%	0.008	9.0	2.25	7.60	1.72	12.27	1.53	17.53	1.34	22.79	1.15	0.032 [.813]
TJ5-XX	2.7	± 25%	0.009	8.6	2.94	6.65	2.25	10.74	2.00	15.34	1.75	19.94	1.50	0.032 [.813]
TJ5-XX	3.9	± 15%	0.010	8.2	3.73	5.91	2.85	9.54	2.53	13.63	2.22	17.72	1.90	0.032 [.813]
TJ5-XX	4.7	± 15%	0.010	7.9	4.60	5.32	3.52	8.59	3.13	12.27	2.74	15.95	2.35	0.032 [.813]
TJ5-XX	5.6	± 15%	0.011	7.7	5.57	4.83	4.26	7.81	3.78	11.16	3.31	14.50	2.84	0.032 [.813]
TJ5-XX	6.8	± 15%	0.012	7.5	6.62	4.43	5.07	7.16	4.50	10.23	3.94	13.29	3.38	0.032 [.813]
TJ5-XX	8.2	± 15%	0.013	7.3	7.77	4.09	5.95	6.61	5.29	9.44	4.63	12.27	3.96	0.032 [.813]
TJ5-XX	10.0	± 15%	0.015	7.0	10.35	3.54	7.92	5.73	7.04	8.18	6.16	10.63	5.28	0.032 [.813]
TJ5-XX	12.0	± 15%	0.016	6.9	11.78	3.32	9.01	5.37	8.01	7.67	7.01	9.97	6.01	0.032 [.813]

*The DC current values listed are typical values that drop the nominal inductance by the percent listed.



STANDARD ELECTRICAL SPECIFICATIONS [Numbers in brackets indicate millimeters]														
MODEL	IND. (μH)	TOL.	DCR MAX. (Ohms)	RATED CUR-RENT (Amps)	NOM. IND. @ 0 DC AMPS (μH)	INDUCTANCE SHIFT WITH DC CURRENT*								LEAD DIAMETER "A"
						10% CUR-RENT (Amps)	MIN. IND. (μH)	20% CUR-RENT (Amps)	MIN. IND. (μH)	30% CUR-RENT (Amps)	MIN. IND. (μH)	40% CUR-RENT (Amps)	MIN. IND. (μH)	
TJ5-XX	15.0	± 15%	0.017	6.6	14.90	2.95	11.40	4.77	10.13	6.82	8.87	8.86	7.60	0.032 [.813]
TJ5-XX	18.0	± 15%	0.019	6.4	18.40	2.66	14.08	4.29	12.51	6.14	10.95	7.98	9.38	0.032 [.813]
TJ5-XX	22.0	± 15%	0.021	6.2	22.26	2.42	17.03	3.90	15.14	5.58	13.25	7.25	11.35	0.032 [.813]
TJ5-XX	27.0	± 15%	0.023	6.0	26.50	2.22	20.27	3.58	18.02	5.11	15.77	6.65	13.51	0.032 [.813]
TJ5-XX	33.0	± 15%	0.025	5.7	33.53	1.97	25.65	3.18	22.80	4.54	19.95	5.91	17.10	0.032 [.813]
TJ5-XX	39.0	± 15%	0.027	5.5	38.69	1.83	29.59	2.96	26.31	4.23	23.02	5.50	19.73	0.032 [.813]
TJ5-XX	47.0	± 15%	0.029	5.3	47.10	1.66	36.03	2.68	32.03	3.83	28.03	4.99	24.02	0.032 [.813]
TJ5-XX	56.0	± 15%	0.032	5.2	56.35	1.52	43.11	2.45	38.32	3.51	33.53	4.56	28.74	0.032 [.813]
TJ5-XX	68.0	± 15%	0.035	5.1	66.42	1.40	50.81	2.26	45.17	3.23	39.52	4.20	33.88	0.032 [.813]
TJ5-XX	82.0	± 15%	0.038	5.0	81.14	1.27	62.08	2.05	55.18	2.92	48.28	3.80	41.38	0.032 [.813]
TJ5-XX	100.0	± 15%	0.042	4.9	97.34	1.16	74.46	1.87	66.19	2.67	57.91	3.47	49.64	0.032 [.813]
TJ5-XX	120.0	± 15%	0.047	4.8	119.65	1.04	91.53	1.68	81.36	2.41	71.19	3.13	61.02	0.032 [.813]
TJ5-XX	150.0	± 15%	0.054	4.7	149.45	0.93	114.33	1.51	101.63	2.15	88.93	2.80	76.22	0.032 [.813]
TJ5-XX	180.0	± 15%	0.060	4.6	182.57	0.84	139.67	1.36	124.15	1.95	108.63	2.53	93.11	0.032 [.813]
TJ5-XX	220.0	± 15%	0.067	4.2	219.01	0.77	167.54	1.24	148.92	1.78	130.31	2.31	111.69	0.032 [.813]
TJ5-XX	270.0	± 15%	0.092	3.7	272.73	0.69	208.64	1.12	185.46	1.59	162.28	2.07	139.09	0.029 [.737]
TJ5-XX	330.0	± 15%	0.104	3.5	332.35	0.63	254.25	1.01	226.00	1.44	197.75	1.88	169.50	0.029 [.737]
TJ5-XX	390.0	± 15%	0.138	2.9	389.34	0.58	297.85	0.93	264.75	1.33	231.66	1.73	198.57	0.025 [.635]
TJ5-XX	470.0	± 15%	0.154	2.8	469.25	0.53	358.97	0.85	319.09	1.21	279.20	1.58	239.32	0.025 [.635]
TJ5-XX	560.0	± 15%	0.205	2.3	556.60	0.48	425.80	0.78	378.49	1.12	331.18	1.45	283.87	0.023 [.584]
TJ5-XX	680.0	± 15%	0.232	2.2	684.66	0.44	523.77	0.70	465.57	1.01	407.38	1.31	349.18	0.023 [.584]
TJ5-XX	820.0	± 15%	0.260	2.1	825.98	0.40	631.87	0.64	561.66	0.92	491.46	1.19	421.25	0.023 [.584]
TJ5-XX	1000.0	± 15%	0.349	1.7	994.01	0.36	760.42	0.58	675.93	0.83	591.44	1.09	506.95	0.020 [.508]
TJ5-XX	1200.0	± 15%	0.393	1.6	1207.22	0.33	923.53	0.53	820.91	0.76	718.30	0.98	615.68	0.020 [.508]
TJ5-XX	1500.0	± 15%	0.539	1.3	1507.01	0.29	1152.86	0.47	1024.76	0.68	896.67	0.88	768.57	0.018 [.457]
TJ6-XX	1.2	± 20%	0.004	16.0	1.12	22.38	0.85	36.15	0.76	51.65	0.66	67.14	0.57	0.045 [1.14]
TJ6-XX	2.2	± 20%	0.005	16.0	1.98	16.78	1.52	27.11	1.35	38.73	1.18	50.35	1.01	0.045 [1.14]
TJ6-XX	3.3	± 20%	0.006	16.0	3.10	13.43	2.37	21.69	2.11	30.99	1.84	40.28	1.58	0.045 [1.14]
TJ6-XX	4.7	± 15%	0.007	16.0	4.46	11.19	3.41	18.08	3.04	25.82	2.66	33.57	2.28	0.045 [1.14]
TJ6-XX	5.6	± 25%	0.007	16.0	6.08	9.59	4.65	15.49	4.13	22.13	3.62	28.77	3.10	0.045 [1.14]
TJ6-XX	8.2	± 15%	0.008	15.2	7.94	8.39	6.07	13.56	5.40	19.37	4.72	25.18	4.05	0.045 [1.14]
TJ6-XX	10.0	± 15%	0.009	14.5	10.04	7.46	7.68	12.05	6.83	17.22	5.98	22.38	5.12	0.045 [1.14]
TJ6-XX	12.0	± 15%	0.010	13.9	12.40	6.71	9.49	10.85	8.43	15.49	7.38	20.14	6.32	0.045 [1.14]
TJ6-XX	15.0	± 15%	0.011	13.3	15.00	6.10	11.48	9.86	10.20	14.09	8.93	18.31	7.65	0.045 [1.14]
TJ6-XX	18.0	± 15%	0.012	12.7	17.86	5.59	13.66	9.04	12.14	12.91	10.62	16.78	9.11	0.045 [1.14]
TJ6-XX	22.0	± 15%	0.012	12.5	20.96	5.16	16.03	8.34	14.25	11.92	12.47	15.49	10.69	0.045 [1.14]
TJ6-XX	27.0	± 15%	0.014	11.8	27.90	4.48	21.34	7.23	18.97	10.33	16.60	13.43	14.23	0.045 [1.14]
TJ6-XX	33.0	± 15%	0.015	11.5	31.74	4.20	24.28	6.78	21.59	9.68	18.89	12.59	16.19	0.045 [1.14]
TJ6-XX	39.0	± 15%	0.017	11.0	40.18	3.73	30.73	6.03	27.32	8.61	23.90	11.19	20.49	0.045 [1.14]
TJ6-XX	47.0	± 15%	0.017	10.7	44.76	3.53	34.24	5.71	30.44	8.15	26.63	10.60	22.83	0.045 [1.14]
TJ6-XX	56.0	± 15%	0.019	10.4	54.68	3.20	41.83	5.16	37.19	7.38	32.54	9.59	27.89	0.045 [1.14]
TJ6-XX	68.0	± 15%	0.021	10.0	65.60	2.92	50.18	4.72	44.61	6.74	39.03	8.76	33.45	0.045 [1.14]
TJ6-XX	82.0	± 15%	0.023	9.5	83.82	2.58	64.13	4.17	57.00	5.96	49.88	7.75	42.75	0.045 [1.14]
TJ6-XX	100.0	± 15%	0.025	9.2	97.22	2.40	74.37	3.87	66.11	5.53	57.84	7.19	49.58	0.045 [1.14]
TJ6-XX	120.0	± 15%	0.027	8.8	119.16	2.17	91.16	3.50	81.03	5.00	70.90	6.50	60.77	0.045 [1.14]
TJ6-XX	150.0	± 15%	0.031	8.6	151.90	1.92	116.20	3.10	103.29	4.43	90.38	5.75	77.47	0.045 [1.14]
TJ6-XX	180.0	± 15%	0.033	8.5	179.06	1.77	136.98	2.85	121.76	4.08	106.54	5.30	91.32	0.045 [1.14]

*The DC current values listed are typical values that drop the nominal inductance by the percent listed.



STANDARD ELECTRICAL SPECIFICATIONS [Numbers in brackets indicate millimeters]														
MODEL	IND. (μH)	TOL.	DCR MAX. (Ohms)	RATED CUR-RENT (Amps)	NOM. IND. @ 0 DC AMPS (μH)	INDUCTANCE SHIFT WITH DC CURRENT*								LEAD DIAMETER "A"
						10% CUR-RENT (Amps)	MIN. IND. (μH)	20% CUR-RENT (Amps)	MIN. IND. (μH)	30% CUR-RENT (Amps)	MIN. IND. (μH)	40% CUR-RENT (Amps)	MIN. IND. (μH)	
TJ6-XX	220.0	± 15%	0.037	8.4	218.74	1.60	167.33	2.58	148.74	3.69	130.15	4.80	111.56	0.045 [1.14]
TJ6-XX	270.0	± 15%	0.058	7.4	273.92	1.43	209.55	2.31	186.26	3.30	162.98	4.29	139.70	0.040 [1.02]
TJ6-XX	330.0	± 15%	0.065	7.0	335.30	1.29	256.50	2.09	228.00	2.98	199.50	3.87	171.00	0.040 [1.02]
TJ6-XX	390.0	± 15%	0.070	6.7	388.86	1.20	297.48	1.94	264.43	2.77	231.37	3.60	198.32	0.040 [1.02]
TJ6-XX	470.0	± 15%	0.101	5.5	476.66	1.08	364.64	1.75	324.13	2.50	283.61	3.25	243.09	0.036 [914]
TJ6-XX	560.0	± 15%	0.110	5.3	556.64	1.00	425.83	1.62	378.51	2.31	331.20	3.01	283.88	0.036 [914]
TJ6-XX	680.0	± 15%	0.129	4.4	679.02	0.91	519.45	1.47	461.74	2.09	404.02	2.72	346.30	0.032 [813]
TJ6-XX	820.0	± 15%	0.143	4.2	813.56	0.83	622.38	1.34	553.22	1.91	484.07	2.49	414.92	0.032 [813]
TJ6-XX	1000.0	± 15%	0.160	4.0	1004.40	0.75	768.37	1.21	682.99	1.72	597.62	2.24	512.24	0.032 [813]
TJ6-XX	1200.0	± 15%	0.209	3.3	1190.90	0.69	911.04	1.11	809.81	1.58	708.58	2.06	607.36	0.029 [737]
TJ6-XX	1500.0	± 15%	0.238	3.1	1500.40	0.61	1147.81	0.99	1020.27	1.41	892.74	1.83	765.20	0.029 [737]
TJ6-XX	1800.0	± 15%	0.323	2.6	1785.60	0.56	1365.98	0.90	1214.21	1.29	1062.43	1.68	910.66	0.025 [635]
TJ6-XX	2200.0	± 15%	0.363	2.5	2193.44	0.50	1677.98	0.82	1491.54	1.16	1305.09	1.51	1118.65	0.025 [635]
TJ6-XX	2700.0	± 15%	0.499	2.0	2716.10	0.45	2077.81	0.73	1846.95	1.05	1616.08	1.36	1385.21	0.023 [584]
TJ7-XX	1.2	± 20%	0.005	16.0	1.30	21.41	0.99	34.59	0.88	49.42	0.77	64.24	0.66	0.045 [1.14]
TJ7-XX	2.2	± 20%	0.006	16.0	2.03	17.13	1.55	27.67	1.38	39.53	1.20	51.39	1.03	0.045 [1.14]
TJ7-XX	2.7	± 20%	0.007	16.0	2.92	14.28	2.23	23.06	1.98	32.95	1.74	42.83	1.49	0.045 [1.14]
TJ7-XX	3.9	± 15%	0.008	16.0	3.97	12.24	3.04	19.77	2.70	28.24	2.36	36.71	2.02	0.045 [1.14]
TJ7-XX	5.6	± 20%	0.009	16.0	5.18	10.71	3.97	17.30	3.53	24.71	3.08	32.12	2.64	0.045 [1.14]
TJ7-XX	6.8	± 15%	0.010	16.0	6.56	9.52	5.02	15.37	4.46	21.96	3.90	28.55	3.35	0.045 [1.14]
TJ7-XX	8.2	± 15%	0.010	15.5	8.10	8.57	6.20	13.84	5.51	19.77	4.82	25.70	4.13	0.045 [1.14]
TJ7-XX	10.0	± 15%	0.011	14.9	9.80	7.79	7.50	12.58	6.66	17.97	5.83	23.36	5.00	0.045 [1.14]
TJ7-XX	12.0	± 15%	0.012	14.4	11.66	7.14	8.92	11.53	7.93	16.47	6.94	21.41	5.95	0.045 [1.14]
TJ7-XX	15.0	± 20%	0.013	13.5	15.88	6.12	12.15	9.88	10.80	14.12	9.45	18.36	8.10	0.045 [1.14]
TJ7-XX	18.0	± 15%	0.014	13.0	18.23	5.71	13.94	9.22	12.39	13.18	10.84	17.13	9.29	0.045 [1.14]
TJ7-XX	22.0	± 20%	0.015	12.8	20.74	5.35	15.86	8.65	14.10	12.35	12.34	16.06	10.58	0.045 [1.14]
TJ7-XX	27.0	± 15%	0.016	12.2	26.24	4.76	20.08	7.69	17.85	10.98	15.62	14.28	13.38	0.045 [1.14]
TJ7-XX	33.0	± 15%	0.018	11.6	32.40	4.28	24.79	6.92	22.03	9.88	19.28	12.85	16.52	0.045 [1.14]
TJ7-XX	39.0	± 15%	0.019	11.2	39.20	3.89	29.99	6.29	26.66	8.99	23.33	11.68	19.99	0.045 [1.14]
TJ7-XX	47.0	± 15%	0.020	10.8	46.66	3.57	35.69	5.77	31.73	8.24	27.76	10.71	23.79	0.045 [1.14]
TJ7-XX	56.0	± 15%	0.022	10.5	54.76	3.29	41.89	5.32	37.23	7.60	32.58	9.88	27.93	0.045 [1.14]
TJ7-XX	68.0	± 15%	0.024	10.0	68.12	2.95	52.11	4.77	46.32	6.82	40.53	8.86	34.74	0.045 [1.14]
TJ7-XX	82.0	± 15%	0.026	9.6	82.94	2.68	63.45	4.32	56.40	6.18	49.35	8.03	42.30	0.045 [1.14]
TJ7-XX	100.0	± 15%	0.027	9.2	99.23	2.45	75.91	3.95	67.47	5.65	59.04	7.34	50.60	0.045 [1.14]
TJ7-XX	120.0	± 15%	0.030	8.9	116.96	2.25	89.48	3.64	79.54	5.20	69.59	6.76	59.65	0.045 [1.14]
TJ7-XX	150.0	± 15%	0.033	8.6	149.77	1.99	114.57	3.22	101.84	4.60	89.11	5.98	76.38	0.045 [1.14]
TJ7-XX	180.0	± 15%	0.036	8.5	178.93	1.82	136.88	2.94	121.67	4.21	106.46	5.47	91.25	0.045 [1.14]
TJ7-XX	220.0	± 15%	0.040	8.4	219.02	1.65	167.55	2.66	148.94	3.80	130.32	4.94	111.70	0.045 [1.14]
TJ7-XX	270.0	± 15%	0.046	8.3	272.48	1.48	208.45	2.39	185.29	3.41	162.13	4.43	138.97	0.045 [1.14]
TJ7-XX	330.0	± 15%	0.051	8.2	331.78	1.34	253.81	2.16	225.61	3.09	197.41	4.02	169.21	0.045 [1.14]
TJ7-XX	390.0	± 15%	0.053	7.9	385.64	1.24	295.02	2.01	262.24	2.86	229.46	3.72	196.68	0.045 [1.14]
TJ7-XX	470.0	± 15%	0.060	7.5	467.86	1.13	357.91	1.82	318.14	2.60	278.37	3.38	238.61	0.045 [1.14]
TJ7-XX	560.0	± 15%	0.066	7.2	558.01	1.03	426.88	1.67	379.45	2.38	332.02	3.10	284.58	0.045 [1.14]
TJ7-XX	680.0	± 15%	0.090	5.9	685.58	0.93	524.47	1.50	466.20	2.15	407.92	2.79	349.65	0.040 [1.02]
TJ7-XX	820.0	± 15%	0.101	5.6	826.28	0.85	632.10	1.37	561.87	1.96	491.64	2.54	421.40	0.040 [1.02]
TJ7-XX	1000.0	± 15%	0.136	4.7	998.00	0.77	763.47	1.25	678.64	1.78	593.81	2.32	508.98	0.036 [914]
TJ7-XX	1200.0	± 15%	0.152	4.4	1205.60	0.70	922.29	1.13	819.81	1.62	717.33	2.11	614.86	0.036 [914]
TJ7-XX	1500.0	± 15%	0.174	4.2	1498.18	0.63	1146.10	1.02	1018.76	1.45	891.41	1.89	764.07	0.036 [914]

*The DC current values listed are typical values that drop the nominal inductance by the percent listed.



STANDARD ELECTRICAL SPECIFICATIONS [Numbers in brackets indicate millimeters]														
MODEL	IND. (μH)	TOL.	DCR MAX. (Ohms)	RATED CUR-RENT (Amps)	NOM. IND. @ 0 DC AMPS (μH)	INDUCTANCE SHIFT WITH DC CURRENT*								LEAD DIAMETER "A"
						10% CUR-RENT (Amps)	MIN. IND. (μH)	20% CUR-RENT (Amps)	MIN. IND. (μH)	30% CUR-RENT (Amps)	MIN. IND. (μH)	40% CUR-RENT (Amps)	MIN. IND. (μH)	
TJ7-XX	1800.0	± 15%	0.233	3.5	1798.28	0.57	1375.68	0.93	1222.83	1.33	1069.98	1.72	917.12	0.032 [.813]
TJ7-XX	2200.0	± 15%	0.263	3.3	2205.23	0.52	1687.00	0.84	1499.55	1.20	1312.11	1.56	1124.66	0.032 [.813]
TJ7-XX	2700.0	± 15%	0.359	2.7	2712.61	0.47	2075.15	0.76	1844.57	1.08	1614.00	1.40	1383.43	0.029 [.737]
TJ8-XX	1.5	± 20%	0.005	18.5	1.60	26.12	1.22	42.20	1.09	60.28	0.95	78.36	0.82	0.051 [1.30]
TJ8-XX	2.7	± 20%	0.006	18.5	2.50	20.90	1.91	33.76	1.70	48.22	1.49	62.69	1.28	0.051 [1.30]
TJ8-XX	3.9	± 20%	0.007	18.5	3.60	17.41	2.75	28.13	2.45	40.19	2.14	52.24	1.84	0.051 [1.30]
TJ8-XX	4.7	± 15%	0.008	18.5	4.90	14.93	3.75	24.11	3.33	34.45	2.92	44.78	2.50	0.051 [1.30]
TJ8-XX	6.8	± 20%	0.009	18.5	6.40	13.06	4.90	21.10	4.35	30.14	3.81	39.18	3.26	0.051 [1.30]
TJ8-XX	8.2	± 15%	0.010	18.5	8.10	11.61	6.20	18.75	5.51	26.79	4.82	34.83	4.13	0.051 [1.30]
TJ8-XX	10.0	± 15%	0.011	18.5	10.00	10.45	7.65	16.88	6.80	24.11	5.95	31.35	5.10	0.051 [1.30]
TJ8-XX	12.0	± 15%	0.012	18.0	12.10	9.50	9.26	15.34	8.23	21.92	7.20	28.50	6.17	0.051 [1.30]
TJ8-XX	15.0	± 20%	0.013	17.3	14.40	8.71	11.02	14.07	9.79	20.09	8.57	26.12	7.34	0.051 [1.30]
TJ8-XX	18.0	± 20%	0.014	16.6	16.90	8.04	12.93	12.98	11.49	18.55	10.06	24.11	8.62	0.051 [1.30]
TJ8-XX	22.0	± 15%	0.015	15.5	22.50	6.97	17.21	11.25	15.30	16.07	13.39	20.90	11.48	0.051 [1.30]
TJ8-XX	27.0	± 15%	0.016	15.0	25.60	6.53	19.58	10.55	17.41	15.07	15.23	19.59	13.06	0.051 [1.30]
TJ8-XX	33.0	± 15%	0.017	14.1	32.40	5.80	24.79	9.38	22.03	13.40	19.28	17.41	16.52	0.051 [1.30]
TJ8-XX	39.0	± 15%	0.019	13.4	40.00	5.22	30.60	8.44	27.20	12.06	23.80	15.67	20.40	0.051 [1.30]
TJ8-XX	47.0	± 15%	0.021	12.8	48.40	4.75	37.03	7.67	32.91	10.96	28.80	14.25	24.68	0.051 [1.30]
TJ8-XX	56.0	± 15%	0.022	12.2	57.60	4.35	44.06	7.03	39.17	10.05	34.27	13.06	29.38	0.051 [1.30]
TJ8-XX	68.0	± 15%	0.024	11.7	67.60	4.02	51.71	6.49	45.97	9.27	40.22	12.06	34.48	0.051 [1.30]
TJ8-XX	82.0	± 15%	0.025	11.1	84.10	3.60	64.34	5.82	57.19	8.31	50.04	10.81	42.89	0.051 [1.30]
TJ8-XX	100.0	± 15%	0.027	10.6	102.40	3.27	78.34	5.27	69.63	7.53	60.93	9.80	52.22	0.051 [1.30]
TJ8-XX	120.0	± 15%	0.029	10.1	122.50	2.99	93.71	4.82	83.30	6.89	72.89	8.96	62.48	0.051 [1.30]
TJ8-XX	150.0	± 15%	0.032	9.6	152.10	2.68	116.36	4.33	103.43	6.18	90.50	8.04	77.57	0.051 [1.30]
TJ8-XX	180.0	± 15%	0.034	9.2	176.40	2.49	134.95	4.02	119.95	5.74	104.96	7.46	89.96	0.051 [1.30]
TJ8-XX	220.0	± 15%	0.036	8.7	220.90	2.22	168.99	3.59	150.21	5.13	131.44	6.67	112.66	0.051 [1.30]
TJ8-XX	270.0	± 15%	0.040	8.3	270.40	2.01	206.86	3.25	183.87	4.64	160.89	6.03	137.90	0.051 [1.30]
TJ8-XX	330.0	± 15%	0.044	7.9	324.90	1.83	248.55	2.96	220.93	4.23	193.32	5.50	165.70	0.051 [1.30]
TJ8-XX	390.0	± 15%	0.047	7.6	384.40	1.69	294.07	2.72	261.39	3.89	228.72	5.06	196.04	0.051 [1.30]
TJ8-XX	470.0	± 15%	0.053	7.2	476.10	1.51	364.22	2.45	323.75	3.49	283.28	4.54	242.81	0.051 [1.30]
TJ8-XX	560.0	± 15%	0.058	6.9	562.50	1.39	430.31	2.25	382.50	3.21	334.69	4.18	286.88	0.051 [1.30]
TJ8-XX	680.0	± 15%	0.064	6.6	672.40	1.27	514.39	2.06	457.23	2.94	400.08	3.82	342.92	0.051 [1.30]
TJ8-XX	820.0	± 15%	0.071	6.2	828.10	1.15	633.50	1.85	563.11	2.65	492.72	3.44	422.33	0.051 [1.30]
TJ8-XX	1000.0	± 15%	0.077	6.0	1000.0	1.04	765.00	1.69	680.00	2.41	595.00	3.13	510.00	0.051 [1.30]
TJ8-XX	1200.0	± 15%	0.104	5.1	1210.00	0.95	925.65	1.53	822.80	2.19	719.95	2.85	617.10	0.045 [1.14]
TJ8-XX	1500.0	± 15%	0.118	4.9	1488.40	0.86	1138.63	1.38	1012.11	1.98	885.60	2.57	759.08	0.045 [1.14]
TJ8-XX	1800.0	± 15%	0.159	4.2	1795.60	0.78	1373.63	1.26	1221.01	1.80	1068.38	2.34	915.76	0.040 [1.02]
TJ8-XX	2200.0	± 15%	0.179	4.0	2190.40	0.71	1675.66	1.14	1489.47	1.63	1303.29	2.12	1117.10	0.040 [1.02]
TJ8-XX	2700.0	± 15%	0.203	3.9	2689.60	0.64	2057.54	1.03	1828.93	1.47	1600.31	1.91	1371.70	0.040 [1.02]
TJ8-XX	3300.0	± 15%	0.277	3.3	3312.40	0.57	2533.99	0.93	2252.43	1.32	1970.88	1.72	1689.32	0.036 [.914]
TJ8-XX	3900.0	± 15%	0.304	3.2	3880.90	0.53	2968.89	0.86	2639.01	1.22	2309.14	1.59	1979.26	0.036 [.914]
TJ9-XX	1.5	± 15%	0.004	20.0	1.44	50.35	1.10	81.33	0.98	116.18	0.86	151.04	0.73	0.064 [1.63]
TJ9-XX	2.7	± 15%	0.005	20.0	2.56	37.76	1.96	61.00	1.74	87.14	1.52	113.28	1.31	0.064 [1.63]
TJ9-XX	3.9	± 15%	0.006	20.0	4.00	30.21	3.06	48.80	2.72	69.71	2.38	90.62	2.04	0.064 [1.63]
TJ9-XX	5.6	± 15%	0.007	20.0	5.76	25.17	4.41	40.66	3.92	58.09	3.43	75.52	2.94	0.064 [1.63]
TJ9-XX	8.2	± 15%	0.008	20.0	7.84	21.58	6.00	34.85	5.33	49.79	4.66	64.73	4.00	0.064 [1.63]
TJ9-XX	10.0	± 15%	0.009	20.0	10.24	18.88	7.83	30.50	6.96	43.57	6.09	56.64	5.22	0.064 [1.63]

*The DC current values listed are typical values that drop the nominal inductance by the percent listed.



STANDARD ELECTRICAL SPECIFICATIONS [Numbers in brackets indicate millimeters]														
MODEL	IND. (μH)	TOL.	DCR MAX. (Ohms)	RATED CUR-RENT (Amps)	NOM. IND. @ 0 DC AMPS (μH)	INDUCTANCE SHIFT WITH DC CURRENT*								LEAD DIAMETER "A"
						10% CUR-RENT (Amps)	MIN. IND. (μH)	20% CUR-RENT (Amps)	MIN. IND. (μH)	30% CUR-RENT (Amps)	MIN. IND. (μH)	40% CUR-RENT (Amps)	MIN. IND. (μH)	
TJ9-XX	12.0	± 20%	0.010	20.0	12.96	16.78	9.91	27.11	8.81	38.73	7.71	50.35	6.61	0.064 [1.63]
TJ9-XX	15.0	± 20%	0.011	20.0	16.00	15.10	12.24	24.40	10.88	34.85	9.52	45.31	8.16	0.064 [1.63]
TJ9-XX	18.0	± 20%	0.012	20.0	19.36	13.73	14.81	22.18	13.16	31.69	11.52	41.19	9.87	0.064 [1.63]
TJ9-XX	22.0	± 20%	0.013	20.0	23.04	12.59	17.63	20.33	15.67	29.05	13.71	37.76	11.75	0.064 [1.63]
TJ9-XX	27.0	± 15%	0.014	20.0	27.04	11.62	20.69	18.77	18.39	26.81	16.09	34.85	13.79	0.064 [1.63]
TJ9-XX	33.0	± 15%	0.015	20.0	31.36	10.79	23.99	17.43	21.32	24.90	18.66	32.37	15.99	0.064 [1.63]
TJ9-XX	39.0	± 20%	0.016	20.0	40.96	9.44	31.33	15.25	27.85	21.78	24.37	28.32	20.89	0.064 [1.63]
TJ9-XX	47.0	± 15%	0.017	20.0	46.24	8.88	35.37	14.35	31.44	20.50	27.51	26.65	23.58	0.064 [1.63]
TJ9-XX	56.0	± 15%	0.018	19.9	57.76	7.95	44.19	12.84	39.28	18.34	34.37	23.85	29.46	0.064 [1.63]
TJ9-XX	68.0	± 15%	0.019	19.0	70.56	7.19	53.98	11.62	47.98	16.60	41.98	21.58	35.99	0.064 [1.63]
TJ9-XX	82.0	± 15%	0.020	18.3	84.64	6.57	64.75	10.61	57.56	15.15	50.36	19.70	43.17	0.064 [1.63]
TJ9-XX	100.0	± 15%	0.021	17.6	100.00	6.04	76.50	9.76	68.00	13.94	59.50	18.12	51.00	0.064 [1.63]
TJ9-XX	120.0	± 15%	0.022	17.0	116.64	5.59	89.23	9.04	79.32	12.91	69.40	16.78	59.49	0.064 [1.63]
TJ9-XX	150.0	± 15%	0.025	15.9	153.76	4.87	117.63	7.87	104.56	11.24	91.49	14.62	78.42	0.064 [1.63]
TJ9-XX	180.0	± 15%	0.028	15.3	184.96	4.44	141.49	7.18	125.77	10.25	110.05	13.33	94.33	0.064 [1.63]
TJ9-XX	220.0	± 15%	0.030	14.7	219.04	4.08	167.57	6.59	148.95	9.42	130.33	12.25	111.71	0.064 [1.63]
TJ9-XX	270.0	± 15%	0.033	14.0	268.96	3.68	205.75	5.95	182.89	8.50	160.03	11.05	137.17	0.064 [1.63]
TJ9-XX	330.0	± 15%	0.036	13.4	324.00	3.36	247.86	5.42	220.32	7.75	192.78	10.07	165.24	0.064 [1.63]
TJ9-XX	390.0	± 15%	0.038	12.9	384.16	3.08	293.88	4.98	261.23	7.11	228.58	9.25	195.92	0.064 [1.63]
TJ9-XX	470.0	± 15%	0.042	12.4	466.56	2.80	356.92	4.52	317.26	6.45	277.60	8.39	237.95	0.064 [1.63]
TJ9-XX	560.0	± 15%	0.043	11.9	556.96	2.56	426.07	4.14	378.73	5.91	331.39	7.68	284.05	0.064 [1.63]
TJ9-XX	680.0	± 15%	0.048	11.3	676.00	2.32	517.14	3.75	459.68	5.36	402.22	6.97	344.76	0.064 [1.63]
TJ9-XX	820.0	± 15%	0.054	10.7	829.44	2.10	634.52	3.39	564.02	4.84	493.52	6.29	423.01	0.064 [1.63]
TJ9-XX	1000.0	± 15%	0.059	10.3	998.56	1.91	763.90	3.09	679.02	4.41	594.14	5.74	509.27	0.064 [1.63]
TJ9-XX	1200.0	± 15%	0.082	9.8	1211.04	1.74	926.45	2.80	823.51	4.01	720.57	5.21	617.63	0.057 [1.45]
TJ9-XX	1500.0	± 15%	0.091	9.3	1505.44	1.56	1151.66	2.52	1023.70	3.59	895.74	4.67	767.77	0.057 [1.45]
TJ9-XX	1800.0	± 15%	0.118	8.9	1797.76	1.42	1375.29	2.30	1222.48	3.29	1069.67	4.27	916.86	0.051 [1.30]
TJ9-XX	2200.0	± 15%	0.131	8.4	2190.24	1.29	1675.53	2.09	1489.36	2.98	1303.19	3.87	1117.02	0.051 [1.30]
TJ9-XX	2700.0	± 15%	0.147	8.0	2704.00	1.16	2068.56	1.88	1838.72	2.68	1608.88	3.49	1379.04	0.051 [1.30]
TJ9-XX	3300.0	± 15%	0.165	7.6	3317.76	1.05	2538.09	1.69	2256.08	2.42	1974.07	3.15	1692.06	0.051 [1.30]
TJ9-XX	3900.0	± 15%	0.181	5.2	3893.76	0.97	2978.73	1.56	2647.76	2.23	2316.79	2.90	1985.82	0.051 [1.30]
TJ9-XX	4700.0	± 15%	0.201	5.1	4678.56	0.88	3579.10	1.43	3181.42	2.04	2783.74	2.65	2386.07	0.051 [1.30]
TJ9-XX	5600.0	± 15%	0.224	5.0	5595.04	0.81	4280.21	1.30	3804.63	1.86	3329.05	2.42	2853.47	0.051 [1.30]

*The DC current values listed are typical values that drop the nominal inductance by the percent listed.

TJ5 MODEL	1U MOUNTING/COATING CODE	330μH INDUCTANCE VALUE	15% TOLERANCE
	1U = Unmounted vertical/uncoated (may not be self supporting). 2U = Unmounted horizontal/uncoated.		