

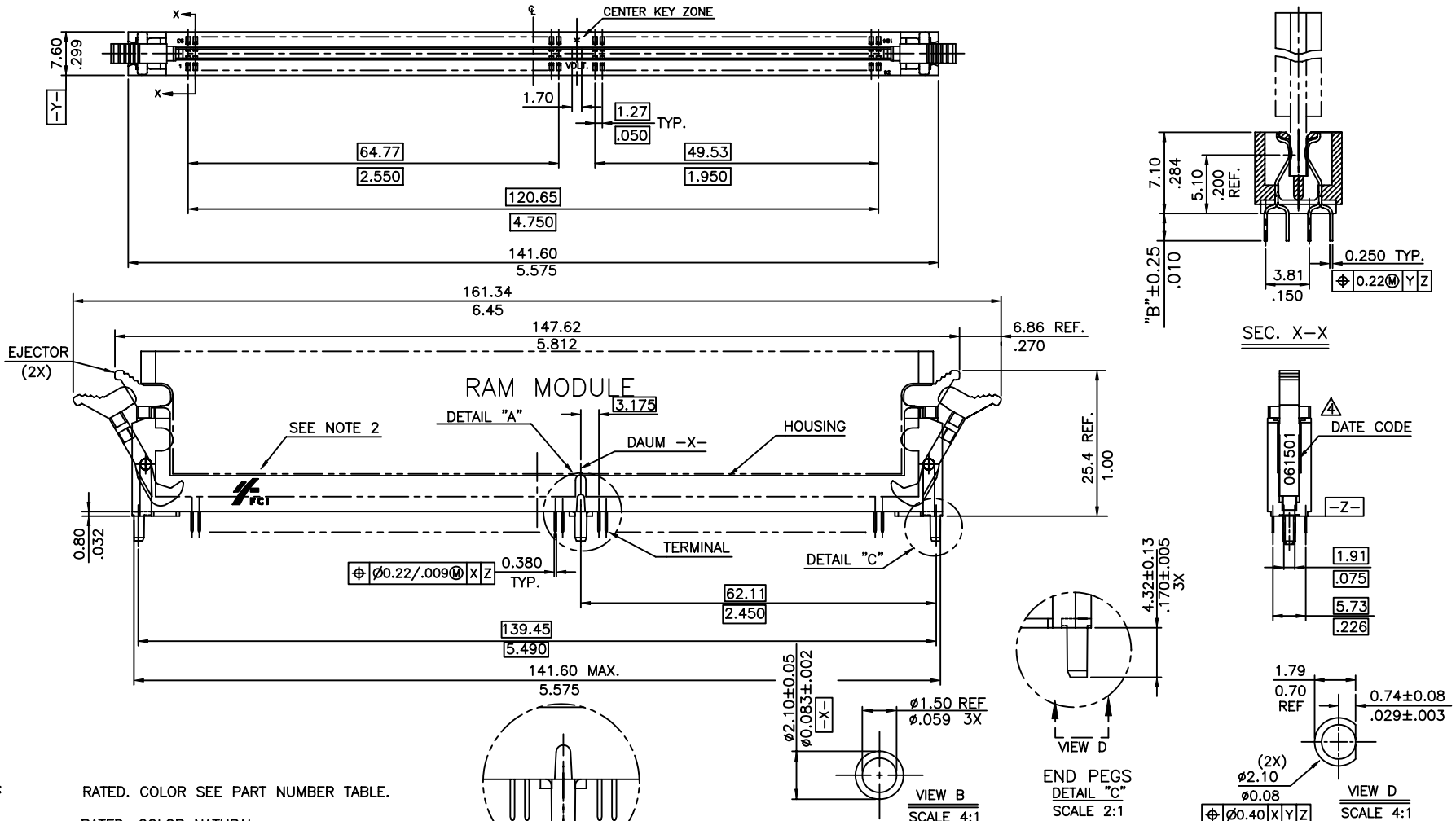
Tous droits strictement réservés. Reproduction ou communication a des tiers interdite sous quelque forme que ce soit sans autorisation écrite du propriétaire. Propriété de c FCI. Droits de reproduction FCI.

All rights strictly reserved. Reproduction or issue to third parties in any form whatever is not permitted without written authority from the proprietor. Property of FCI. Copyright FCI.

1 | 2

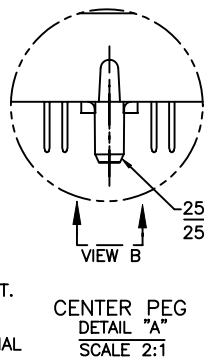
3 |

4



NOTE: RATED. COLOR SEE PART NUMBER TABLE.

- MATERIAL: RATED, COLOR NATURAL.
HOUSING: HIGH TEMPERATURE NYLON, GLASS FILLED UL94V-0
EJECTOR: HIGH TEMPERATURE NYLON, GLASS FILLED UL94V-0
TERMINAL: COPPER ALLOY.
- FCI LOGO TO BE APPROXIMATELY LOCATED AS SHOWN ON PRINT.
- PRODUCT SPECIFICATION: GS-12-146
- THE DATE CODE IS SHOWN "MM-DD-YY" FOR CUSTOMER SPECIAL REQUEST.
- THIS PRODUCT MEETS EUROPEAN UNION DIRECTIVES AND OTHER COUNTRY REGULATIONS AS DESCRIBED IN GS-22-008.
- THE HOUSING WILL WITHSTAND EXPOSURE TO 260 PEAK TEMPERATURE FOR 10 SECONDS IN A WAVE SOLDER APPLICATION.



mat'l. code				tolerances unless otherwise specified		CUSTOMER COPY		FCI	
ltr	ecn no	dr	date	linear	.X ± 0.38/.015	projection	title	www.fciconnect.com	
A	T20196	M W	06/25/02		.XX ± 0.25/.010	MM	DDR 184P .050" 1-ROW, V/T ASSY PLASTIC POST(AUTO LOCK)	product family DDR	
B	T03-0117	M W	04/14/03	angles	.XXX ± 0.15/.005			size	code
C	T03-0435	M W	10/01/03		0° ± 2°	scale	10008315	DG	
D	DG03-0080	DHu	11/12/03	dr	MAGGIE WU 03/07/02	1:1	A4	sheet	1 of 3
E	T05-0154	R C	07/13/05	engr	JEFF.HSIEH 03/07/02				
				chr	YUWEN CHU 03/07/02				
				appd	JENN TSAO 03/07/02				
sheet index	revision sheet	E	B						
		1	2	3					

1 | 2

3 |

4

ACAD

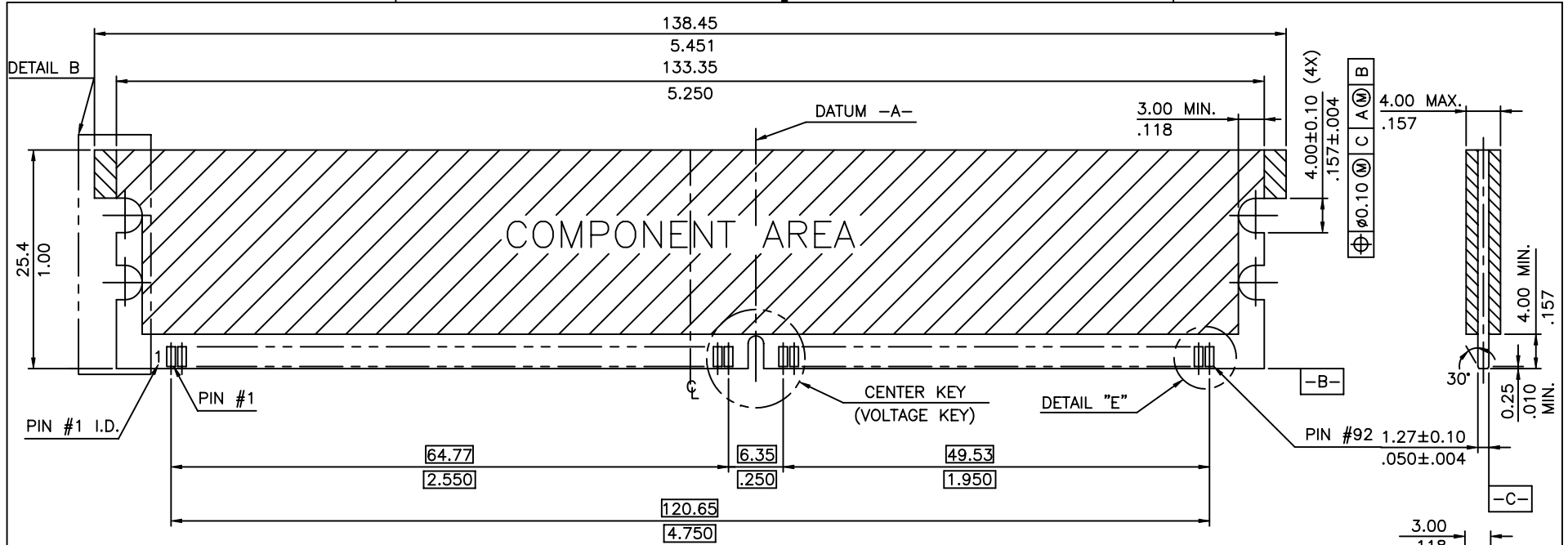
PDM: Rev:E

STATUS: Released

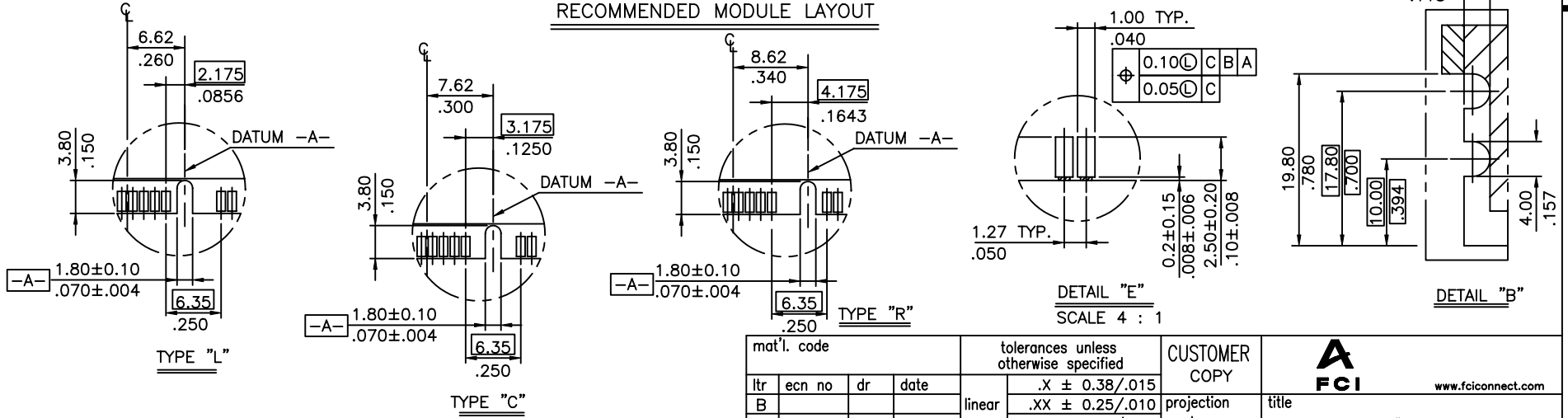
cage code
22526
Printed: Jan 23, 2010

Tous droits strictement réservés. Reproduction ou communication a des tiers interdite sous quelque forme que ce soit sans autorisation écrite du propriétaire. Propriété de c FCI. Droits de reproduction FCI.

All rights strictly reserved. Reproduction or issue to third parties in any form whatever is not permitted without written authority from the proprietor. Property of FCI. Copyright FCI.



RECOMMENDED MODULE LAYOUT

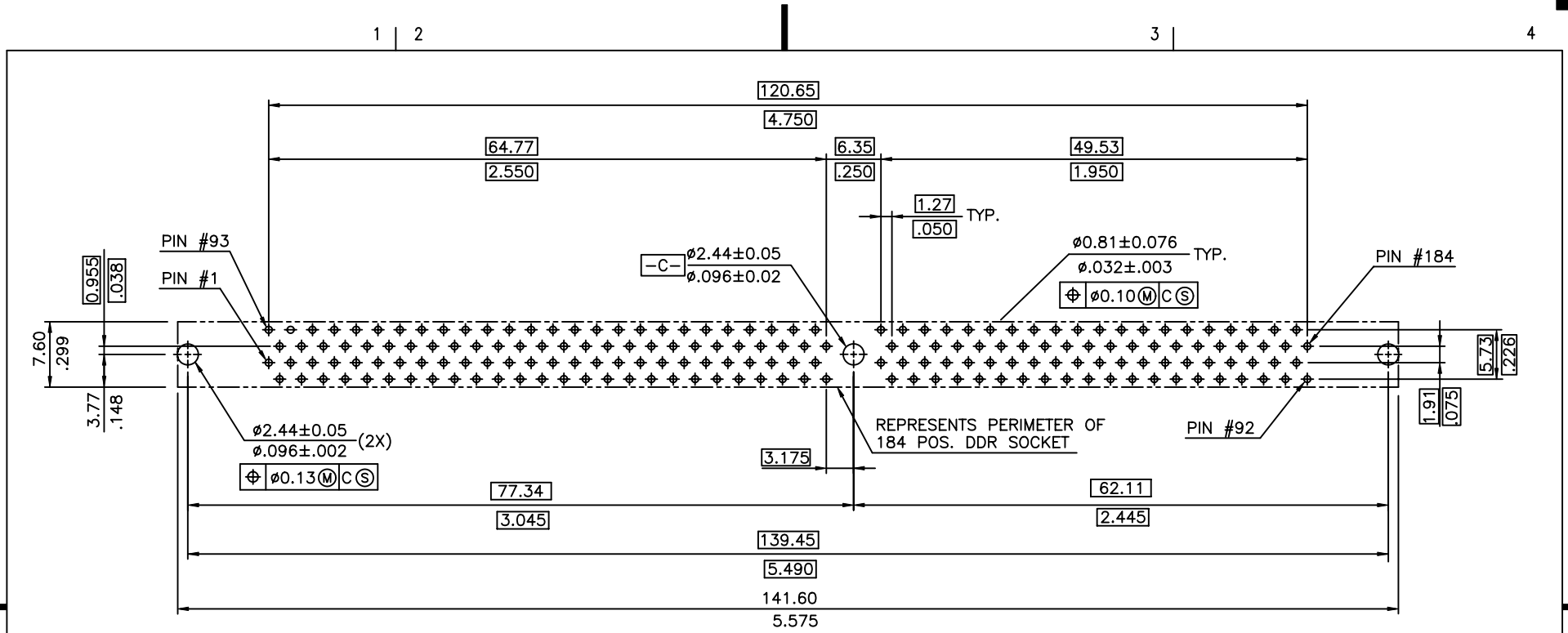


TYPE "R"	3.3 VOLT.
TYPE "L"	2.5 VOLT.
TYPE "C"	1.8 VOLT.
CENTER KEY	DESCRIPTION

mat'l. code		tolerances unless otherwise specified		CUSTOMER COPY		 www.fciconnect.com		
ltr	ecn no	dr	date	linear	.X ± 0.38/.015	projection	title	
B				linear	.XX ± 0.25/.010		DDR 184P .050" 1-ROW, V/T ASSY PLASTIC POST(AUTO LOCK)	
				angles	.XXX ± 0.15/.005			product family
					0° ±2°	MM	DDR	DG
				dr	MAGGIE WU 03/07/02	scale	size	sheet
				enrg	JEFF.HSIEH 03/07/02	1.5:1	10008315	2 of
				chr	YUWEN CHU 03/07/02			
				appd	JENN TSAO 03/07/02			
sheet index	revision sheet							

Tous droits strictement réservés. Reproduction ou communication a des tiers interdite sous quelque forme que ce soit sans autorisation écrite du propriétaire. Propriété de c FCI. Droits de reproduction FCI.

All rights strictly reserved. Reproduction or issue to third parties in any form whatever is not permitted without written authority from the proprietor. Property of FCI. Copyright FCI.



RECOMMENDED CIRCUIT BOARD HOLE LAYOUT

DDR ASSEMBLY PART NUMBER
10008315 - □ □ □ □

STYLE
1 : FOR 3.3 VOLT.
2 : FOR 2.5 VOLT.
3 : FOR 1.8 VOLT.

RESERVED
0

TAIL LENGTH

CODE	DIM. "B"	TOLERANCE
1	2.29 .090	±0.25 ±.01
2	2.79 .110	±0.25 ±.01
3	2.67 .105	±0.25 ±.01
4	3.05 .120	±0.25 ±.01

PLATING

CODE	CONTACT	SOLDERTAIL	UNDERPLATE	CODE	CONTACT	SOLDERTAIL	UNDERPLATE
2	15μ*(0.38μm) MIN. GOLD			7LF	15μ*(0.38μm) MIN. GOLD		
3	30μ*(0.76μm) MIN. GOLD	100μ*(2.54μm) MIN. TIN/LEAD	50μ*(1.27μm) MIN. NICKEL OVERALL	8LF	30μ*(0.76μm) MIN. GOLD	100μ*(2.54μm) MIN. 100% TIN	50μ*(1.27μm) MIN. NICKEL OVERALL
4	GOLD FLASH			9LF	GOLD FLASH		

COLOR OF HOUSING AND EJECTOR

- 0 : BLACK HOUSING + IVORY EJECTOR
- 2 : BLUE HOUSING + IVORY EJECTOR
- 3 : RED HOUSING + IVORY EJECTOR
- 4 : IVORY HOUSING + IVORY EJECTOR

mat'l. code		tolerances unless otherwise specified		CUSTOMER COPY		 www.fciconnect.com	
ltr	ecn no	dr	date	linear	.X ± 0.38/.015	projection	title
E				angles	.XX ± 0.25/.010		DDR 184P .050" 1-ROW, V/T ASS'Y PLASTIC POST(AUTO LOCK)
					.XXX ± 0.15/.005	MM	product family
				dr	0° ±2°	scale	DDR
				engr	MAGGIE WU 03/07/02	1.5:1	size
				enr	JEFF.HSIEH 03/07/02	A4	dwg no
				chr	YUWEN CHU 03/07/02		10008315
				appd	JENN TSAO 03/07/02		code
sheet	revision						DG
index	sheet						sheet
							3 of