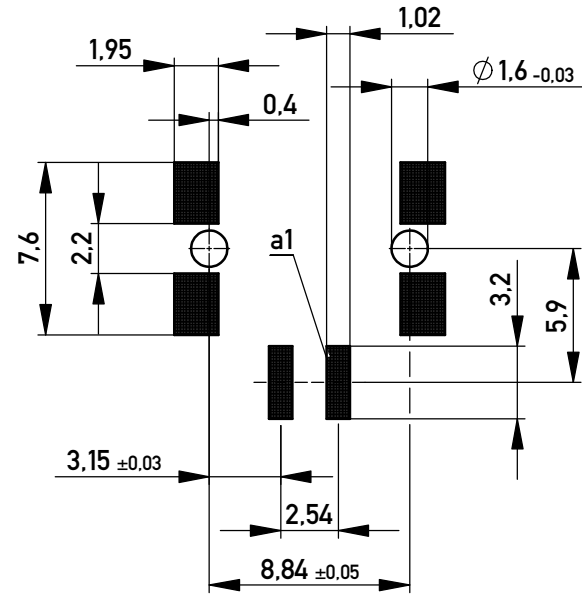


Leiterplatten-Layout Vorschlag für SMT
PCB-Layout Proposal for SMT

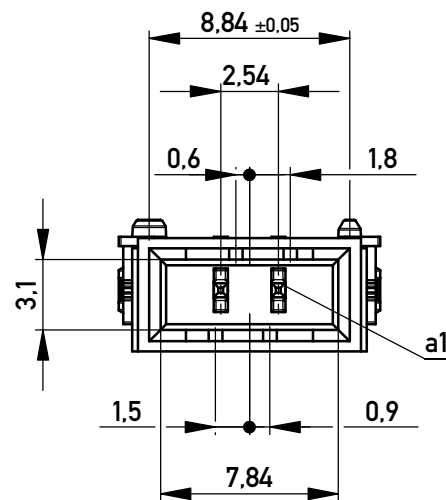
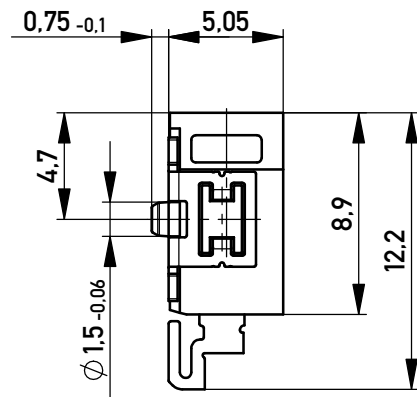
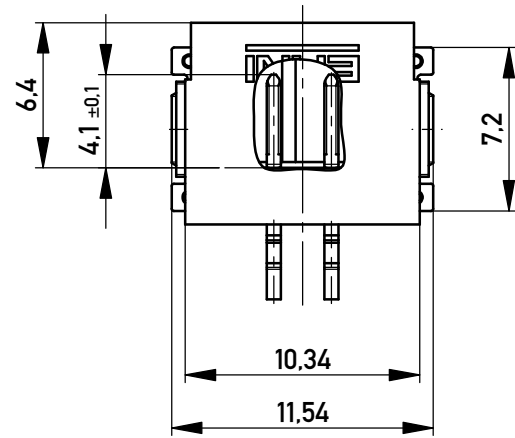


Anforderungsstufe 1
Performance Level 1

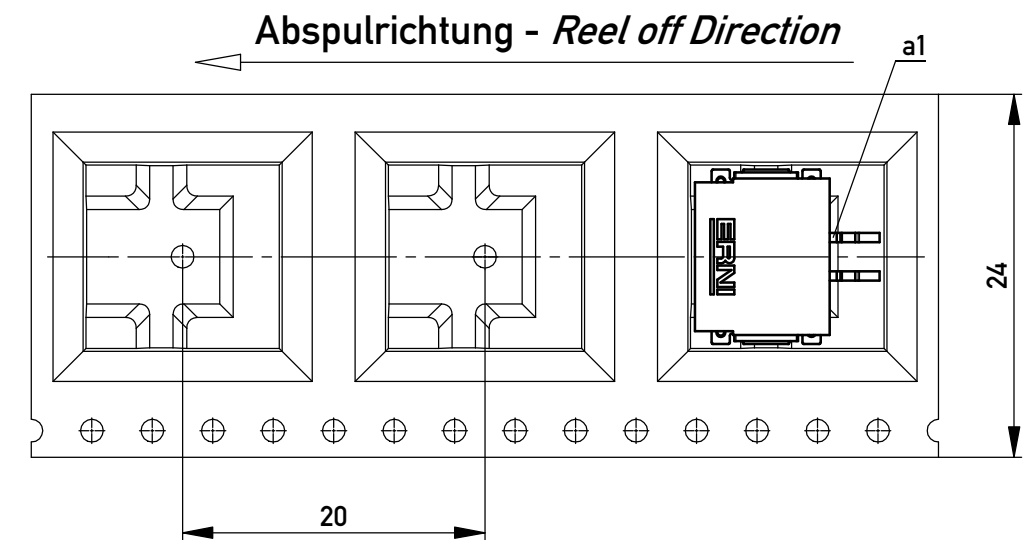
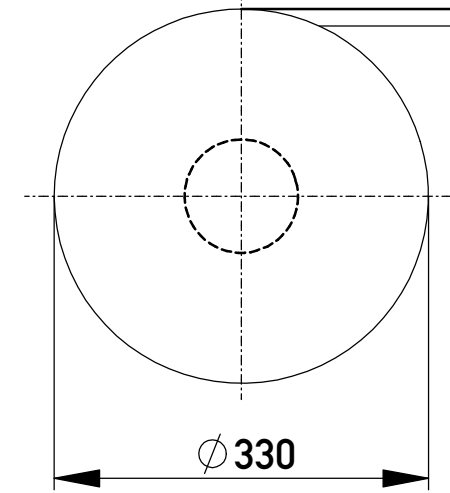
Kontaktbereich vergoldet
Mating Area gold plating

Anschlussbereich verzinkt 4-6 µm
Terminal Area 4-6 µm tin plating

Koplanarität der Anschlüsse ≤ 0,1 mm
Coplanarity Area of Termination ≤ 0,1 mm



Verpackt im Gurt nach DIN IEC 60286-3
Tape on Reel Packaging according to DIN IEC 60286-3
Verpackungseinheit: 440 Stück
Packaging unit: 440 pcs



Information: Codierung grün - Coding green		Tolerances		Scale	3:1
All rights reserved. Only for Information. To ensure that this is the latest version of this drawing, please contact one of the ERNI companies before using.		Subject to modification without prior notice. Drawing will not be updated.		Designation M 2,54 SRC-A, 2-polig	
g		25.02.2014		100403440001	
Index		Date		Class SRCA	
		www.ERNI.com		K A3	

Copyright by ERNI GmbH
Proprietary notice pursuant to ISO 16016 to be observed.