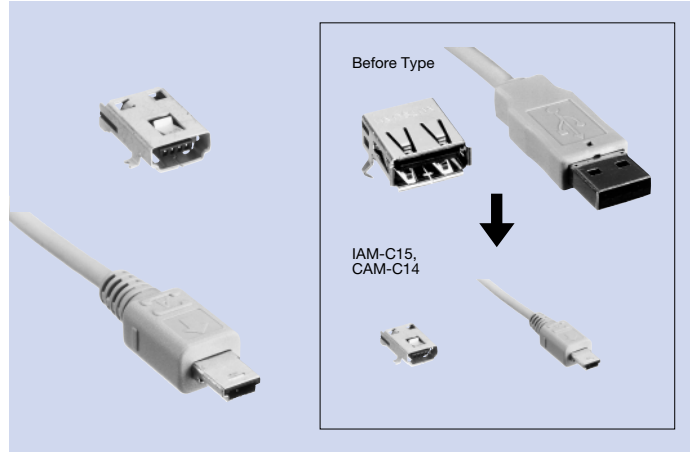


Mini Serial Bus Connectors (A TYPE) IAM-C15, CAM-C14

FEATURES

1. This is a 4-contact serial bus connector.
2. Ultra-small size achieved. (Compared to conventional Mitsumi products: - size: 1/3 (IAM-C15), 1/10 (CAM-C14); weight: 1/2 (IAM-C15), 1/5 (CAM-C14); fit profile area: 1/5 (CAM-C14))
3. Ideal for connecting portable PCs such as slim notebook PCs and handheld PCs to small, slim peripheral equipment (digital cameras, small mouse, etc).
4. Sequential mechanism used to shift contact timing for power supply and signal contact.



HOW TO ORDER

1. IAM-C15

C15-004-

1 2 3

- 1 Series No.
- 2 No. of contacts (004 : 4pins)
- 3 Running No. assigned by us

2. CAM-C14

C14-004-3432A

1 2 3

- 1 Series No.
- 2 No. of contacts (004 : 4pins)
- 3 Running No. assigned by us

SPECIFICATIONS

ELECTRICAL CHARACTERISTICS

Rated Voltage	AC 5V (rms)
Rated Current	1A
Withstanding Voltage	AC 100V (rms) 1minute
Insulation Resistance	100MΩ min. (at 500V DC)
Contact Resistance	50mΩ max.

MECHANICAL CHARACTERISTICS

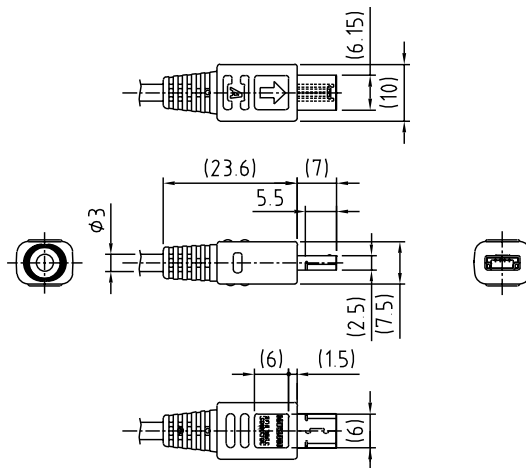
Total Insertion Force	35N (3.57kgf) max.
Total Withdrawal Force	2.9N (0.3kgf) min.
Life (Mating Cycle)	1,500

MATERIAL & FINISH

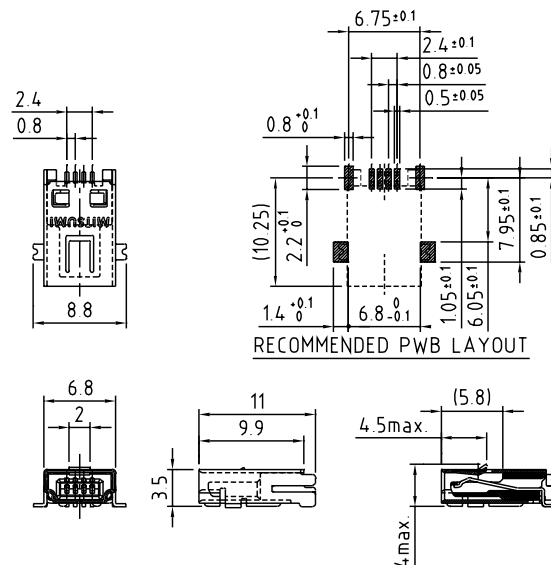
Component Parts		Material	Finish
IAM-C15 Series	Housing	PBT resin	Black
	Contact	Copper Alloy	Contact area : Gold, Solder Area : Solder Plating
	Shielded Case	Steel	Solder plating
	Over Mold	PVC resin	Option
	Cable	PVC resin	Option
CAM-C14 Series	Housing	Nylon resin	Black
	Contact	Copper Alloy	Contact area : Gold, Solder Area : Solder Plating
	Shielded Case	Copper Alloy	Solder plating

DIMENSIONS

IAM-C15



CAM-C14



Unit : mm