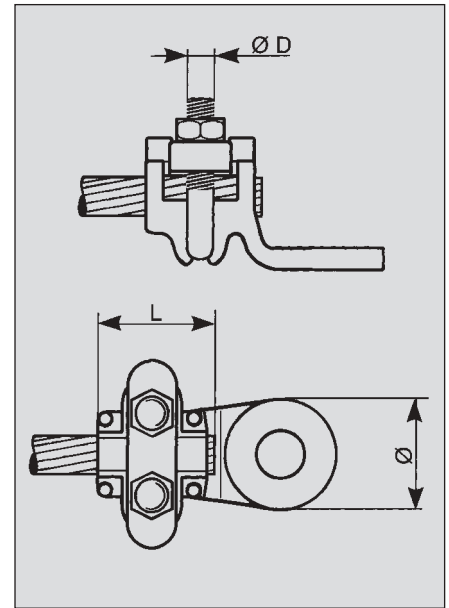
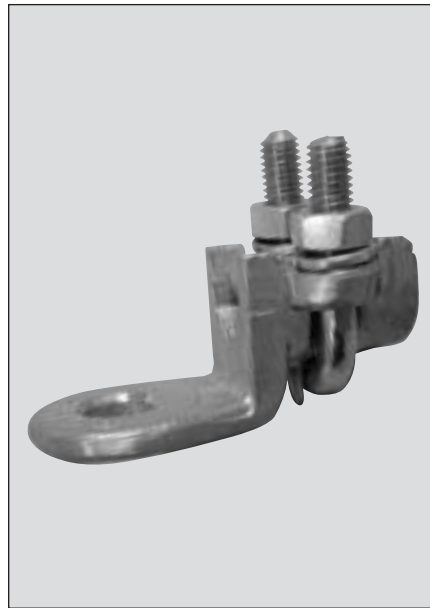


Copper Alloy Mechanical Connectors

CD_BB Line Mechanical terminals

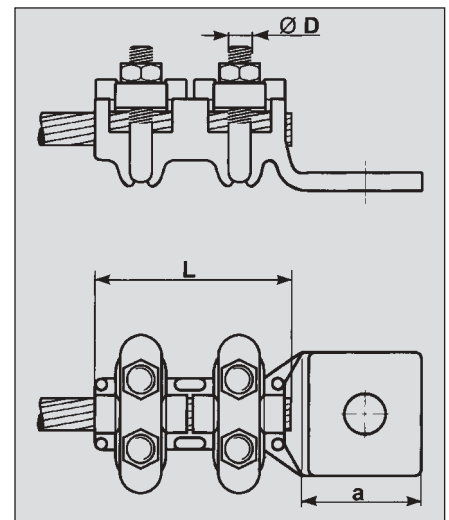
One U-bolt type terminals for copper conductors.
Copper alloy terminals with round offset tongue.



mm ²		Cat. No.	Ref. EDF	Tongue Stud		L	U-bolt	packing
Min	Max			Ø	size			
6	70	CD1070BB8	6706538	24	Ø8	23	1 x 5	25
6	70	CD1070BB10		24	Ø10	23	1 x 5	25
6	70	CD1070AB12		24	Ø12	23	1 x 5	10
6	70	CD1070BB12		24	Ø12	23	1 x 5	10
6	70	CD1070AB14		24	Ø14	23	1 x 5	10
6	70	CD1070BB14		24	Ø14	23	1 x 5	10
25	120	CD25120AB12	6706362	30	Ø12	28	1 x 8	10
25	120	CD25120BB12	6706546	30	Ø12	28	1 x 8	25
35	150	CD35150AB12	6706366	30	Ø12	28	1 x 6	10
35	150	CD35150BB12	6706554	30	Ø12	28	1 x 6	10
70	240	CD70240AB14		30	Ø14	33	1 x 8	10
70	240	CD70240BB14		30	Ø14	33	1 x 8	1

CD Line Mechanical terminals

Copper alloy terminals with square tongue and two U-bolts.



mm ²		Cat. No.	Ref. EDF	Tongue Stud		L	U-bolt	packing
Min	Max			a	size			
70	300	CD70300AB12		40	Ø12	66	2 x 8	1

AB-: protected steel U-Bolt
BB-: bronze U-Bolt