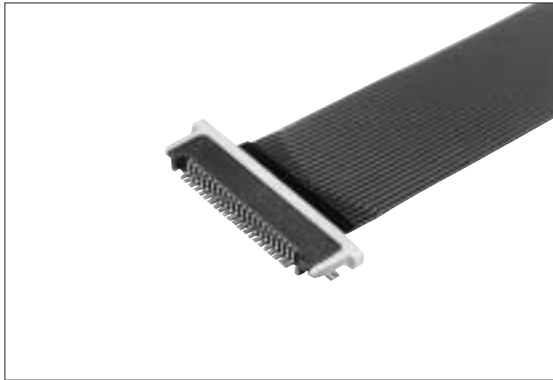


FPC Connector

FP-12 Series 0.5mm Spacing (SMT)



Features

1. Of a super low profile only 1.2mm high (5 to 36p) or 1.3mm (42 and 50p) above the PWB surface when mounted.
2. False FPC holding mechanism provided for ease in operation.
3. Of the ZIF structure.
4. With a mold attached to the bottom (board contact end).
5. Applicable FPC : 0.3±0.03mm thickness.
6. A lead-free product < * () excepted >.

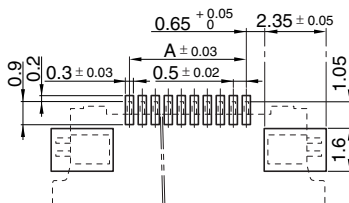
Specifications

1. Rating : 0.3A, 50V AC/DC
2. Contact Resistance : 30mΩ, max.
3. Insulation Resistance : 100MΩ, min. at 100V DC
4. Withstanding Voltage : 100V AC for one minute
5. Operating Temperature Range : -40°C to +85°C

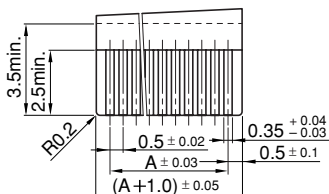
Material and Plating

- Housing : Liquid Crystal Polymer (LCP), Black 94V-0
- Cover : Polyphenylene Sulfide (PPS), Natural Color, 94V-0
- Contact : Phosphor Bronze
- Hold-Down : Phosphor Bronze, Tin Plating

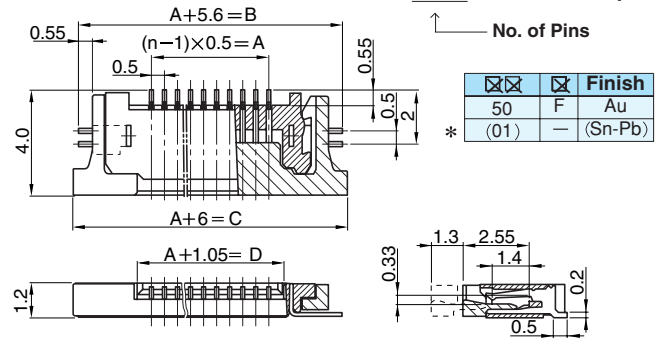
P.C. Board Dimension



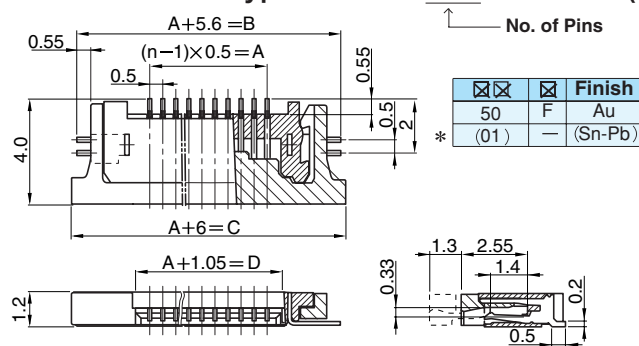
Applicable FPC Dimension (t=0.3±0.03)



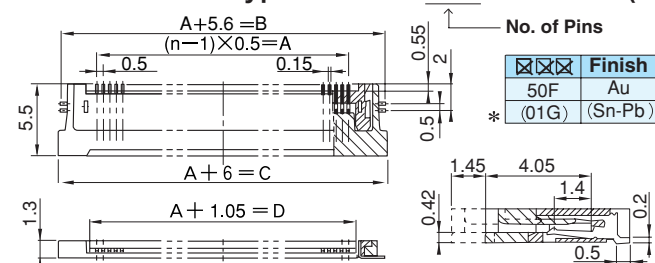
● Upper Contact Type CFP45□□-01□□□(5~30P) CFP45□□-02□□□(32,34,36P)



● Lower Contact Type CFP46□□-01□□□(5~30P)



● Lower Contact Type CFP46□□-05□□□(42,50P)



□□ No. of Pins	A	B	C	D	□□ No. of Pins	A	B	C	D
05	2.0	7.6	8.0	3.05	20	9.5	15.1	15.5	10.55
06	2.5	8.1	8.5	3.55	21	10.0	15.6	16.0	11.05
07	3.0	8.6	9.0	4.05	22	10.5	16.1	16.5	11.55
08	3.5	9.1	9.5	4.55	23	11.0	16.6	17.0	12.05
09	4.0	9.6	10.0	5.05	24	11.5	17.1	17.5	12.55
10	4.5	10.1	10.5	5.55	25	12.0	17.6	18.0	13.05
11	5.0	10.6	11.0	6.05	26	12.5	18.1	18.5	13.55
12	5.5	11.1	11.5	6.55	27	13.0	18.6	19.0	14.05
13	6.0	11.6	12.0	7.05	28	13.5	19.1	19.5	14.55
14	6.5	12.1	12.5	7.55	29	14.0	19.6	20.0	15.05
15	7.0	12.6	13.0	8.05	30	14.5	20.1	20.5	15.55
16	7.5	13.1	13.5	8.55	32	15.5	21.1	21.5	16.55
17	8.0	13.6	14.0	9.05	34	16.5	22.1	22.5	17.55
18	8.5	14.1	14.5	9.55	36	17.5	23.1	23.5	18.55
19	9.0	14.6	15.0	10.05	42	20.5	26.1	26.5	21.55
					50	24.5	30.1	30.5	25.55

- * () excepted
- FPC plating (Sn-Pb) to recommend
Finish Sn : Pb=9 : 1
Thickness 1~5μm