

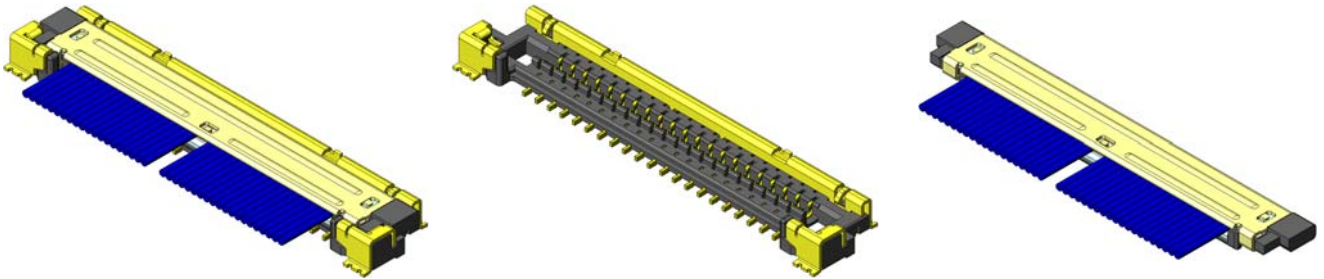
NEW


Fine-Coax Wire Connector for Small Portable Devices

CONNECTOR

MB-0189-1

October 2008

FI-JK Series**RoHS Compliant**

The FI-JK Series is a compact, low profile connector with a plug that can pass through a very small diameter hinge after harness assembly.

Features

- Plug side can pass through a 3.0mm dia. hinge after harness assembly (40 pos., 44 AWG)
- Mated dimensions;
34pos.: 3.7mm depth, 15.58mm width, 1.56mm height
40 pos.: 3.7mm depth, 17.38mm width, 1.34mm height
- Enhanced connection stability by 0.25mm effective contact length
- More stable connection with gold plated ground contact points on plug and receptacle
- Mis-mating prevention structure
- Noise resistance characteristic is enhanced by ground contact points not only on the sides but also in the connector center
- Applicable wire: compatible with 42 and 44 AWG fine-coaxial wire
- Supports automated mounting with embossed tape for receptacle
- Solder migration prevention structure with Ni barrier on receptacle

General Specifications

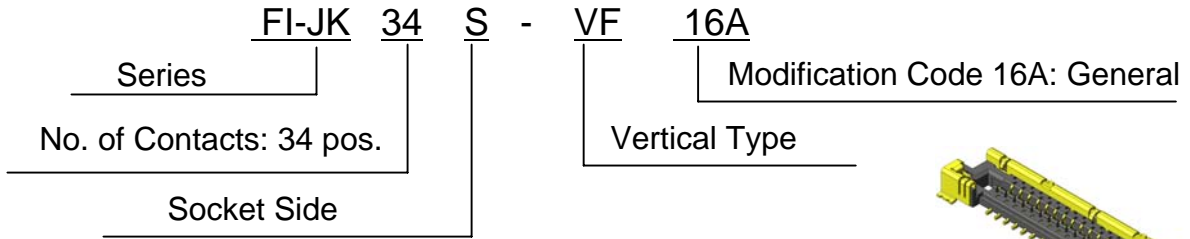
- | | |
|---|--|
| <ul style="list-style-type: none"> ■No. of Contacts : 30, 34 pos. ■Pitch: 0.3mm ■Operating Temperature:
-40 Deg. C to +85 Deg. C ■Contact Resistance:
40m ohm max. (initial) ■Durability: 30 mating cycles | <ul style="list-style-type: none"> ■Rated Current: AC, DC each 0.25A per pos. ■Rated Voltage: AC, DC each 50V per pos. ■Insulation Resistance: 100M ohm min. ■Dielectric Withstanding Voltage :
AC 100Vr. m.s per minute ■Applicable Wire: 42 to 44 AWG |
|---|--|

Materials and Finishes

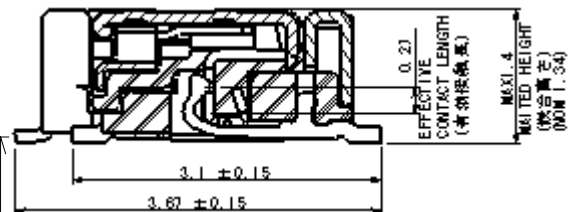
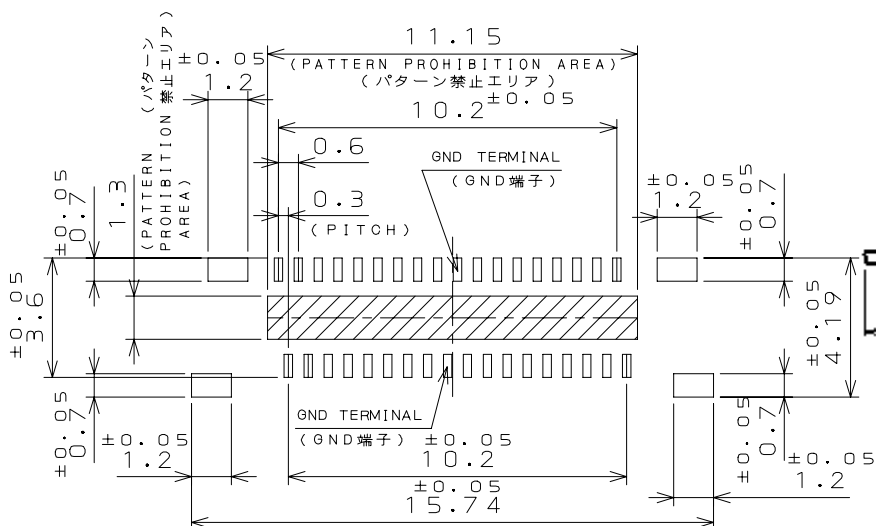
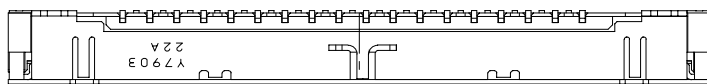
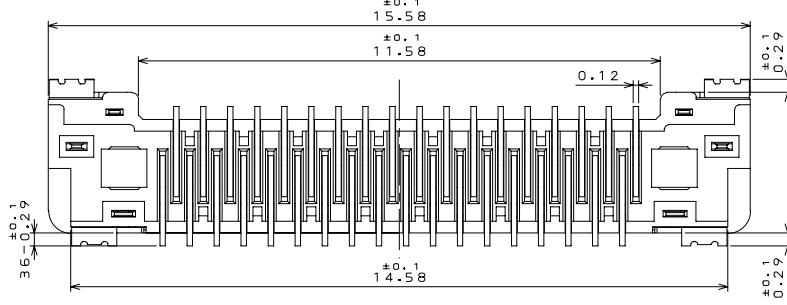
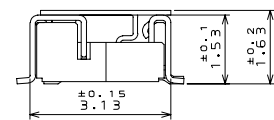
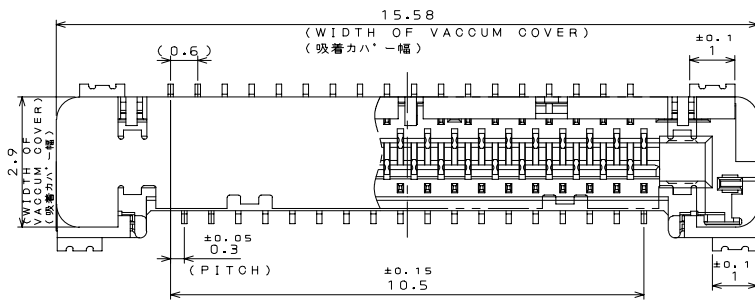
Component	Material / Finish
Receptacle (FI-JK**S-VF1*A)	
Contact	Copper alloy / Contact area Au plating over Ni, Terminal area Au flash plating over Ni
Shell	Copper alloy / Contact area Au plating over Ni
Side Shell	Copper alloy / Contact area Au plating over Ni
Insulator	Heat resistant plastic UL94V-0
Adsorption Cover	Stainless steel
Plug (FI-JK**C)	
Contact	Copper alloy / Contact area Au plating over Ni, Terminal area Au flash plating over Ni
Insulator	Heat resistant plastic UL94V-0
Plug / Base Ground Bar (FI-JK**C-BGB)	
Base Ground Bar	Copper alloy / Sn plating over Ni
Plug / Cover Ground Bar (FI-JK**C-CGB)	
Cover Ground Bar	Copper alloy / Sn plating over Ni
Plug / Cover Shell (FI-JK**C-SH1)	
Cover shell	Stainless steel / Au flash plating over Ni

Ordering Information

Receptacle Side
Individual Product
(34 pos. SJ108001)



Unit: mm

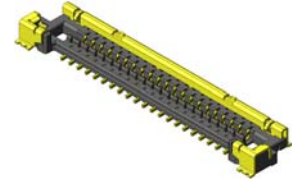
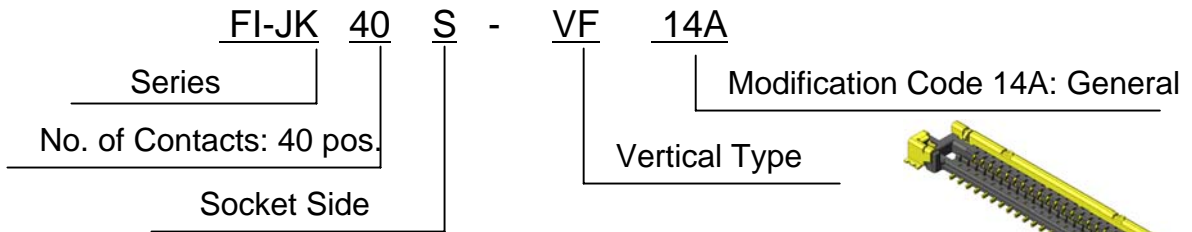


Drawing when mated
(for reference)

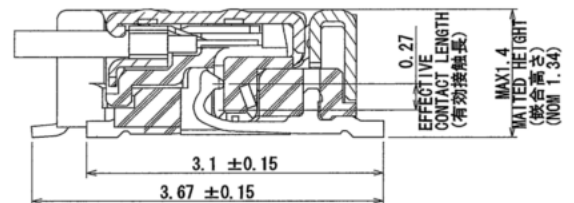
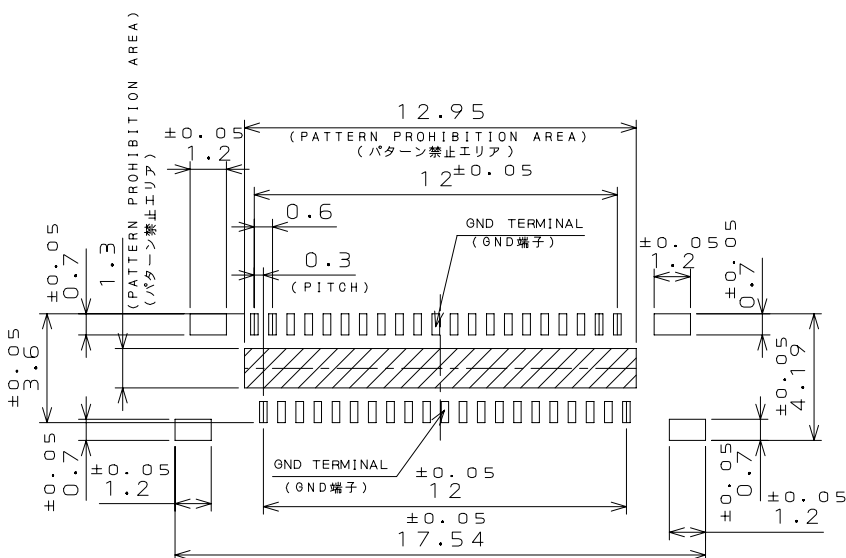
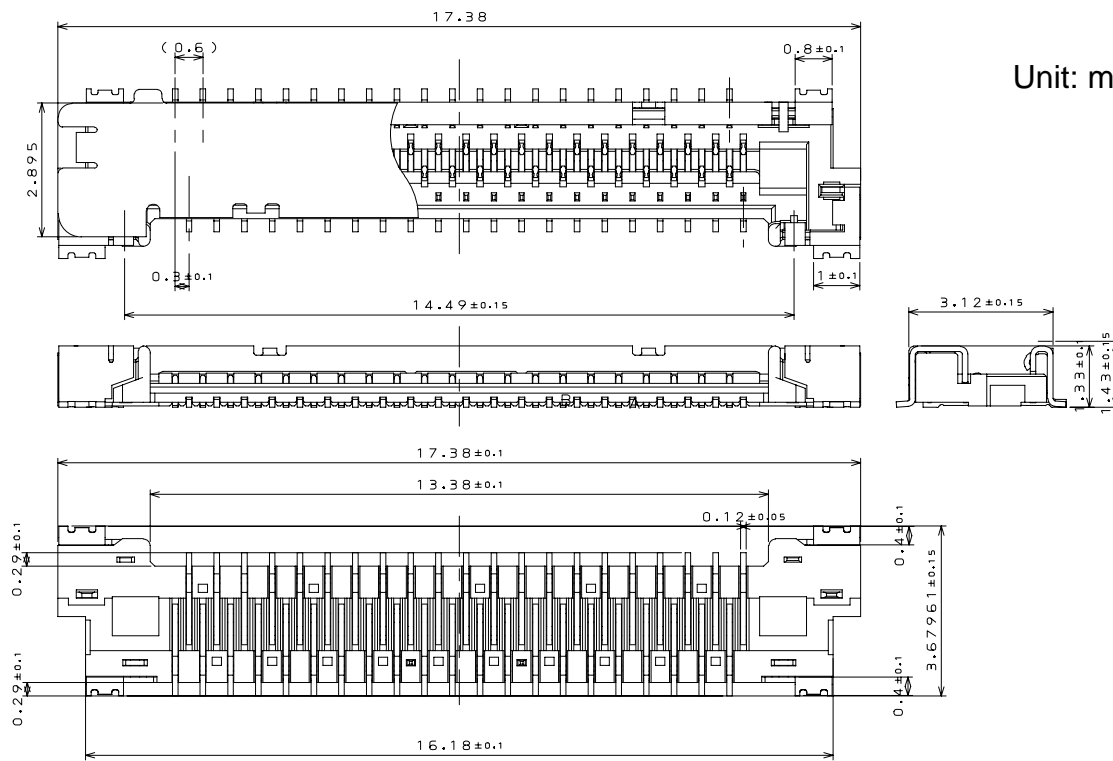
Recommended dimensions of board

Ordering Information

Receptacle Side
Individual Product
(40 pos. SJ108066)



Unit: mm

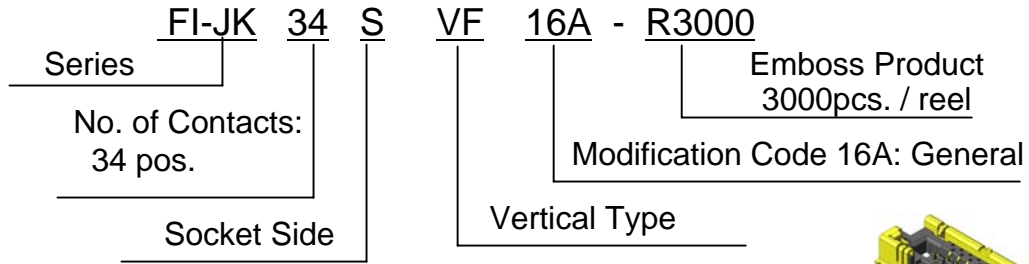


Drawing when mated
(for reference)

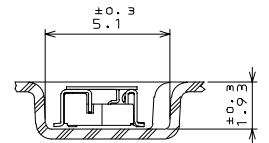
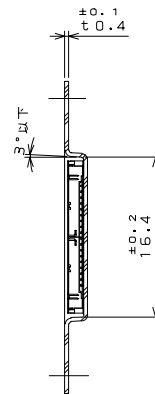
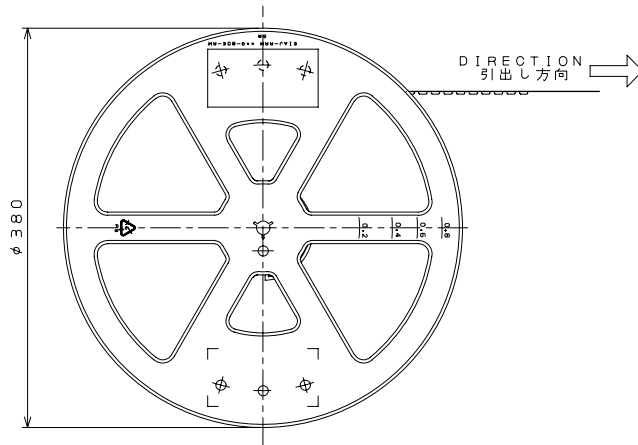
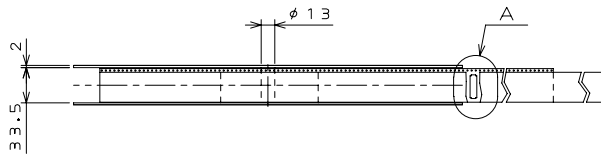
Recommended dimensions of board

Ordering Information

Receptacle Side
Emboss Product
(34 pos. SJ108002)

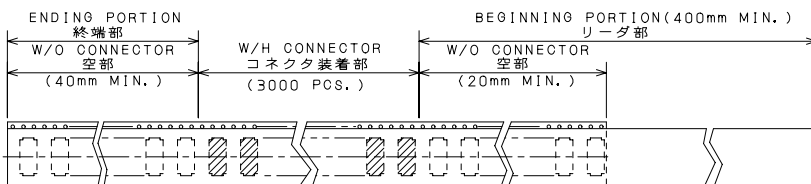


Unit: mm

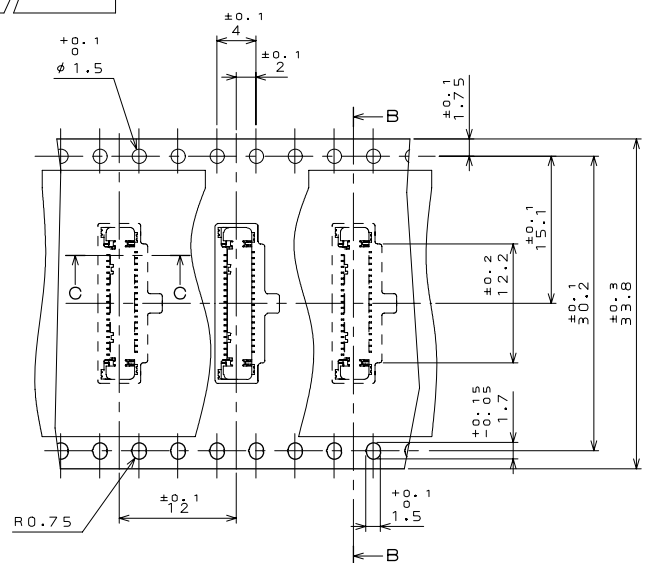


SECT. B-B

SECT. C-C



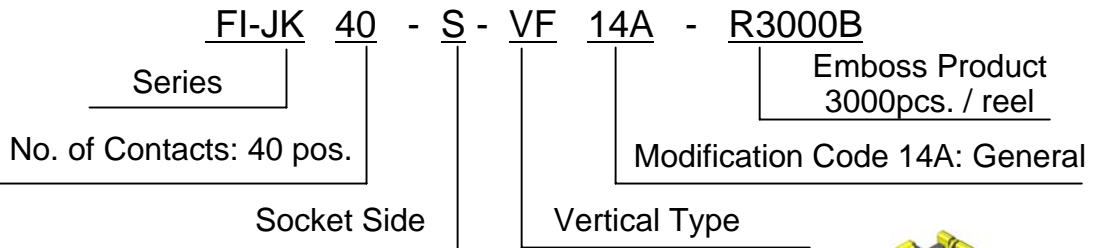
DIRECTION 引出し方向



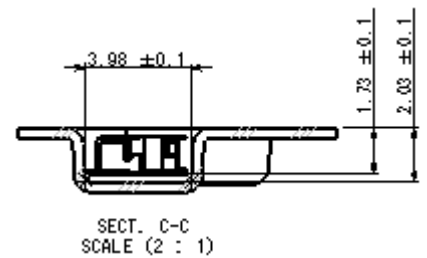
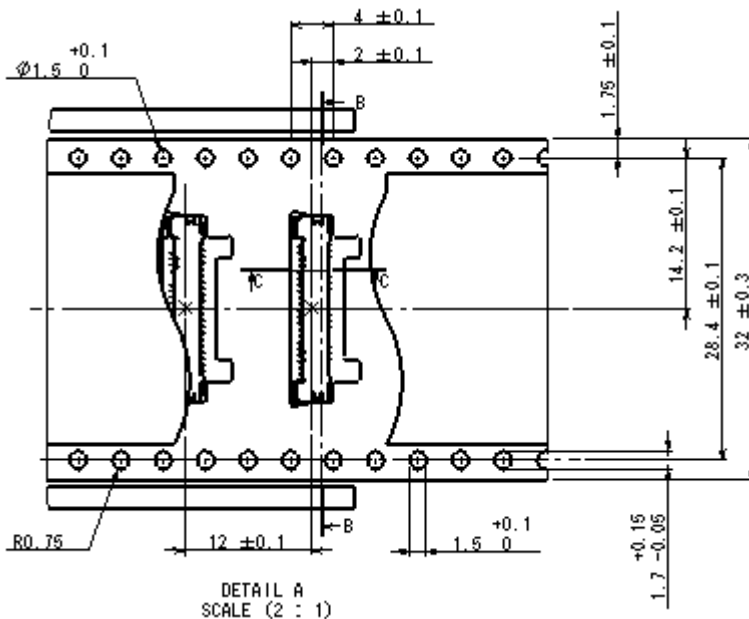
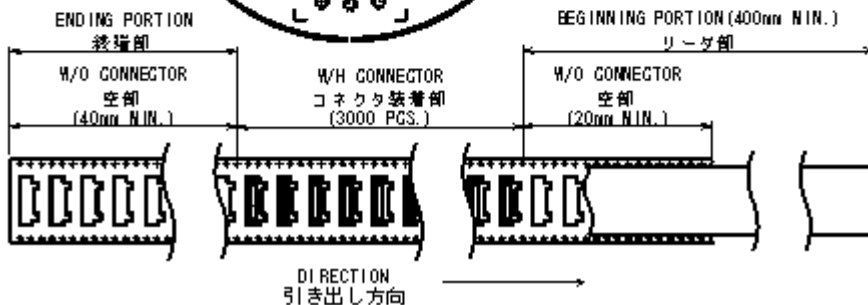
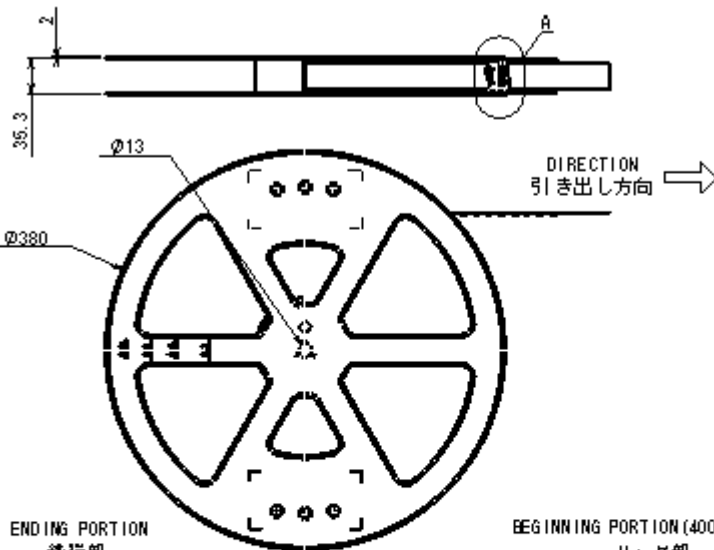
DETAIL A

Ordering Information

Receptacle Side
Emboss Product
(40 pos. SJ109040)

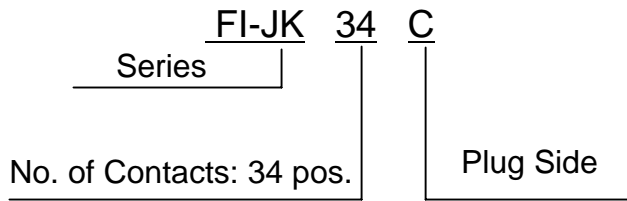


Unit: mm

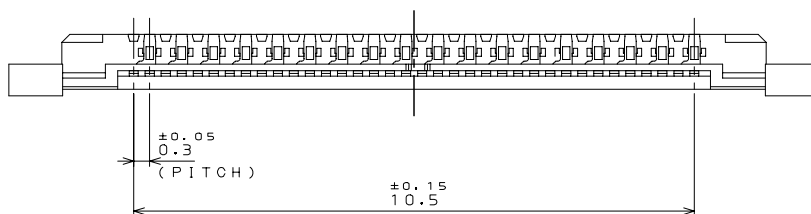
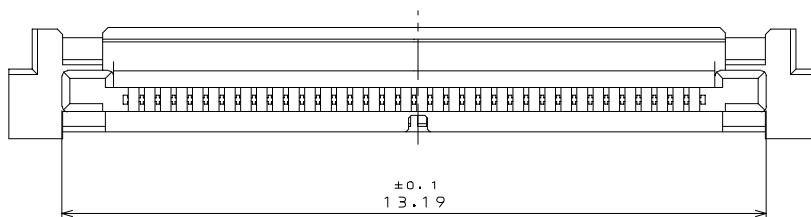
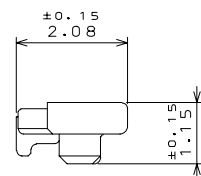
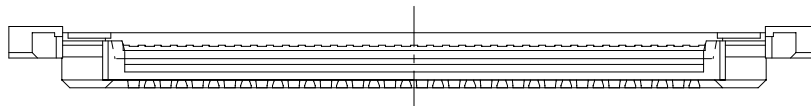
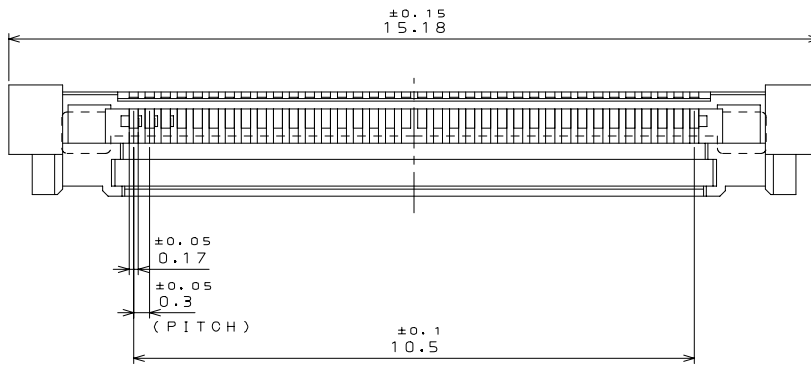


Ordering Information

Plug Side, Insulator (34 pos. SJ107561)

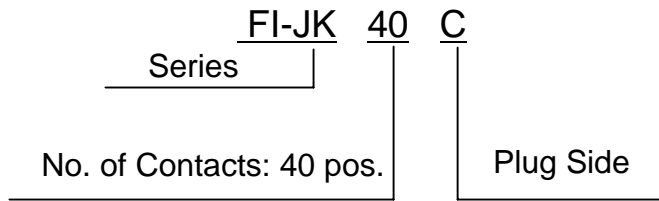


Unit: mm

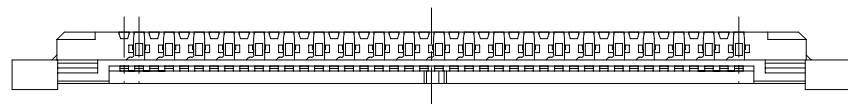
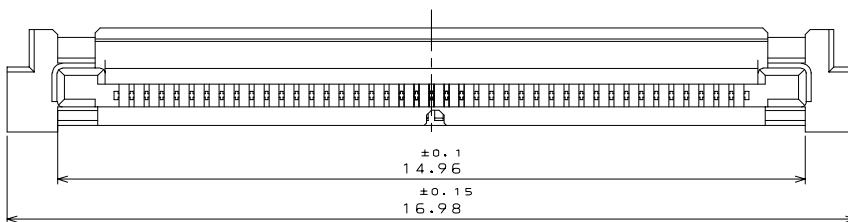
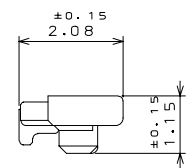
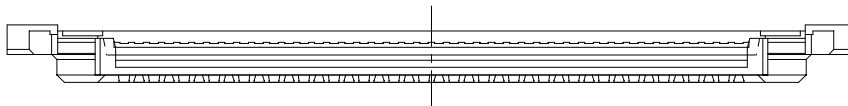
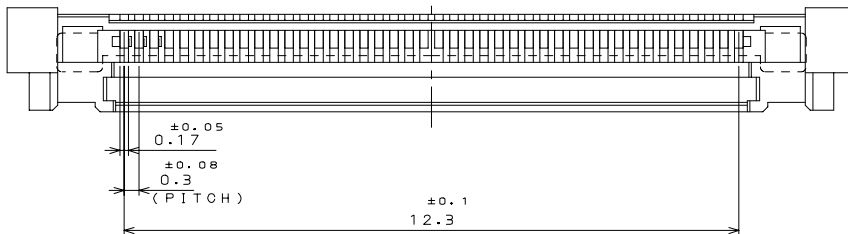


Ordering Information

Plug Side, Insulator (40 pos. SJ107846)



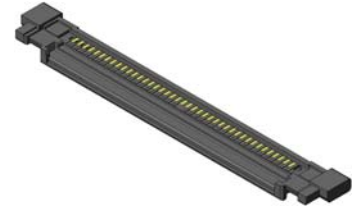
Unit: mm



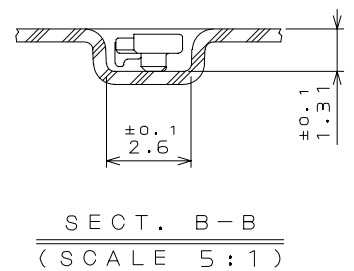
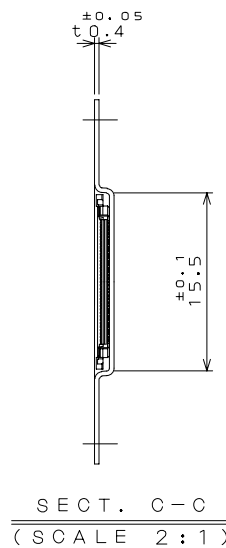
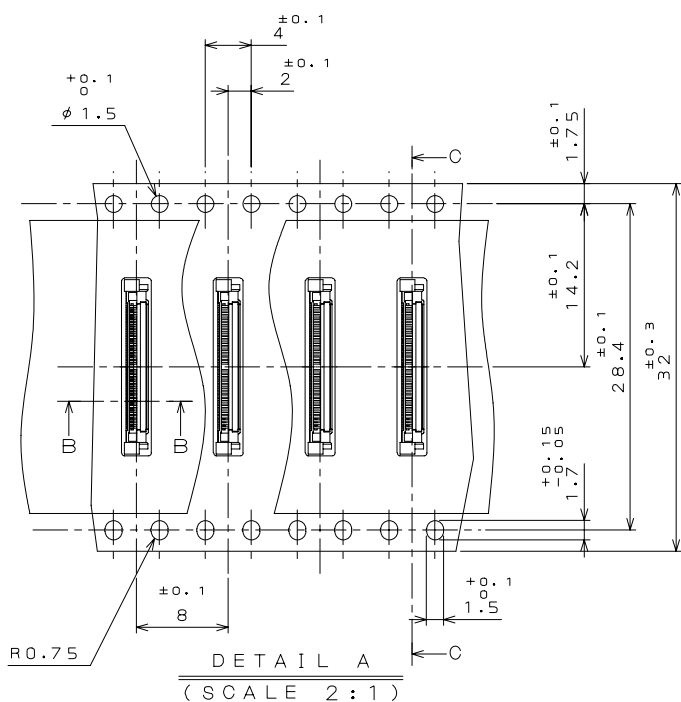
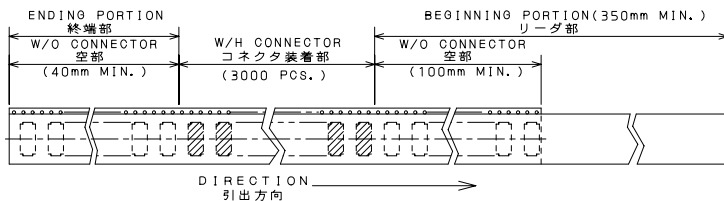
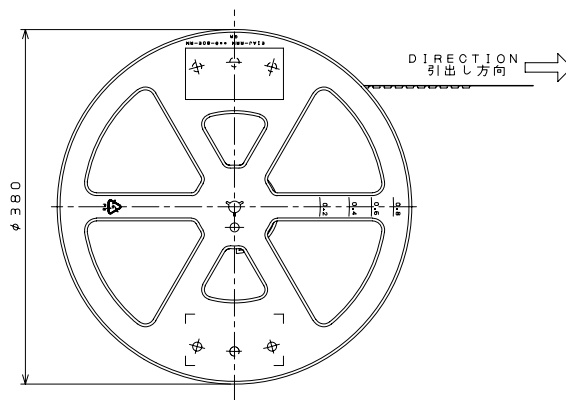
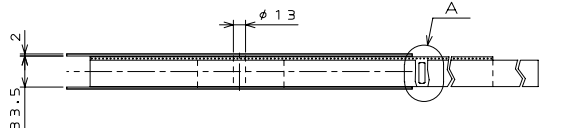
Ordering Information

**Plug Side, Insulator
Emboss Product (34 pos. SJ107562)**

Series FI-JK 34 C - R3000
 No. of Contacts: 34 pos. Emboss Product 3000pcs. / reel
 Plug Side



Unit: mm



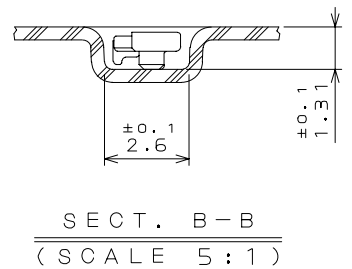
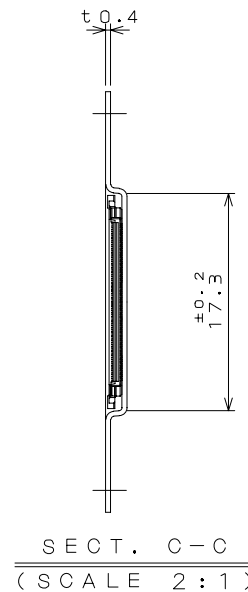
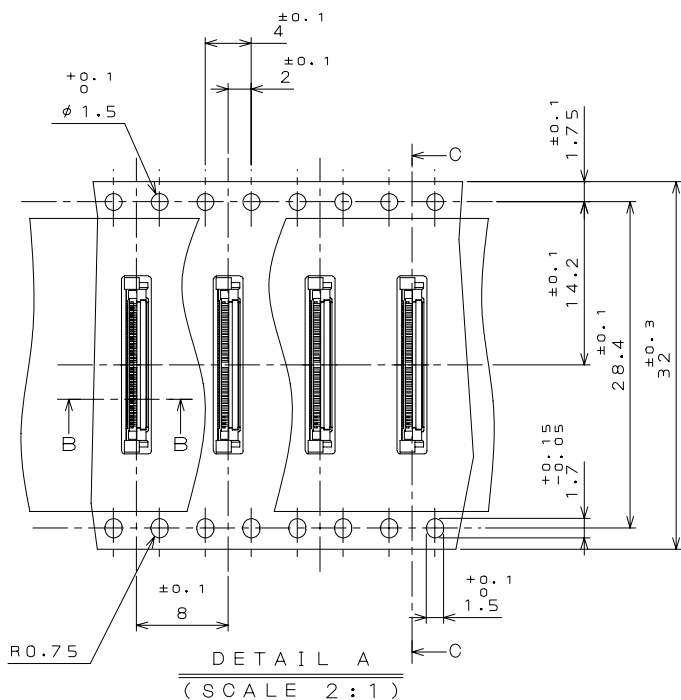
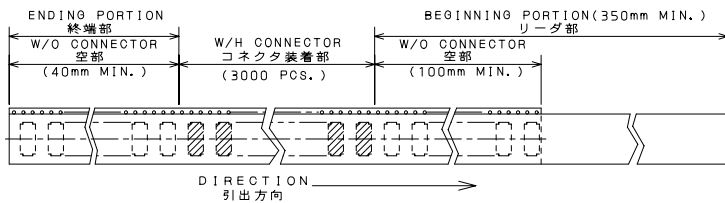
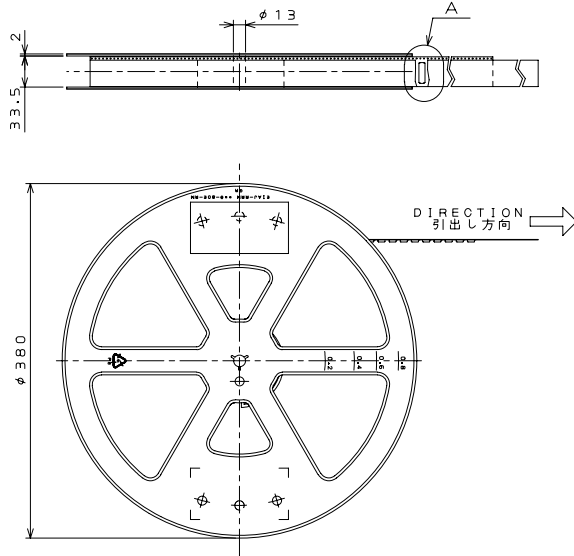
Ordering Information

Plug Side, Insulator
Emboss Product (40 pos. SJ107847)

Series **FI-JK 40** **C - R3000**
 No. of Contacts: 40 pos. Emboss Product
 3000pcs. / reel
 Plug Side

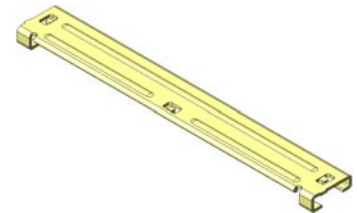
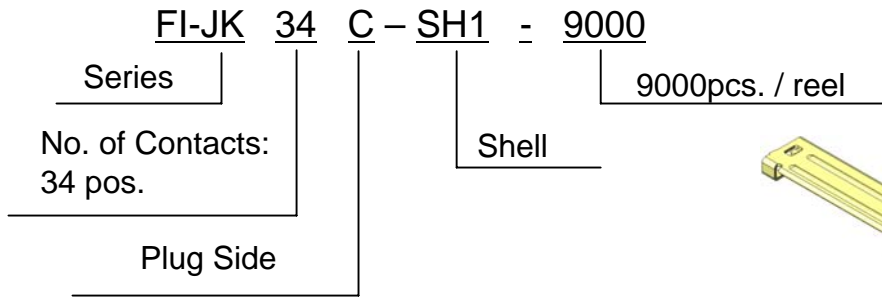


Unit: mm

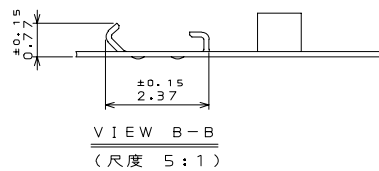
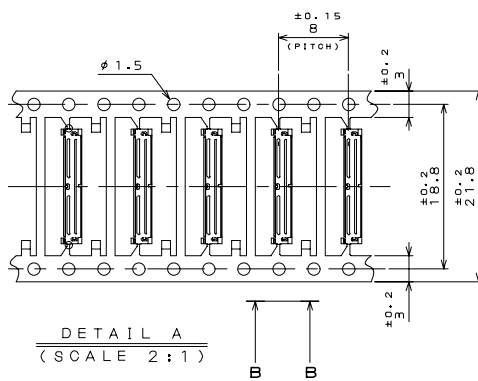
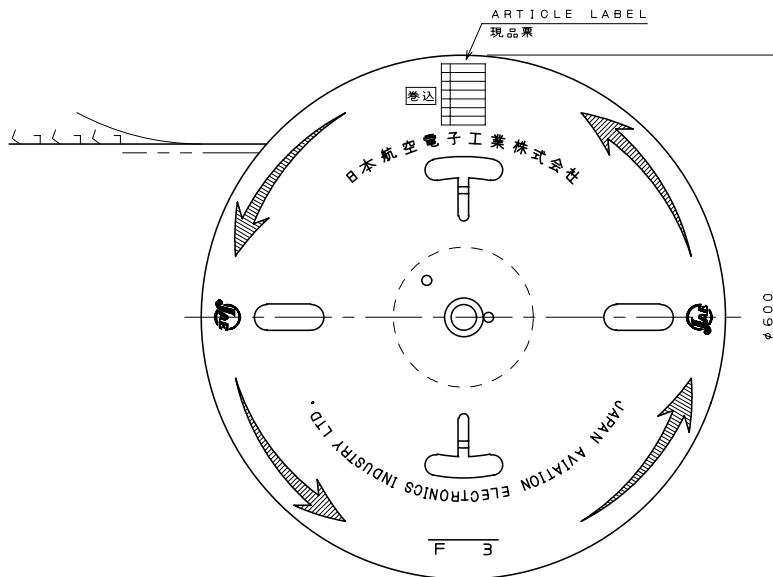
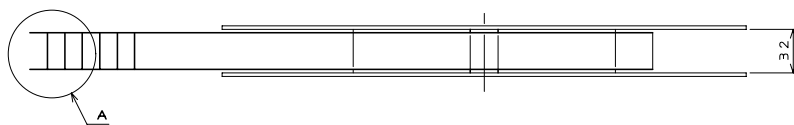


Ordering Information

Plug Side, Shell (34 pos. SJ107519)

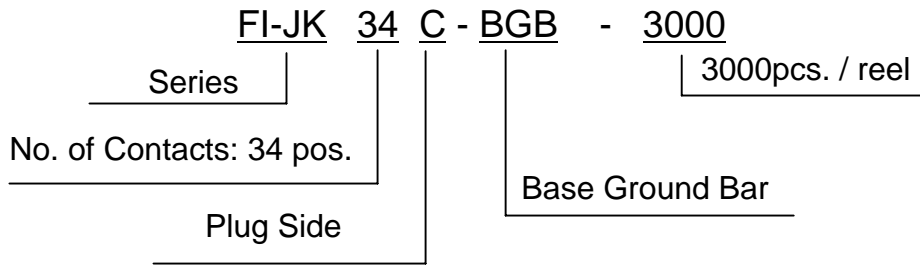


Unit: mm

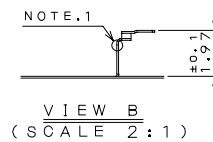
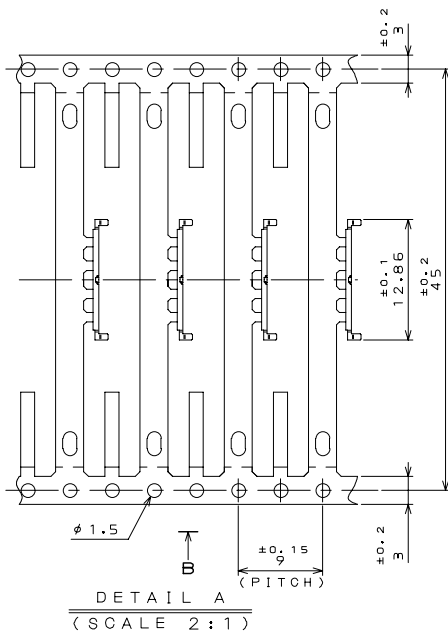
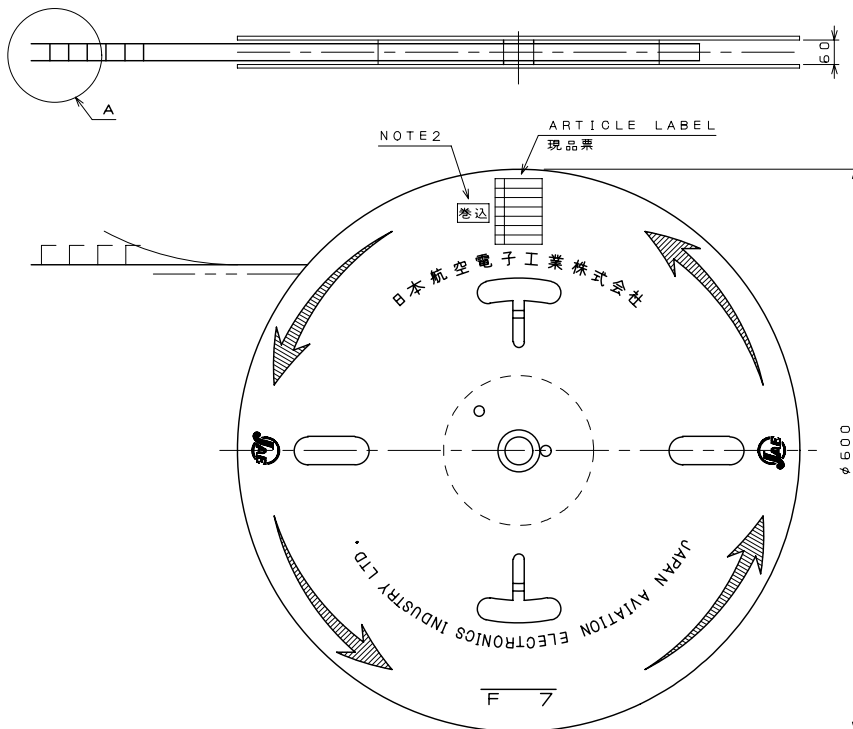


Ordering Information

Plug Side, Base Ground Bar
(34 pos. SJ107559)

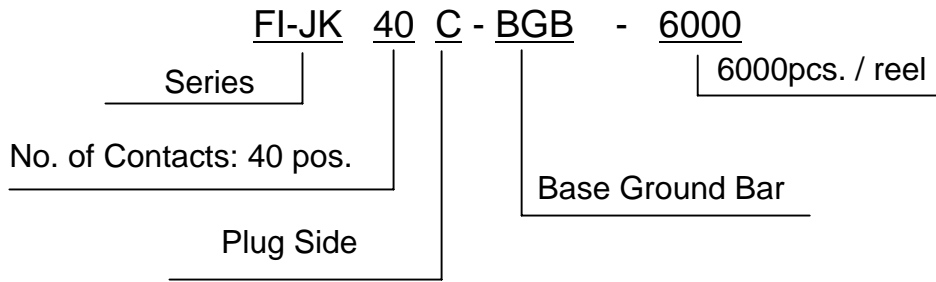


Unit: mm

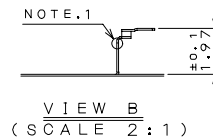
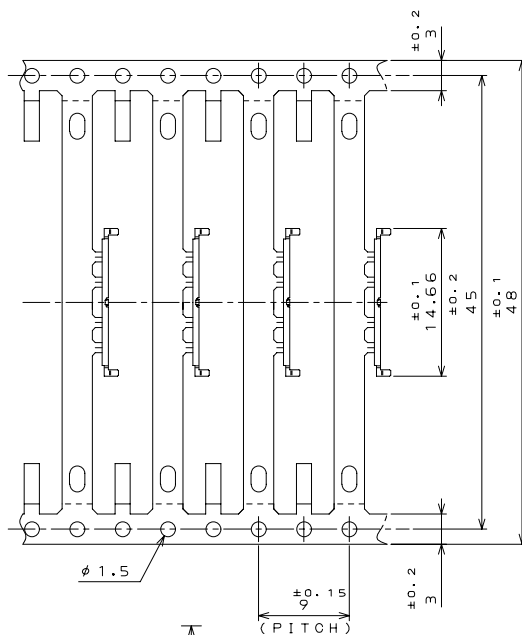
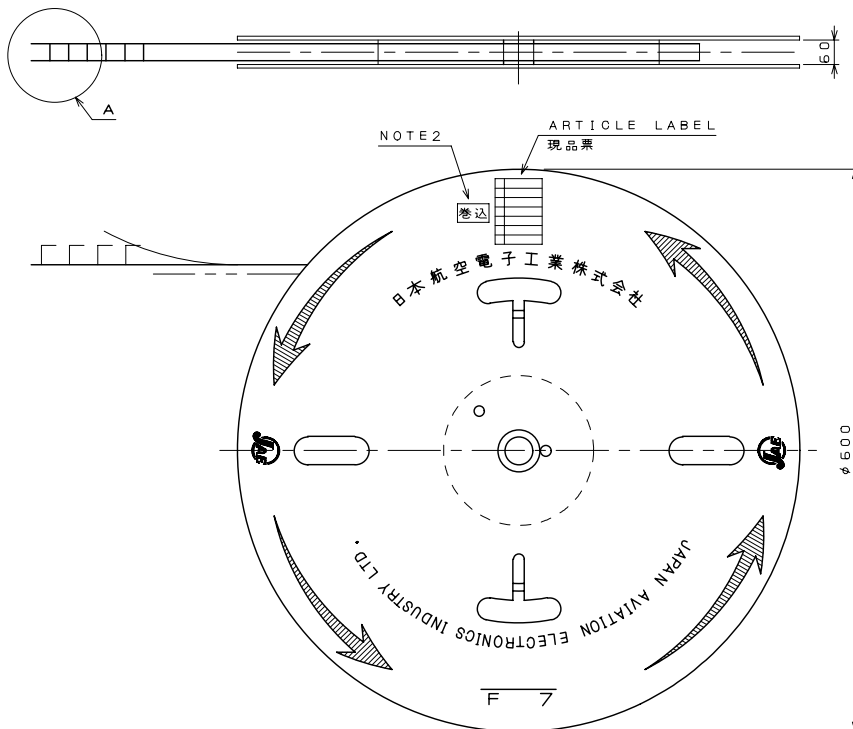


Ordering Information

Plug Side, Base Ground Bar
(40 pos. SJ107848)



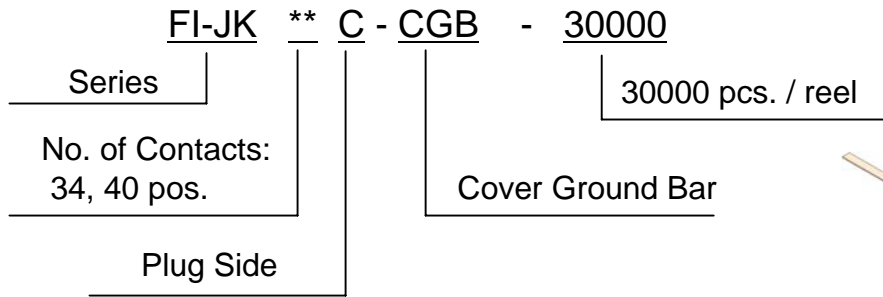
Unit: mm



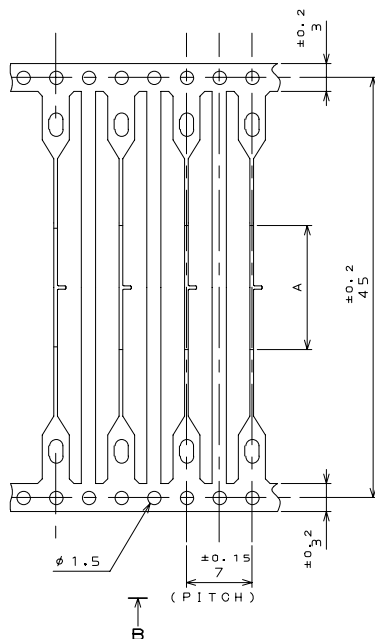
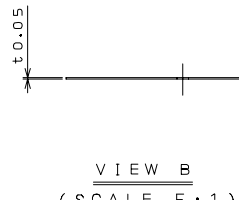
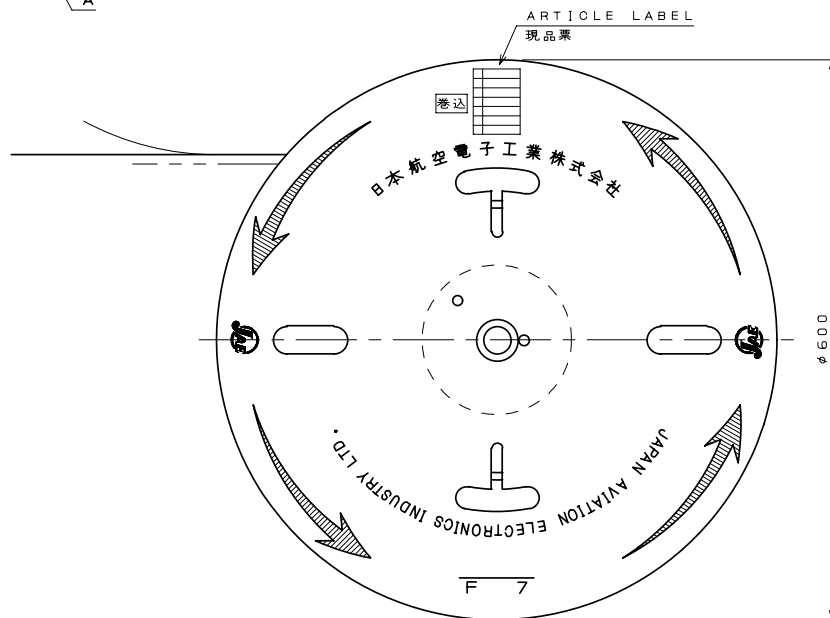
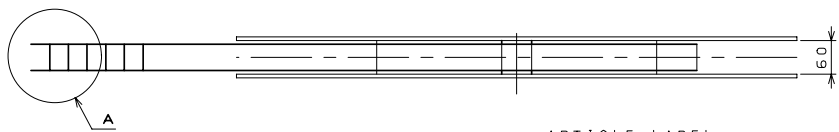
DETAIL A
(SCALE 2:1)

Ordering Information

Plug Side, Cover Ground Bar (SJ107560)



Unit: mm



DETAIL A (SCALE 2:1)

DIMENSIONS 寸法		A
NO. OF CONTACTS 芯数	34	13.26
	40	15.06

Related Documents

-Specifications (JACS): JACS- 10432-3

-Harness Assembly Handling Instructions (JAHL): JAHL-10432-1

-Connector Handling Instructions (JAHL): 34 pos. JAHL-10432-10
40 pos. JAHL-10432-11

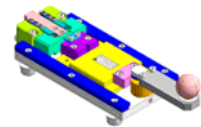
-Connector Extraction Tool

SJ Drawing: SJ713207-00, P/N: SC-FIJK-1C-K

-Plug Shell Clamping Tool

P/N: WT-FIJK-1-**

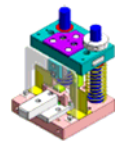
Tool Handling Instruction: T714281



-Plug Ground Bar Cutting Tool

P/N: WT-FIJK-2-**

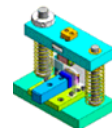
Tool Handling Instruction: T714286



-Plug Core Cable Cutting Tool

P/N: CC-FIJK-1-**

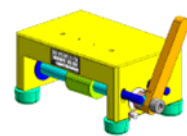
Tool Handling Instruction: T751049



-Extraction Tool for Electrical Inspection

P/N: JG-FIJK-1-**

Tool Handling Instruction: T715117



Japan Aviation Electronics Industry, Limited

Product Marketing Division

Aobadai Building, 3-1-19, Aobadai, Meguro-ku, Tokyo 153-8539

Phone: +81-3-3780-2787 FAX: +81-3-3780-2946

Notice: Products shown in this leaflet are made for the applications listed below. However, if the above-mentioned products are to be used in aerospace devices, marine cable-connection devices, atomic power control systems, medical equipment for life-support systems, or any other specific application requiring extremely high reliability, please contact JAE for further information.

Recommended applications: computers, office machines, measuring devices, telecommunication devices (terminals, mobile devices), AV devices, household applications, FA devices, etc.