



PARA LIGHT ELECTRONICS CO., LTD

Tel: 886-2-2225-3733

Fax: 886-2-2225-4800

Mail: para@para.com.tw

Website: <http://www.para.com.tw>

LED T-8 Light Tube

Product Data Sheet

Model Number : T8F18W-CWO2-US

Rev.: A / 1

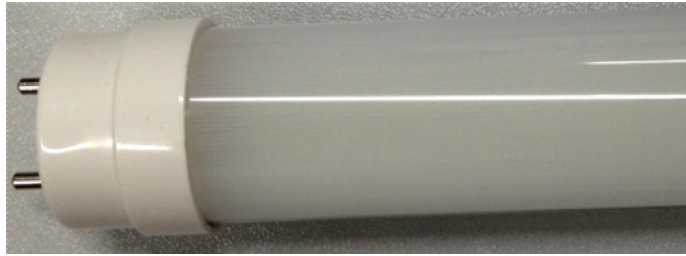


Producer: ZhuangWei Auditing: LiuJiaJia Approval: _____

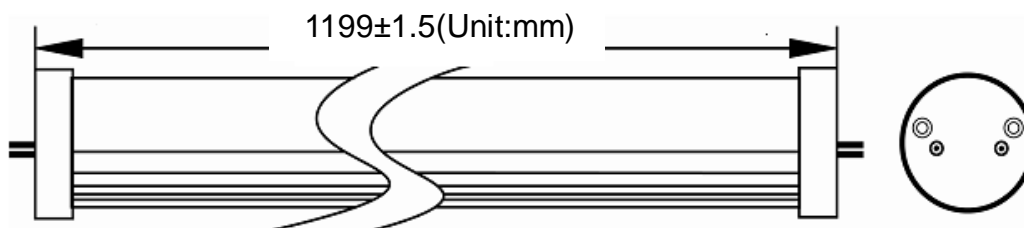
◆ Product Features and Overview:

1. Extrude aluminum heat-sink with superior heat dissipating capability enables longer product life.
2. No glare design.
3. Using constant current driving circuit with power factor correction. Internal short circuit protection with auto recovery circuit
4. Using micro-chip shunt circuit driving technique to maximize efficacy.
5. Semiconductor light-emitting principle of power-saving than traditional fluorescent lamps about 32%.
6. LED life span $\geq 35,000$ hours.
7. Low radiated heat.
8. RoHS compliant & CE approved.
9. UL Number: E358088

◆ Photo:



◆ Dimensions:



◆ Electrical Characteristics:

Input Voltage Range	100~277V
Input Current	135mA~165mA @120V 68mA~82mA @240V 59mA~71mA @277V
LED Type	PLCC 5630
LED Quantity	132Pcs
Power Consumption	18W±10%
Power Factor	>0.9

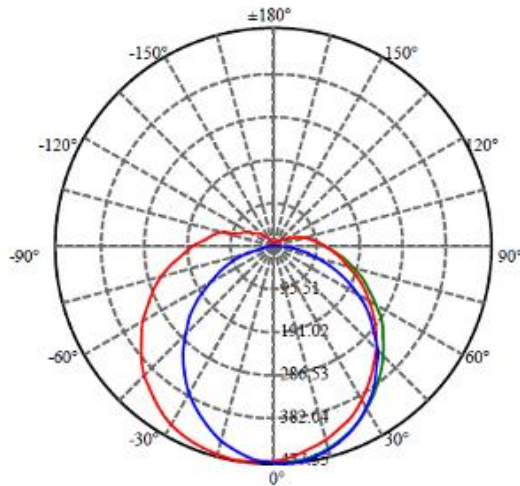
◆ Mechanical Characteristics:

Heat-Sink Specification	Aluminum
Cover Material	Frosted Stripes
PCB Material	High thermal conductivity of glass fiber R1787
Power Supply	Internal
Socket Type	G13
Tube Diameter	Φ26mm
Weight	320g

◆ Optical Characteristics:

Color Rendering Index	>80
Luminous Flux	1800 lm±10%
Luminance@ 1M	470±10% (lux)
View Angle	140°±5°
Color Temperature	6000±500K

◆ Light intensity distribution(Unit:CD):



◆ Operation Conditions:

Operating Temp. Range	-20°C ~40°C
Storage Temp. Range	-30°C ~65°C

◆ Reliability Tests:

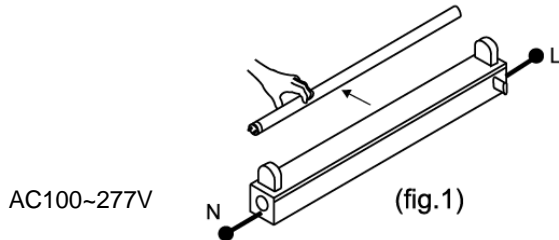
Item	Test Conditions
High temperature high humidity test	Temperature: 40°C, Humidity: 85%, 220Vac 96Hours
Aging test	Temperature: 40°C, 220Vac 24Hours
On Off test	Temperature: 25°C, 220Vac ,turn on/off1500 times
Life test	Temperature: 25°C,220Vac,1000Hours

◆ Installation:

n Retrofit Installation Procedures (Preformed by Professional Electrician only):

Step 1 : Turn off the power.

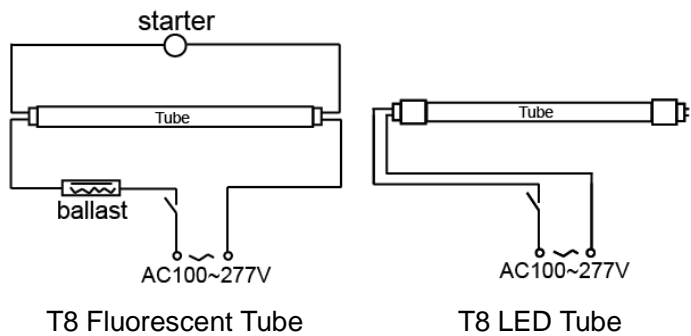
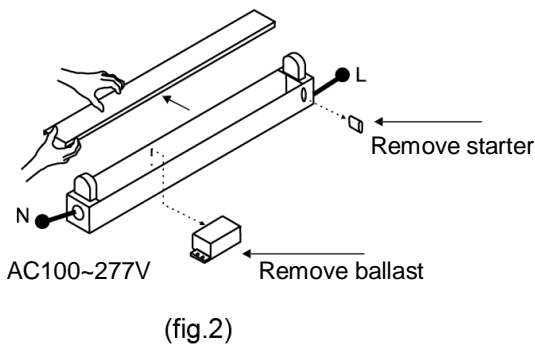
Step 2 : Remove the fluorescent tube. (fig.1)



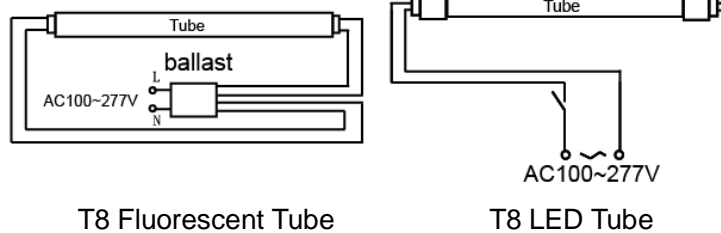
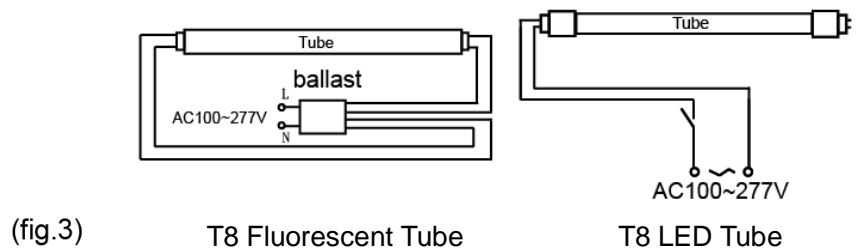
Step 3 : The starter& ballast must be removed before the installation of LED tube.

Please refer to fig.2&3 and reconnect according to the type of ballast.(fig.2&3)

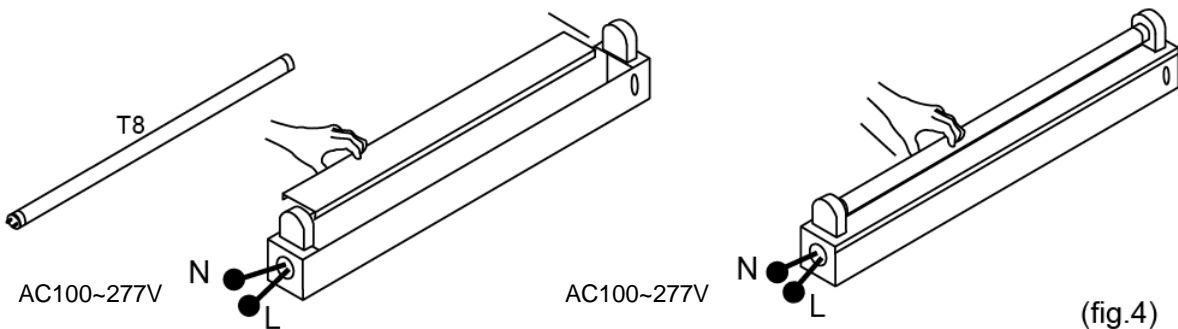
①、Inductance type of ballast



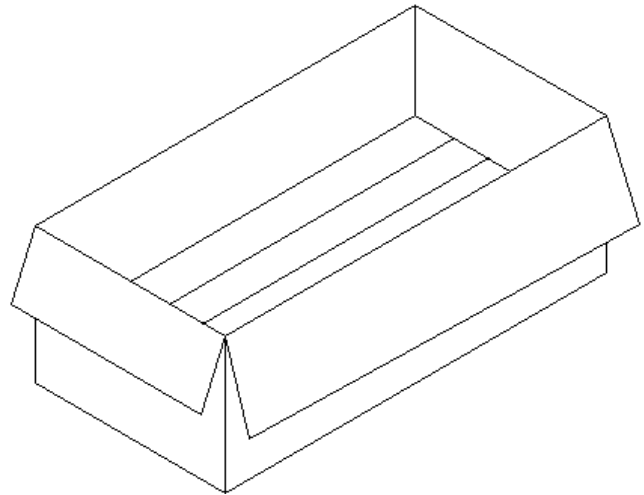
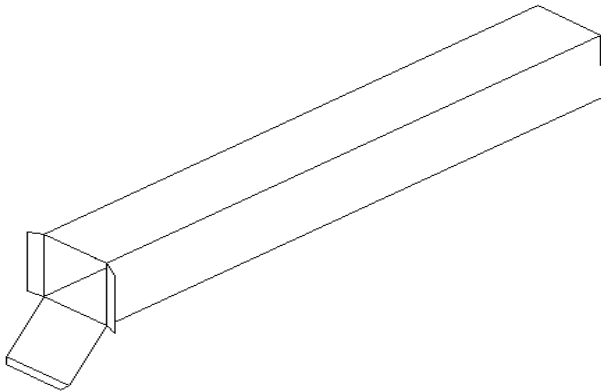
②、Electronic type of ballast



Step 4 : Install T8 LED tube. (fig.4)



◆ Packaging Method:



25pcs tubes per shipping box

Tube box size: 1225mm x 33mm x 33mm (LxWxH)

Shipping box size: 1235mm x 200mm x 200mm (LxWxH)