

TONE RINGER ICs

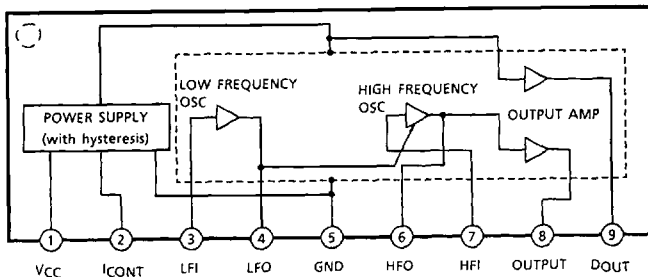
TONE RINGER FOR TELEPHONE SET

FEATURES

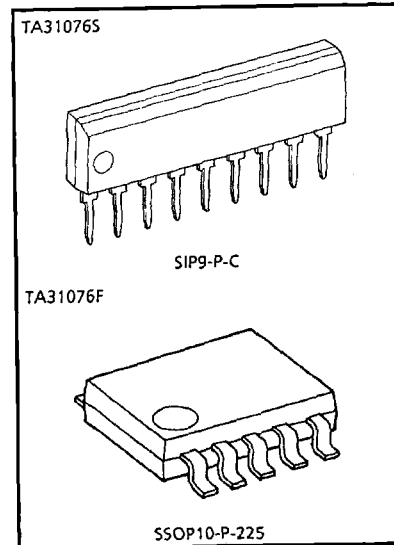
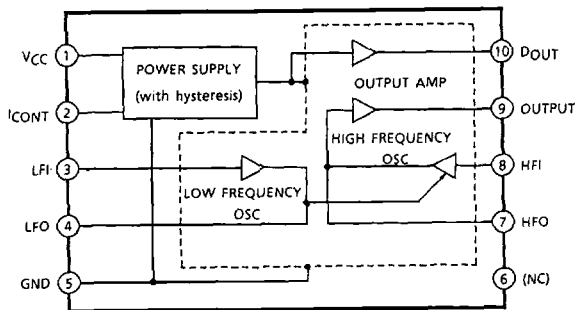
- The Tone Ringer with a built-in Ring Detector. It supplies about 5V DC voltage while tone ring outputs so it is convenient to count the call.
- Since operating voltage is high, output sound pressure level can be made high.
- Initiation supply voltage is low. (12.4V)
- Initiation current consumption can be varied with external resistance.
- Very few external parts

BLOCK DIAGRAM

TA31076S



TA31076F



Weight SIP9-P-C : 0.72g (Typ.)
SSOP10-P-225 : 0.09g (Typ.)

TA31076S/F-1

OPERATING INSTRUCTION

1. Initiation supply voltage (V_{Si}), sustaining supply voltage (V_{SUS}), and current consumption (I_{CC})

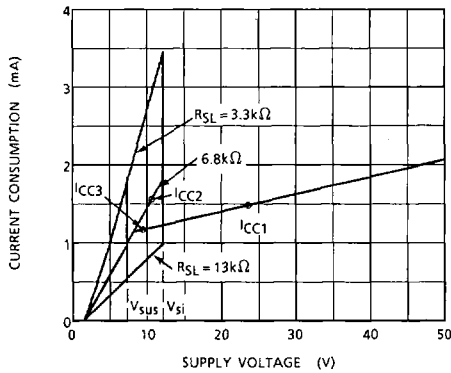


Fig.1

2. Method of using I_{cont} terminal [pin 2 (2)]

In TA31076S, TA31076F, the initiation current consumption can be changed by using the I_{cont} terminal. The resistor R_{SL} is connected to GND terminal [pin 5 (5)] from I_{cont} terminal as shown in Fig.2.

Further, the initiation current consumption can be changed by changing the value of R_{SL} .

$$R_{SL} \geq 2k\Omega$$

(Refer to Fig.1)

3. Oscillation frequency

In TA31076S, TA31076F, two kinds of oscillation frequencies f_{H1} and f_{H2} of high frequency oscillating circuit are alternately oscillated and output through oscillation frequency f_L of low frequency oscillating circuit.

Oscillation frequencies f_L , f_{H1} and f_{H2} can be set by C_1 , C_2 , R_1 and R_2 of external circuit.

The standard of each oscillation frequency is as follows.

Set R_1 and R_2 at $140k\Omega$ or over.

- (1) $f_L \approx 1 / 1.25 \cdot R_1 \cdot C_1$
- (2) $f_{H1} \approx 1 / 1.36 \cdot R_2 \cdot C_2$
- (3) $f_{H2} \approx 1.29 \cdot f_{H1}$

4. Ring detect output

When the IC becomes oscillating start condition, about 5V voltage is output at the D_{OUT} terminal. It is pulled down about $200k\Omega$.

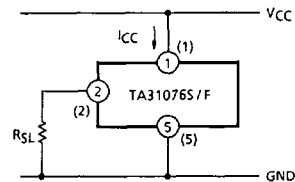
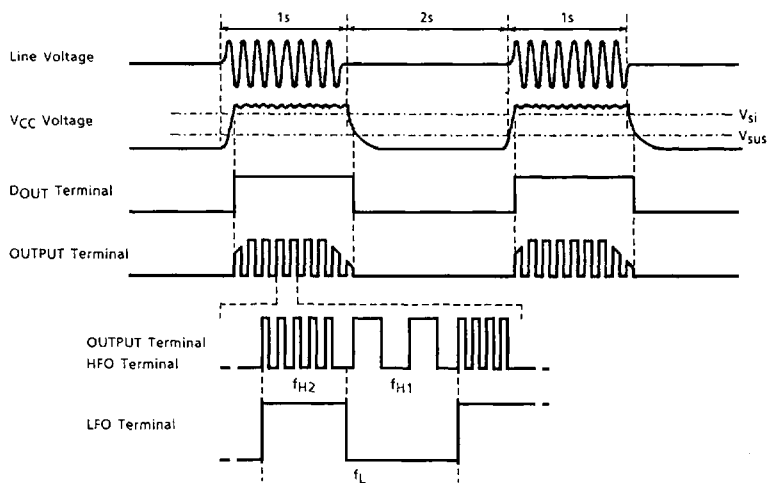


Fig.2

Terminal No. in () is that of TA31076F

TONE RINGER ICs

5. Timing chart



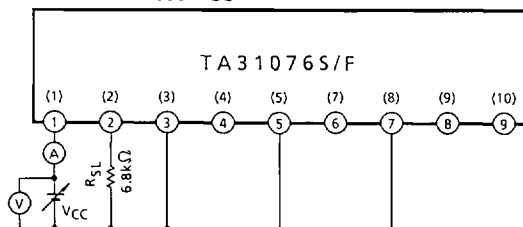
TA31076S/F-3

tone RINGER ICs

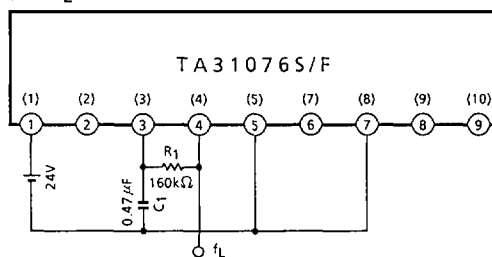
TEST CIRCUIT

Terminal No. in () is that of TA31076F.

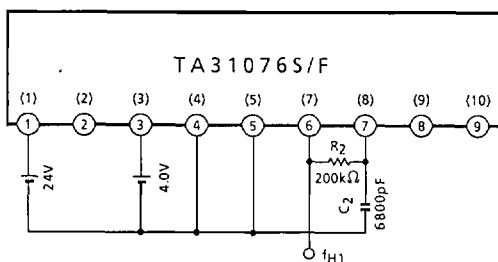
(1) V_{Si} , V_{Sus} , I_{CC}



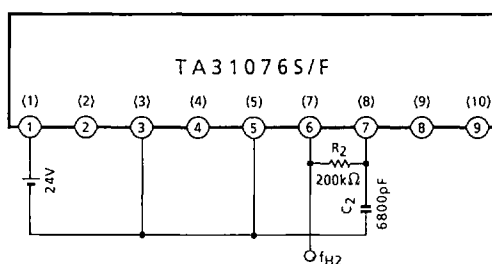
(2) f_L



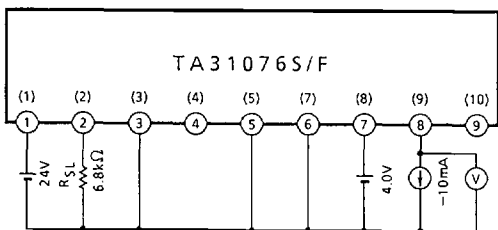
(3) f_{H1}



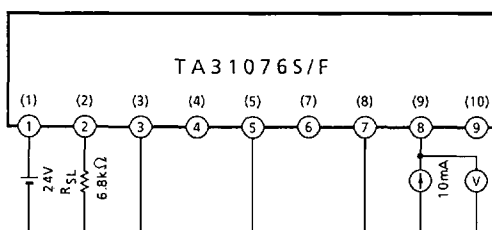
(4) f_{H2}



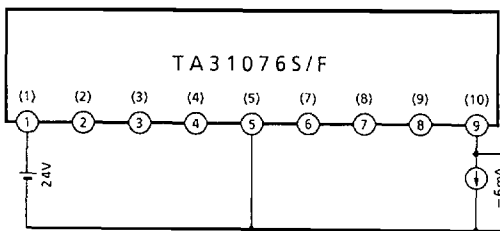
(5) V_{OH}



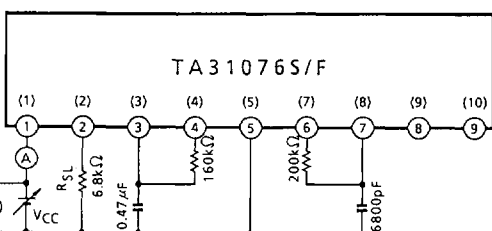
(6) V_{OL}



(7) V_D

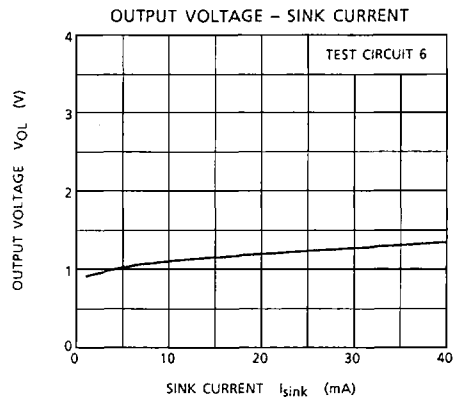
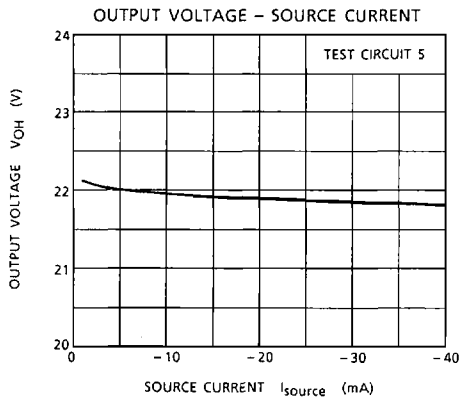
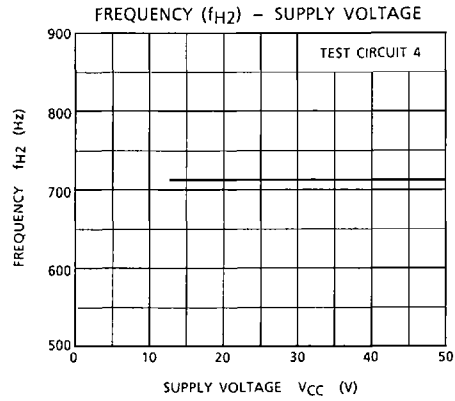
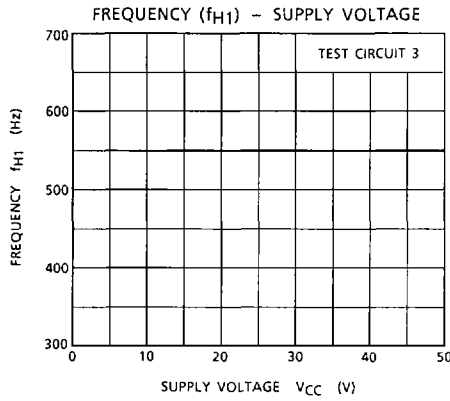
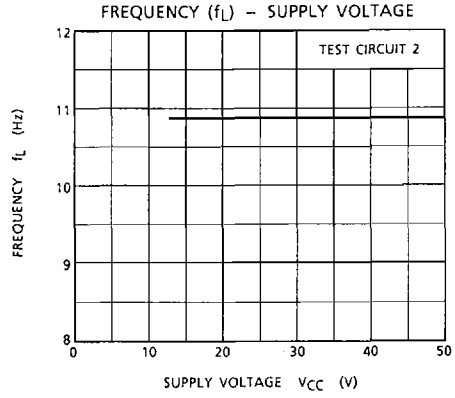
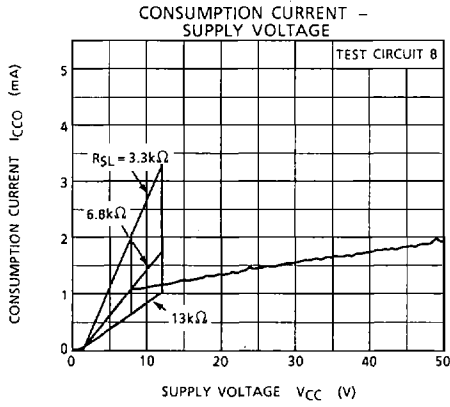


(8) I_{CCO}



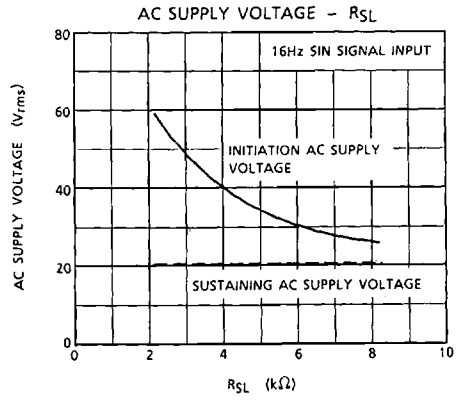
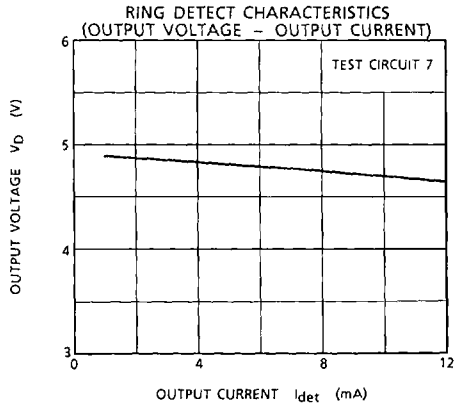
TA31076S/F-5

TONE RINGER ICs



TA31076S/F-6

TONE RINGER ICs



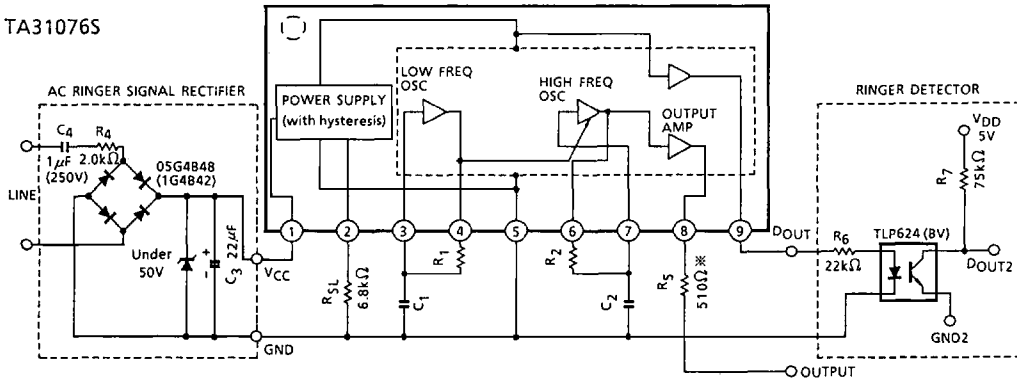
* Ceramic sounder RKM34EW-1201 load on application circuit.

TA31076S/F-7

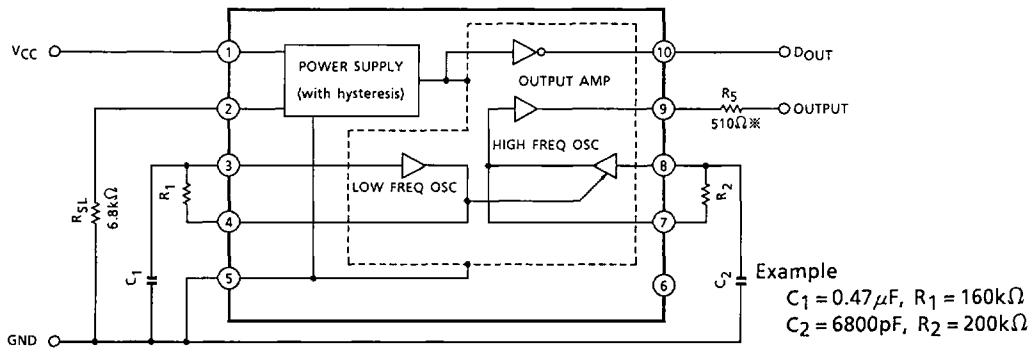
1 TONE RINGER ICs

EXAMPLE OF APPLICATION CIRCUIT

TA31076S



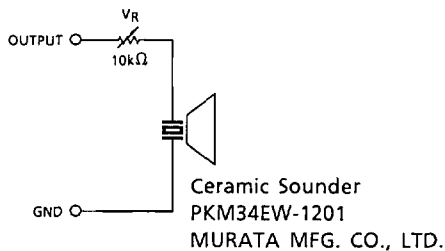
TA31076F



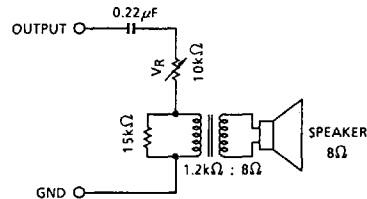
※ Please keep the resistor more than 500Ω connected between pin 8 (pin 9) and output because of avoiding the rush current.

EXAMPLE OF OUTPUT CIRCUIT

For Ceramic Sounder



For Speaker



TA31076S/F-8