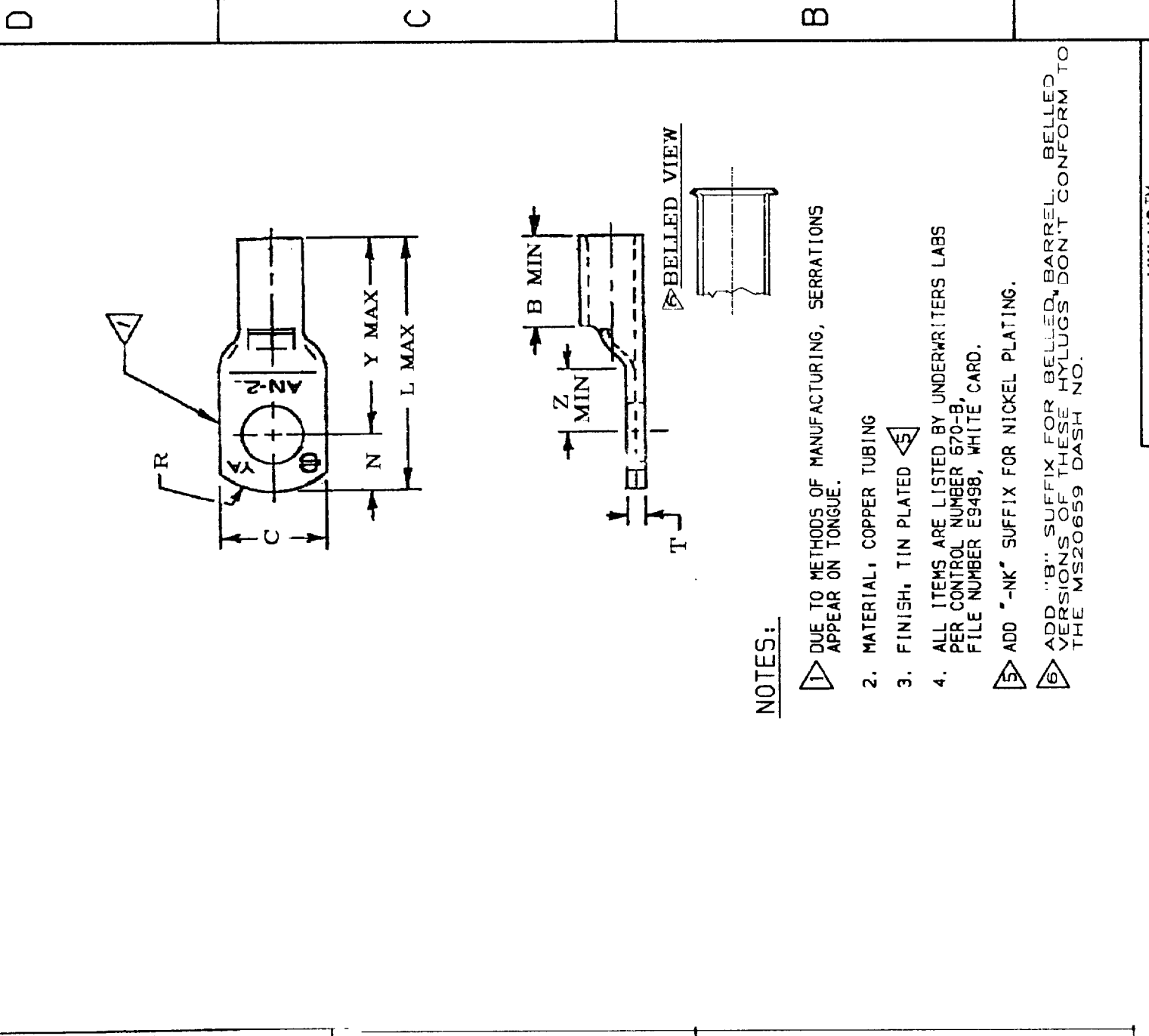


5034764

COPPER AIRCRAFT CABLE MIL-W-3036

4	3	2	1
DASH NO.	STUD SIZE	CATALOG NUMBER	INSTALL. TOOL INDEX NUMBER
153	1/4	YAV26-L1	
119	5/16	YAV26-L2	
120	3/8	YAV26-L	
	3/16	YAV26-L31	.75
154	7/16	YAV26-L16	
136	1/2	YAV26-L3	
	5/8	YAV26-L12	.782
	3/4	YAV26-L22	
	3/8	YAV26-L43	
	1/4	YAV27-L17	
155	5/16	YAV27-L20	
121	3/8	YAV27-L	.75
	7/16	YAV27-L35	
	1/2	YAV27-L31	.125
156	7/16	YAV27-L18	
122	1/2	YAV27-L1	.782
	5/8	YAV27-L15	
	3/4	YAV27-L22	
	3/8	YAV27-L42	.15 REF.
	1/4	YAV28-L53	
157	5/16	YAV28-L56	
123	3/8	YAV28-L	.135
	7/16	YAV28-L76	
	1/2	YAV28-L73	.102
	5/8	YAV28-L67	.845
158	7/16	YAV28-L60	
	1/2	YAV28-L75	.135
124	5/8	YAV28-L12	
159	5/8	YAV28-L13	
	5/8	YAV28-L77	
160	3/4	YAV28-L14	.133
137	7/8	YAV28-L54	



NOTES:

1. DUE TO METHODS OF MANUFACTURING, SERRATIONS APPEAR ON TONGUE.
2. MATERIAL, COPPER TUBING
3. FINISH, TIN PLATED
4. ALL ITEMS ARE LISTED BY UNDERWRITERS LABS PER CONTROL NUMBER 670-B, FILE NUMBER E9498, WHITE CARD.
5. ADD "-NK" SUFFIX FOR NICKEL PLATING.
6. ADD "B" SUFFIX FOR BELLED BARREL. BELLED VERSIONS OF THESE HYLUGS DON'T CONFORM TO THE MS20659 DASH NO.

HYLUG™

DRAWING NO. YAV--L (SEE TABLE)

DATE: 6-1-77

BY: RER

REV: KRBULM

PROJECT: N/A

DESCRIPTION: 2-2-73 DASHED TB 6-1-77

FILE NO: 5034764

SHEET 3 OF 3