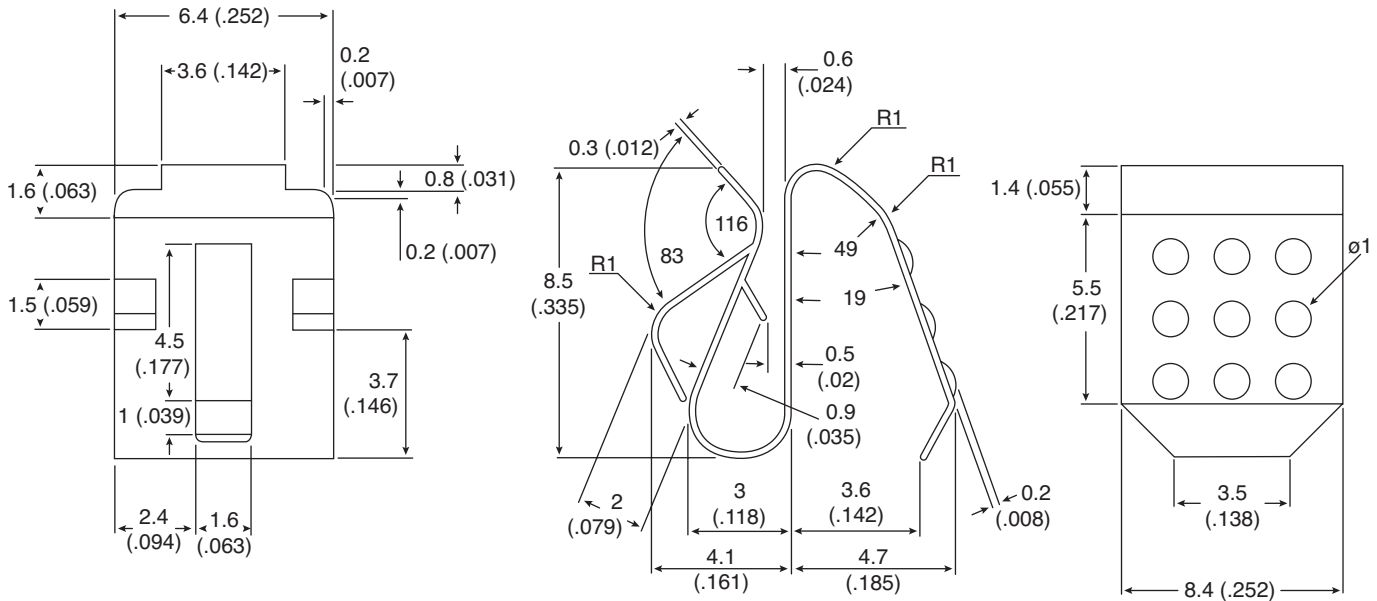


Date Last Revised: 6-7-07



Dimensions: mm (in.)

SPECIFICATIONS	
Material:	Spring Steel Nickel Plated
RoHS Compliant	

Available from Mouser Electronics
1-800-346-6873 / www.mouser.com

EPD-200578