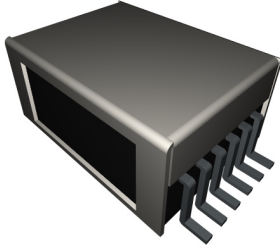


3E FormC Series

Miniature Surface Mount Form C



PRODUCT DESCRIPTIONS

The 3E FormC Series features the most reliable 1 Form C relays in the Sanyu SMT product line.

These relays provide high-cycle support demanded by the ATE and measurement instrument industries.

- RF performance up to 2.5GHz
- Impedance 50Ω
- High reliability 1 Form C 3x10⁸

SPECIFICATIONS

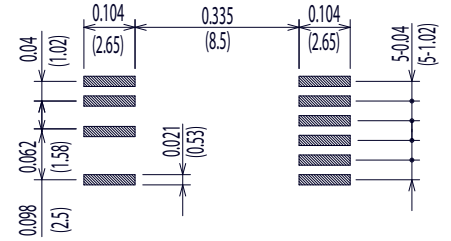
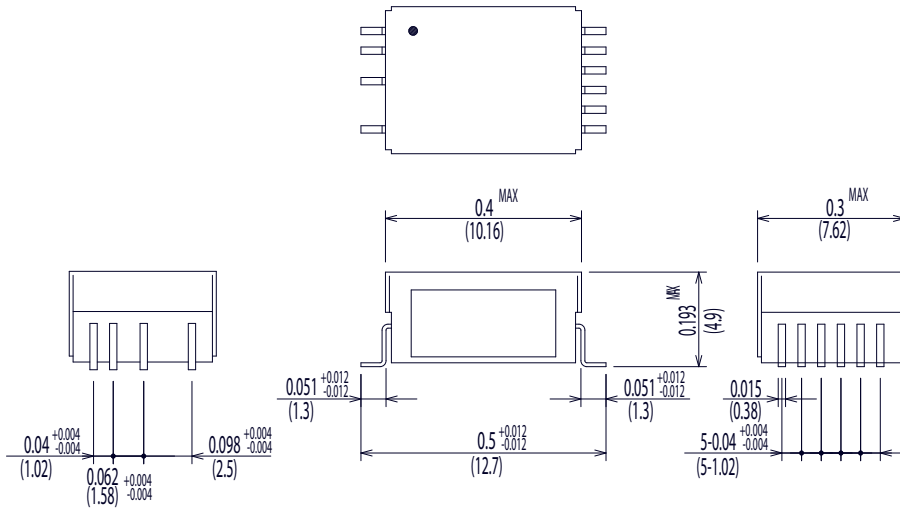


3E FormC Series		3E-55G	3E-15G	3E-25G	G: Gull-Wing, J: J-Lead
		3E-55J	3E-15J	3E-25J	
Parameters	Units	1 form C			Test Conditions
Coil Specifications					
Nominal Coil Voltage	VDC	3.3	5.0	12.0	±10% @ 20°C 15°C to 35°C 15°C to 35°C
Coil Resistance	Ω	70	110	550	
Operate Voltage	VDC Max	2.8	3.75	8.8	
Release Voltage	VDC Min	0.7	0.7	1.2	
Contact Ratings					
Switching Voltage	Volts	100			Max DC/Peak AC resistance
Switching Current	Amps	0.5			Max DC/Peak AC resistance
Carry Current	Amps	1.0			Max DC/Peak AC resistance
Contact Rating	Watts	10			Max DC/Peak AC resistance
Life Expectancy	x10 ⁶ Cycle	300			@ 1V 10mA
Contact Resistance	mΩ	150			Max initial @ operate voltage
Contact Resistance Stability	mΩ	5.0			Max initial @ operate voltage
Relay Specifications					
Insulation Resistance	Ω Min	10 ¹¹			Between all isolated pins @ 100V 20°C 40%RH
Dielectric Strength	VDC Min	200			Between contacts
	VDC Min	250			Contacts to shield
Operate Time (Including Bounce)	VDC Min	250			Contacts / Shield to coil
	msec Max	0.5			@ nominal coil voltage
Release Time	msec Max	0.5			100Hz square wave Diode suppression
Environmental Ratings					
Measurement Reference Conditions		Storage temp: -40°C to +85°C			
Temp: 15°C to 35°C		Operate temp: -20°C to +60°C			
Humidity: 25% to 75%RH		Vibration: 20G's to 2000Hz			
Atmospheric Pressure: 860 to 1060hpa		Shock: 50G's			

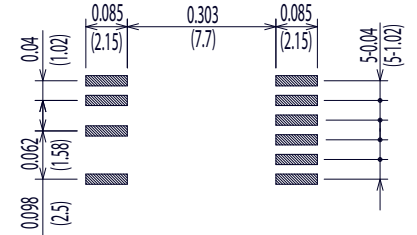
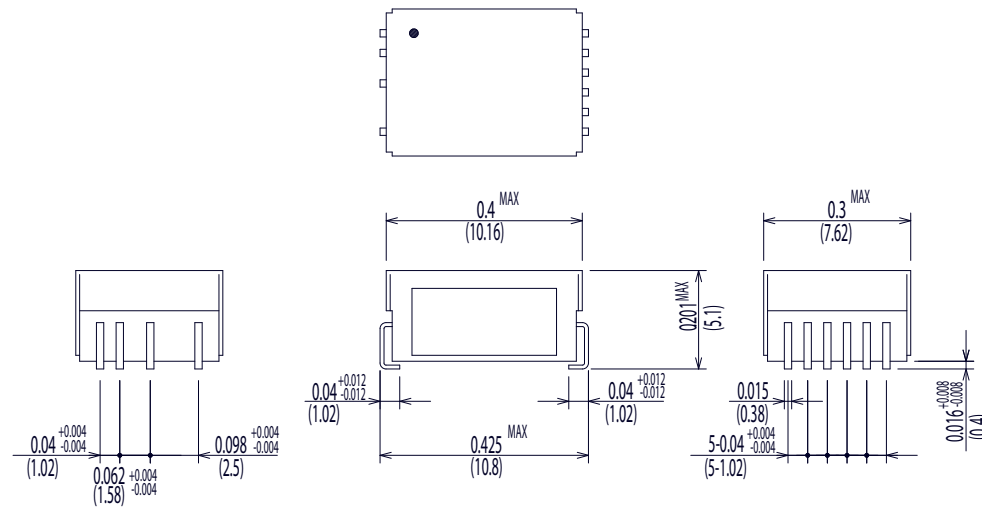
Dimensions All Dimensions are inches (mm)

Land Pattern Recommendation

3E-55G/3E-15G/3E-25G



3E-55J/3E-15J/3E-25J



Schematic <Top View>

