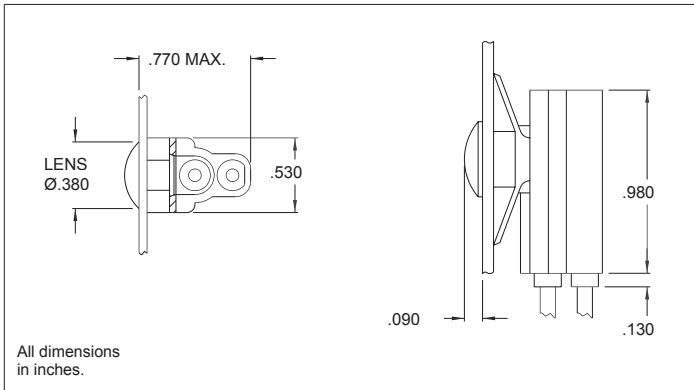


## 4700A and 4702A Series Non-Relampable Neon Indicator Light

### Description and Features



Mounting: Will snap-fit into  $\text{Ø}.032/.317$  in panels  
.202/.125 thick.

Wire Leads: No. 22 AWG (105°C) 4.40/4.80 long,  
stripped .430/.570

Lens: Polycarbonate

Housing: White nylon

| Lens Color | Neon                      |
|------------|---------------------------|
|            | Model No.<br>(105-125VAC) |
| Red        | 4700A1                    |
| Amber      | 4700A3                    |
| White      | 4700A4                    |
| Green      | 4702A5*                   |
| Lamp used  | C2A+Resistor              |
| Lamp color | Black                     |

\*Incorporates G2B lamp and resistor  
Underwriters Laboratories (UL) File No. E20325  
Canadian Standards Association (CSA) File No. LR13346