

Specifications

Current rating: 2A AC,DC

Voltage rating: 125V AC,DC

Temperature range: -25°C ~ +85°C

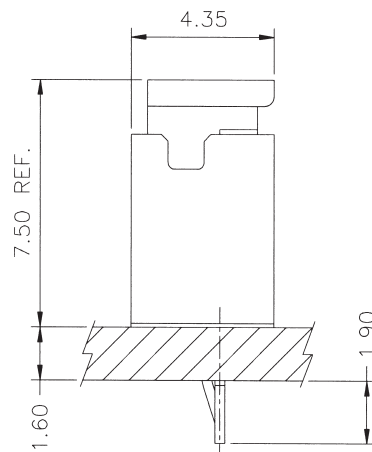
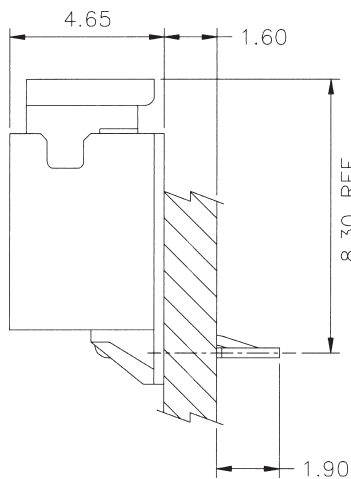
Contact resistance: 20mΩ Max.

Insulation resistance: 1000MΩ Min.

Withstanding voltage: 800V AC/minute

Contact H.R for details

Assembly layout



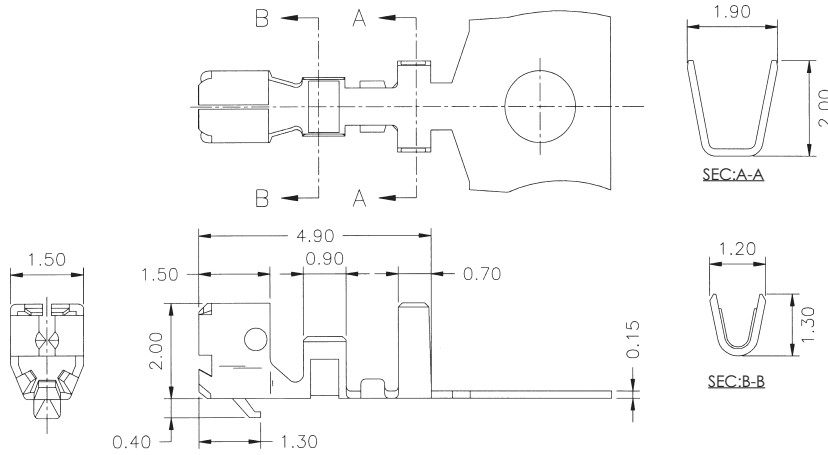


A2002-T

2.00mm pitch Crimp Terminal

Reference Informations:

*Used in H.R A2002 series Housing



Ordering Information & Specifications:

Unit:mm

Part No.	Wire Range	Insulation O.D.	Material	Finish	Qty/reel
A2002-TPe	AWG#24-#30	1.40mm(max)	Phosphor Bronze	Tin-plated	10,000pcs

Note:e-Stamping before Tin-plated



A2002H

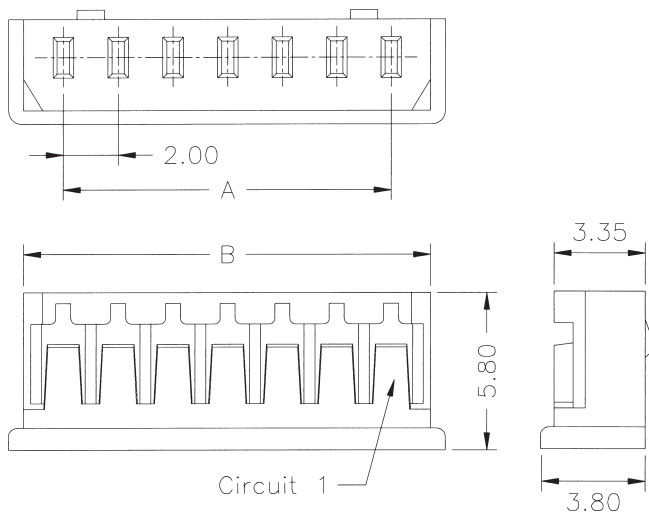
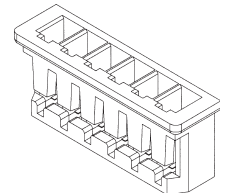
2.00mm pitch Housing

Reference Informations:

*Material: Nylon 66,UL94V-0

*Suitable H.R A2002 series Terminal

*Mates with H.R A2002 series Wafer



Ordering Information & Dimensions:

PART NO.	Dimensions	
	A	B
A2002H-2P	2.00	4.90
A2002H-3P	4.00	6.90
A2002H-4P	6.00	8.90
A2002H-5P	8.00	10.90
A2002H-6P	10.00	12.90
A2002H-7P	12.00	14.90
A2002H-8P	14.00	16.90
A2002H-9P	16.00	18.90
A2002H-10P	18.00	20.90
A2002H-11P	20.00	22.90
A2002H-12P	22.00	24.90
A2002H-13P	24.00	26.90
A2002H-14P	26.00	28.90
A2002H-15P	28.00	30.90

Unit:mm





A2002 SERIES

2.00mm pitch wire to board connector

A2002WV

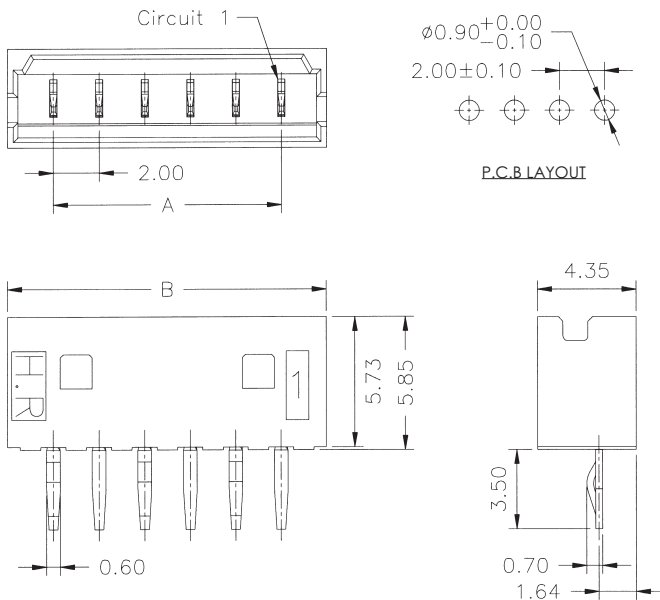
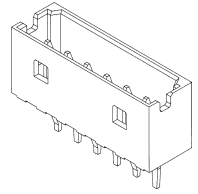
2.00mm pitch 180° Wafer

Reference Informations:

*Material: Pin: Phosphor Bronze /Tin-plated

Wafer: Nylon 66,UL94V-0

*Mates with H.R A2002 series Housing



Ordering Information & Dimensions:

PART NO.	Dimensions	
	A	B
A2002WV-2P	2.00	6.00
A2002WV-3P	4.00	8.00
A2002WV-4P	6.00	10.00
A2002WV-5P	8.00	12.00
A2002WV-6P	10.00	14.00
A2002WV-7P	12.00	16.00
A2002WV-8P	14.00	18.00
A2002WV-9P	16.00	20.00
A2002WV-10P	18.00	22.00
A2002WV-11P	20.00	24.00
A2002WV-12P	22.00	26.00
A2002WV-13P	24.00	28.00
A2002WV-14P	26.00	30.00
A2002WV-15P	28.00	32.00

Unit:mm

A2002WR

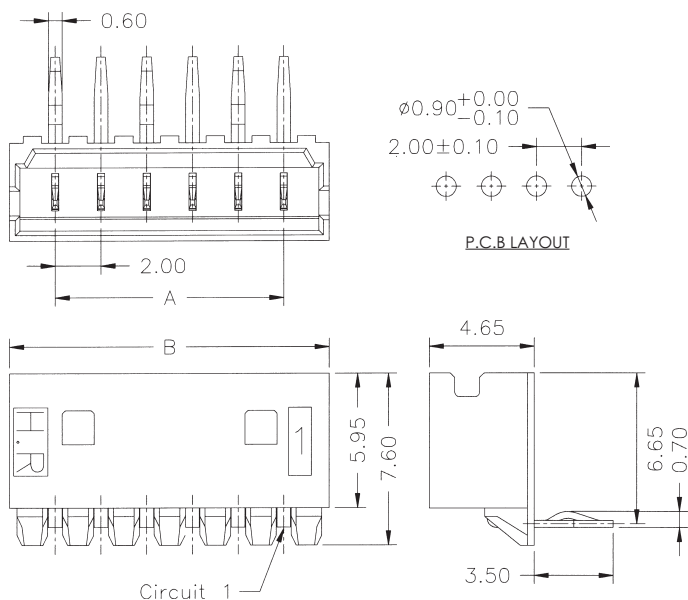
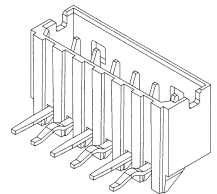
2.00mm pitch 90° Wafer

Reference Informations:

*Material: Pin: Phosphor Bronze /Tin-plated

Wafer: Nylon 66,UL94V-0

*Mates with H.R A2002 series Housing



Ordering Information & Dimensions:

PART NO.	Dimensions	
	A	B
A2002WR-2P	2.00	6.00
A2002WR-3P	4.00	8.00
A2002WR-4P	6.00	10.00
A2002WR-5P	8.00	12.00
A2002WR-6P	10.00	14.00
A2002WR-7P	12.00	16.00
A2002WR-8P	14.00	18.00
A2002WR-9P	16.00	20.00
A2002WR-10P	18.00	22.00
A2002WR-11P	20.00	24.00
A2002WR-12P	22.00	26.00
A2002WR-13P	24.00	28.00
A2002WR-14P	26.00	30.00
A2002WR-15P	28.00	32.00

Unit:mm