

Video switch for CANAL-Plus decoder

BA7630S / BA7630F

The BA7630S and BA7630F are decoder switching ICs for the scrambled broadcasts in France. The ICs include a 3-input multiplexer, 2-input multiplexers with 6dB amplifiers, and a 9-bit serial-to-parallel converter. These ICs greatly simplify decoder switching, and can be connected to a control microprocessor using just two lines.

●Applications

Video cassette recorders

●Features

- 1) All the switching functions required for SECAM CANAL plus decoder integrated onto one chip.
- 2) Built-in 9-bit serial-to-parallel converter for decoder and TV control reduces number of microprocessor wiring connections required.
- 3) Inputs have a sync-tip clamp.
- 4) The switch section can be used independently.
- 5) Low power consumption off a 5V supply.

●Absolute maximum ratings (Ta = 25°C)

Parameter	Symbol	Limits		Unit
Power supply voltage	V _{CC}	9*1		V
Power dissipation	P _d	BA7630S	500*2	mW
		BA7630F	600*3	
Operating temperature	T _{opr}	- 25 ~ + 70		°C
Storage temperature	T _{stg}	- 55 ~ + 125		°C

*1 13V for switches 1 to 9.

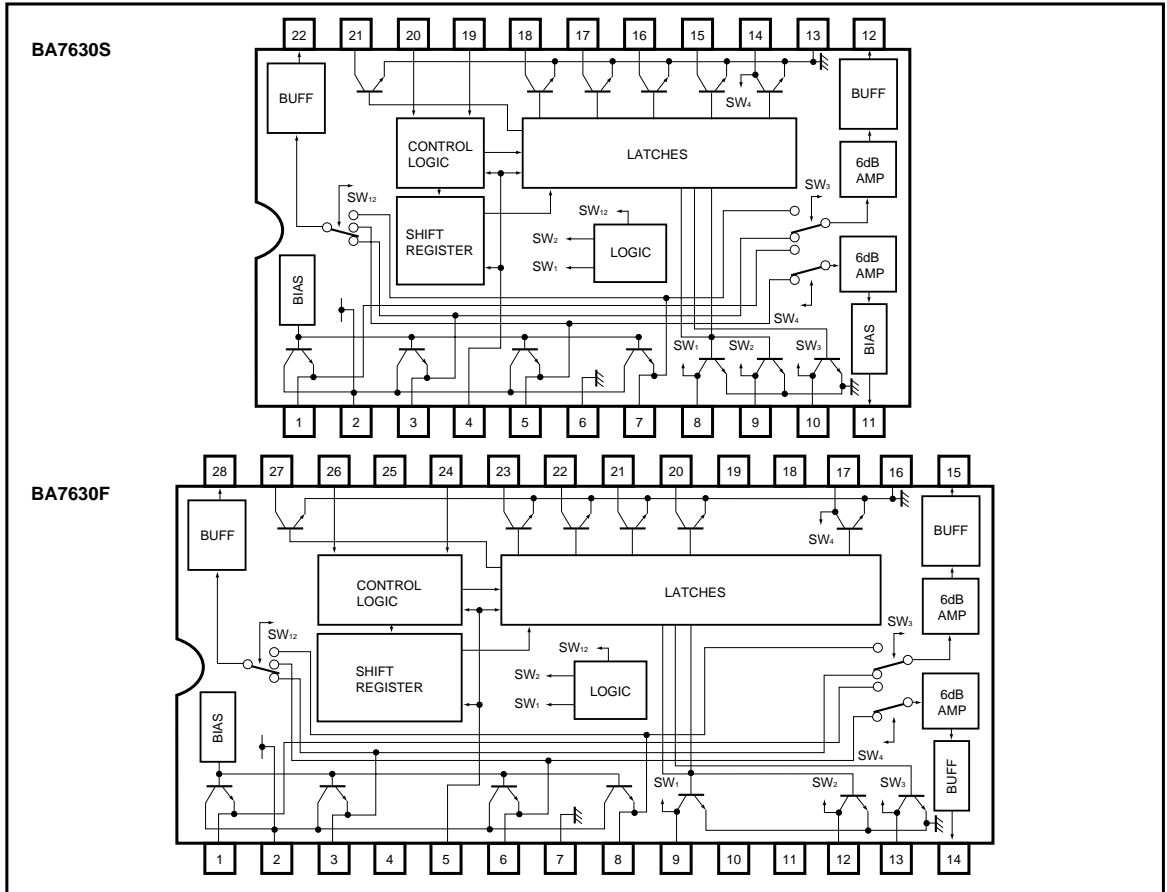
*2 Reduced by 5.0mW for each increase in Ta of 1°C over 25°C.

*3 Reduced by 6.0mW for each increase in Ta of 1°C over 25°C.

●Recommended operating conditions (Ta = 25°C)

Parameter	Symbol	Min.	Typ.	Max.	Unit
Power supply voltage	V _{CC}	4.5	5.0	5.5	V

●Block diagram



●Pin descriptions

Pin No.	Pin name	Pin No.	Pin name
1	IN 4	12 (15)	OUT 2
2	V _{CC}	13 (16)	GND
3	IN 1	14 (17)	SW 4 IN / OUT
4 (5)	RESET IN	15 (20)	SW 5 OUT
5 (6)	IN 2	16 (21)	SW 6 OUT
6 (7)	GND	17 (22)	SW 7 OUT
7 (8)	IN 3	18 (23)	SW 8 OUT
8 (9)	SW 1 IN / OUT	19 (24)	CLOCK IN
9 (10)	SW 2 IN / OUT	20 (26)	DATA IN
10 (13)	SW 3 IN / OUT	21 (27)	SW 9 OUT
11 (14)	OUT 3	22 (28)	OUT 1

Pin numbers in parentheses are for the BA7630F.

●Electrical characteristics (unless otherwise noted Ta = 25°C and Vcc = 5.0V)

Parameter	Symbol	Min.	Typ.	Max.	Unit	Conditions	Measurement Circuit
Supply current	I _{CC}	—	28	40	mA	—	Fig.1
(Analog)							
Maximum output level	V _{om}	2.5	2.8	—	V _{P-P}	f = 1kHz, THD = 0.5%	Fig.1
Voltage gain 1	G _{V1}	-0.5	0	0.5	dB	f = 1MHz, V _{IN} = 1.0V _{P-P}	
Voltage gain 2	G _{V2}	5.5	6.0	6.5	dB	f = 1MHz, V _{IN} = 1.0V _{P-P}	
Frequency characteristic	G _f	-4.0	-1.5	+1.0	dB	10MHz / 1MHz V _{IN} = 1.0V _{P-P}	
Interchannel crosstalk	C _{TM}	—	-60	-45	dB	f = 4.43MHz V _{IN} = 1.0V _{P-P}	
SW ₁ ~ SW ₄ switch level	V _{TH1-4}	1.0	2.0	3.0	V	—	
(Digital)							
"H" input voltage	V _{IH}	3.0	—	—	V	—	Fig.3
"L" input voltage	V _{IL}	—	—	1.0	V	—	
"H" input current	I _{IH}	—	2	10	μA	—	Fig.2
"L" input current	I _{IL}	-80	-100	-150	μA	—	
"H" output leakage current 1	I _{QH1-4}	150	230	350	μA	V _{CC} = 12V	
"H" output leakage current 2	I _{QH5-9}	—	0	50	μA	V _{CC} = 12V	
"L" output voltage	V _{QL}	—	0.1	0.5	V	I _{CC} = 2mA	Fig.1
Maximum clock frequency	f _{Max.}	250	500	—	kHz	—	
Setup time	t _{su}	—	0.1	1.0	μs	—	

● Measurement circuits
BA7630S

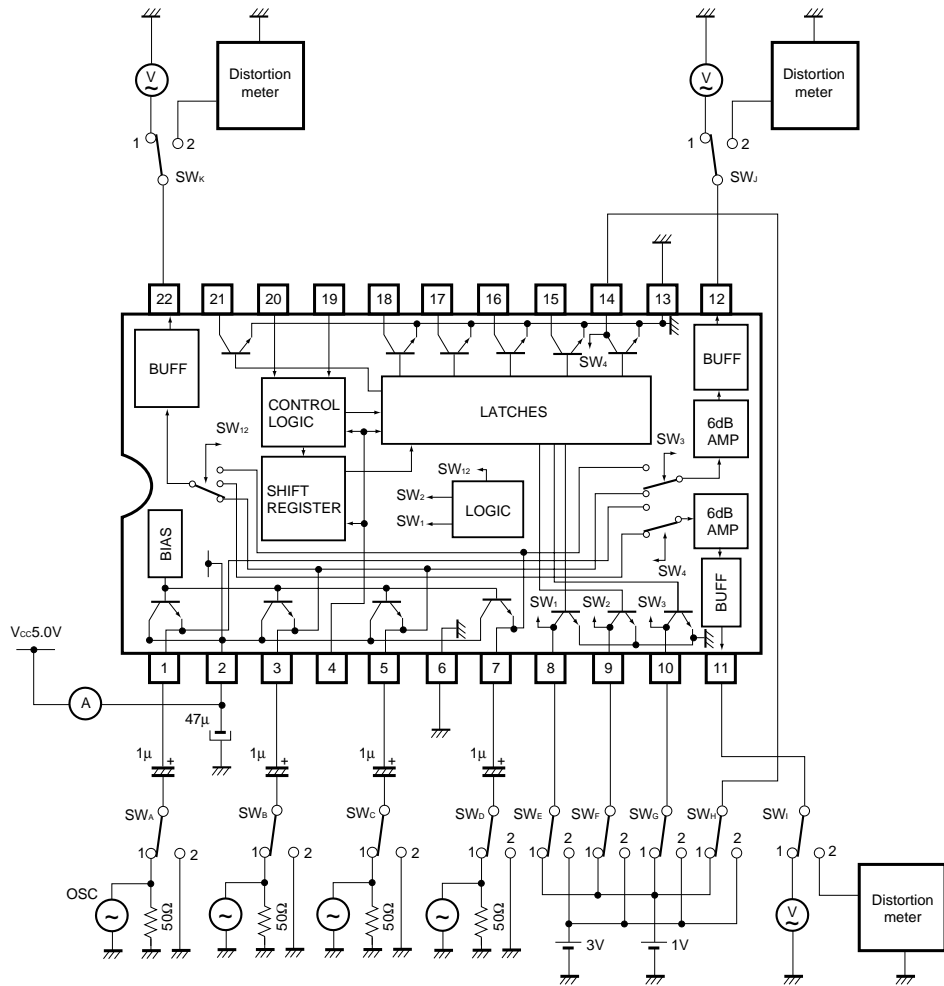


Fig.1

BA7630S

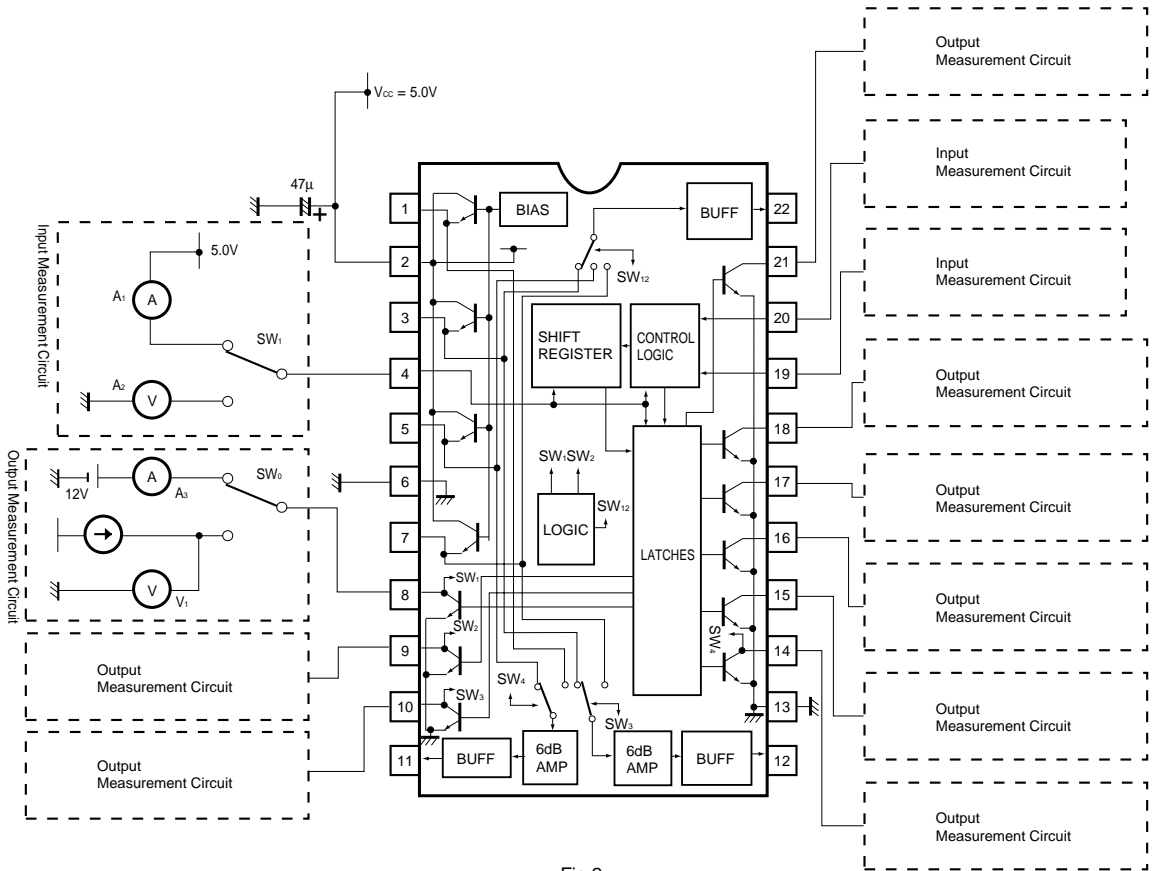


Fig.2

● Measurement conditions

Parameter	Symbol	Switch setting											Measurement method
		SW _A	SW _B	SW _C	SW _D	SW _E	SW _F	SW _G	SW _H	SW _I	SW _J	SW _K	
Current dissipation	I _{CC}	2	2	2	2	2	2	2	2	×	×	×	—
Maximum output level	V _{om1-1}	2	1	2	2	1	1	×	×	×	×	2	Note 1
	V _{om2-1}	2	2	1	2	1	2	×	×	×	×	2	
	V _{om3-1}	2	2	2	1	2	×	×	×	×	×	2	
	V _{om1-2}	2	1	2	2	×	×	2	×	×	2	×	
	V _{om3-2}	2	2	2	1	×	×	2	×	×	2	×	
	V _{om2-3}	2	2	1	2	×	×	×	1	2	×	×	
V _{om4-3}	1	2	2	2	×	×	×	2	2	×	×		
Voltage gain 1	G _{v1-1-2}	2	1	2	2	×	×	1	×	×	1	×	Note 2
	G _{v1-3-2}	2	2	2	1	×	×	2	×	×	2	×	
	G _{v1-2-3}	2	2	1	2	×	×	×	1	2	×	×	
	G _{v1-4-3}	1	2	2	2	×	×	×	2	2	×	×	
Voltage gain 2	G _{v2-1-1}	2	1	2	2	1	1	×	×	×	×	1	
	G _{v2-2-1}	2	2	1	2	1	2	×	×	×	×	1	
	G _{v2-3-1}	2	2	2	1	2	×	×	×	×	×	1	
Frequency characteristics	G _{r1-1}	2	1	2	2	1	1	×	×	×	×	2	Note 3
	G _{r2-1}	2	2	1	2	1	2	×	×	×	×	2	
	G _{r3-1}	2	2	2	1	2	×	×	×	×	×	2	
	G _{r1-2}	2	1	2	2	×	×	2	×	×	2	×	
	G _{r3-2}	2	2	2	1	×	×	2	×	×	2	×	
	G _{r2-3}	2	2	1	2	×	×	×	1	2	×	×	
G _{r4-3}	1	2	2	2	×	×	×	2	2	×	×		
Interchannel crosstalk	C _{TM1-1-2}	2	2	1	2	1	1	×	×	×	×	1	Note 4
	C _{TM1-1-3}	2	2	2	1	1	1	×	×	×	×	1	
	C _{TM2-1-1}	2	1	2	2	1	2	×	×	×	×	1	
	C _{TM2-1-3}	2	2	2	1	1	2	×	×	×	×	1	
	C _{TM3-1-1}	2	1	2	2	2	2	×	×	×	×	1	
	C _{TM3-1-2}	2	2	1	2	2	2	×	×	×	×	1	
	C _{TM1-2-3}	2	2	2	1	×	×	1	×	×	1	×	
	C _{TM3-2-1}	2	1	2	2	×	×	2	×	×	1	×	
	C _{TM2-3-4}	1	2	2	2	×	×	×	1	1	×	×	
C _{TM4-3-2}	2	2	1	2	×	×	×	2	1	×	×		

The measurements in the above table were made with switching voltage levels for SW₁ to SW₄ of "L" = 1V, and "H" = 3V.

Note 1: Connect distortion meters to the outputs. Adjust the input level so that the output distortion is 0.5% for a f = 1kHz sine wave input.

This output voltage is the maximum output level V_{om} (V_{P-P}).

Note 2: Input a f = 1MHz, 1V_{P-P} sine wave. The voltage gain G_v = 20 log V_{OUT} / V_{IN} (dB).

Note 3: Input a f = 1MHz and 10MHz, 1V_{P-P} sine wave. The frequency characteristic G_r = 20 log V_{OUT} (f = 10M) / V_{OUT} (f = 1M) (dB).

Note 4: Input a f = 4.43MHz, 1V_{P-P} sine wave.

0dB amplifier SW crosstalk is C_{TM0}, and the 6dB amplifier SW crosstalk is C_{TM6}.

C_{TM0} = 20 log V_{OUT} / V_{IN} (dB)

C_{TM6} = 20 log V_{OUT} / V_{IN} + 6 (dB)

●Circuit operation

Digital block truth table

INPUT			OUTPUT	Note
Reset	Clock	Data	SW ₁SW ₉	
H	×	×	H.....H	—
L	L	×	SW ₁₋₀SW ₉₋₀	—
L	H	×	SW ₁₋₀SW ₉₋₀	—
L	↑	H	SW ₁₋₀SW ₉₋₀	Data "L" sent to internal shift register
L	↑	L	SW ₁₋₀SW ₉₋₀	Data "H" sent to internal shift register
L	↓	L	SW ₁₋₀SW ₉₋₀	Internal shift register data unchanged
L	↓	H	SW _{1-N}SW _{9-N}	Contents of internal shift register sent to internal latch

Note 1: H: high level

Note 2: L: low level

Note 3: ×: either H or L

Note 4: ↑: L to H transition

Note 5: ↓: H to L transition

Note 6: SW₁₋₀ to SW₉₋₀: SW₁ to SW₉ levels before establishing the input conditions shown in the table.Note 7: SW_{1-N} to SW_{9-N}
nearest clock ↓ transition.

Analog truth table

(1) OUT1 switch

SW ₁	SW ₂	RESET	SELECT
L	L	H	IN1
L	H	H	IN2
H	L	H	IN3
H	H	H	IN3

(2) OUT2 switch

SW ₃	RESET	SELECT
L	H	IN1
H	H	IN3

(3) OUT3 switch

SW ₄	RESET	SELECT
L	H	IN2
H	H	IN4

Note: When using the switches independently without the digital block, the RESET pin must be set to "H".

●Digital circuit operation

(1) Introduction

The BA7630S has 9-bit serial-to-parallel converter and latch circuit that has been included to expand the number of microprocessor output ports. The breakdown voltage of the output pins is 13V, so switch them in the range 0 to 12V. In addition to controlling the BA7630S switching block, these outputs can be used to control audio switching, scrambling decoders, and television sets.

(2) Using the serial-to-parallel converter block

Signal input is basically done using clock and data pulses. As shown in Fig.10, the data is read on the rising edge of the clock pulses. If the data is "H" on the rising edge of the clock pulse, a "L" data bit is input to the shift register, and if the data is "L" on the rising edge of the clock pulse, a "H" data bit is input to the shift register. The shift register is sequentially incremented by the bit corresponding to SW₁. Data in excess of 9 bits is sequentially discarded.

If the data is "H" on a falling edge of the clock, the contents of the shift register are read into the internal latch, and simultaneously output to the output port (the data polarity is inverted on output). This output is maintained until the latch is setup again.

To reset, set the RESET pin to "H". The internal shift register and latch contents go low (latch output all "H"), for the duration that RESET is held high.

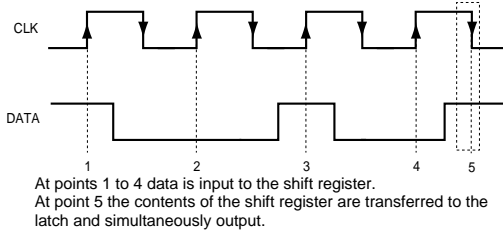


Fig. 4 CLK and DATA relationship

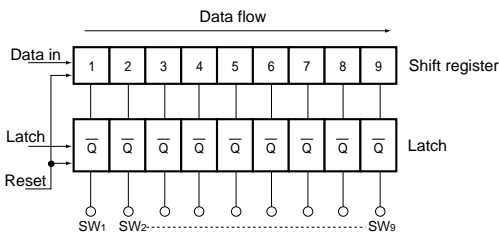


Fig. 5 Digital block

(3) Pulse timing

The pulse timing diagrams are given below.

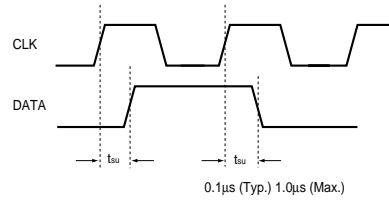


Fig. 6 Clock rising edge and data relationship (setup time)

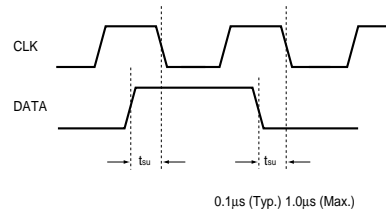


Fig. 7 Clock falling edge and data relationship (setup time)

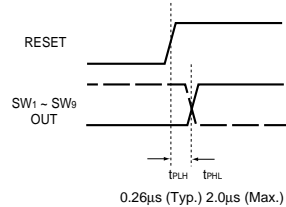


Fig. 8 Reset and output relationship (reset transmission time)

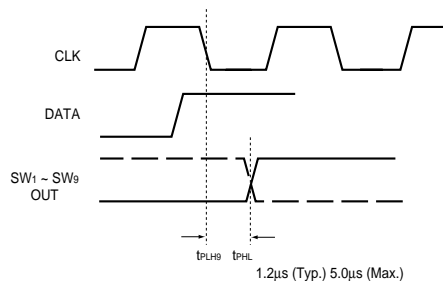


Fig. 9 Clock falling edge and output relationship (latch transmission time)

●Timing chart

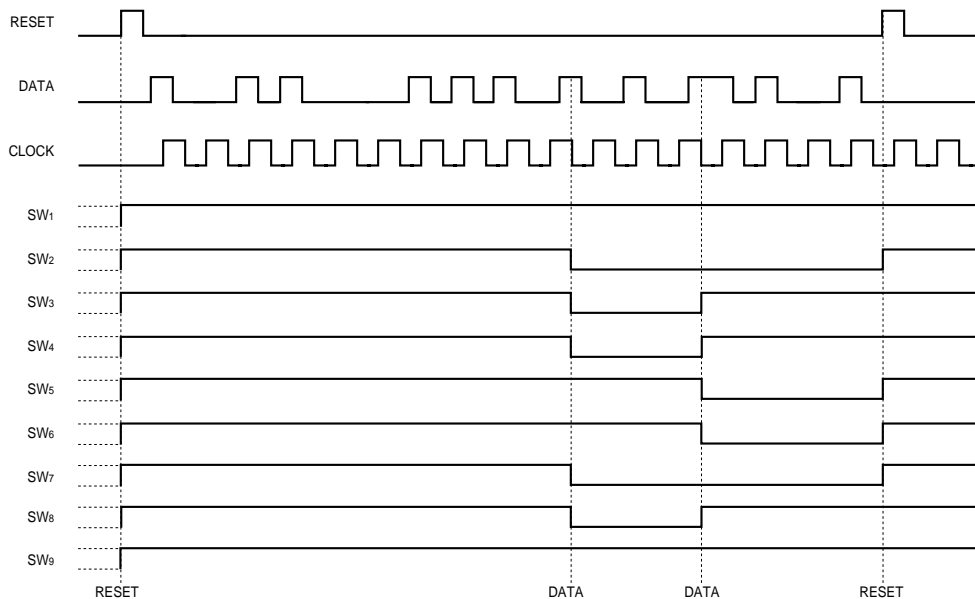


Fig.10

●Application examples

(1) Analog block

BA7630S pin layout

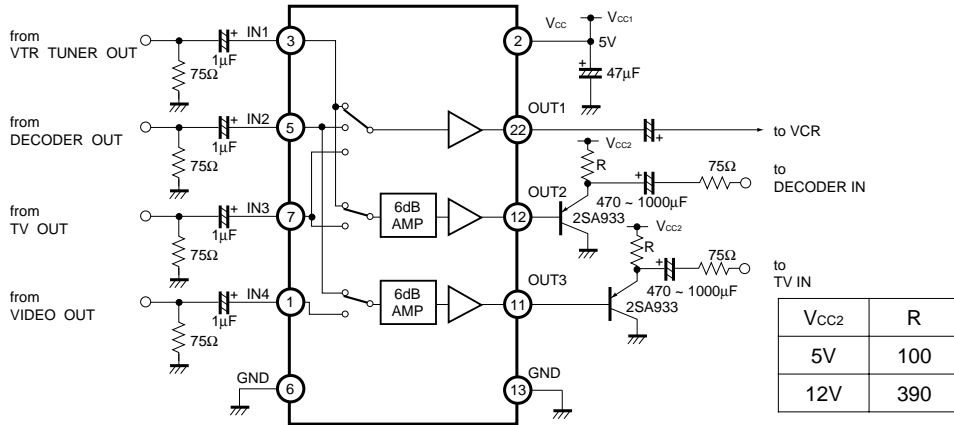


Fig.11

(2) Digital block

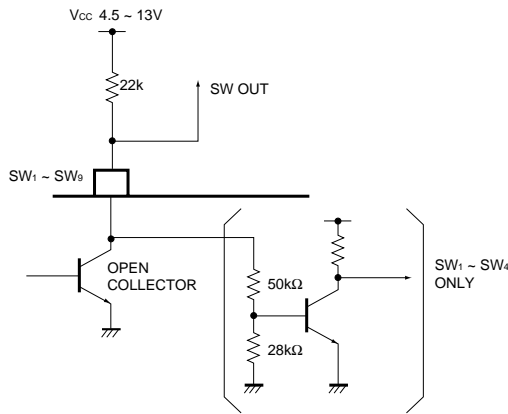


Fig.12

●Electrical characteristic curves

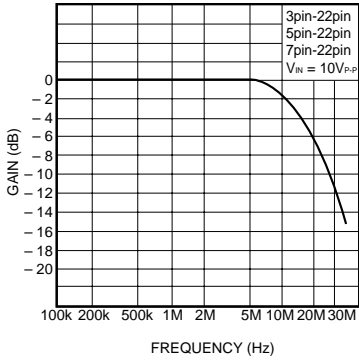


Fig. 13 Frequency characteristic(OUT1)

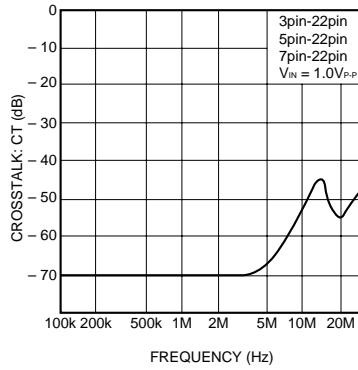


Fig. 14 Crosstalk characteristic (OUT1)

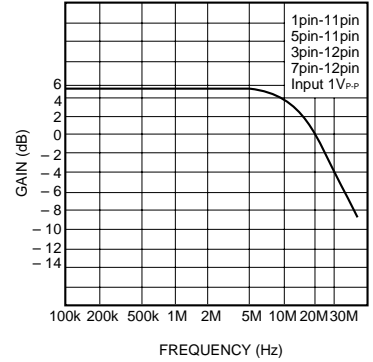


Fig. 15 Frequency characteristic (OUT2 and OUT3)

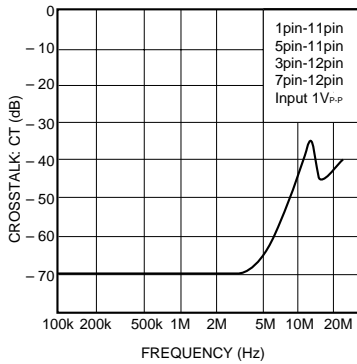
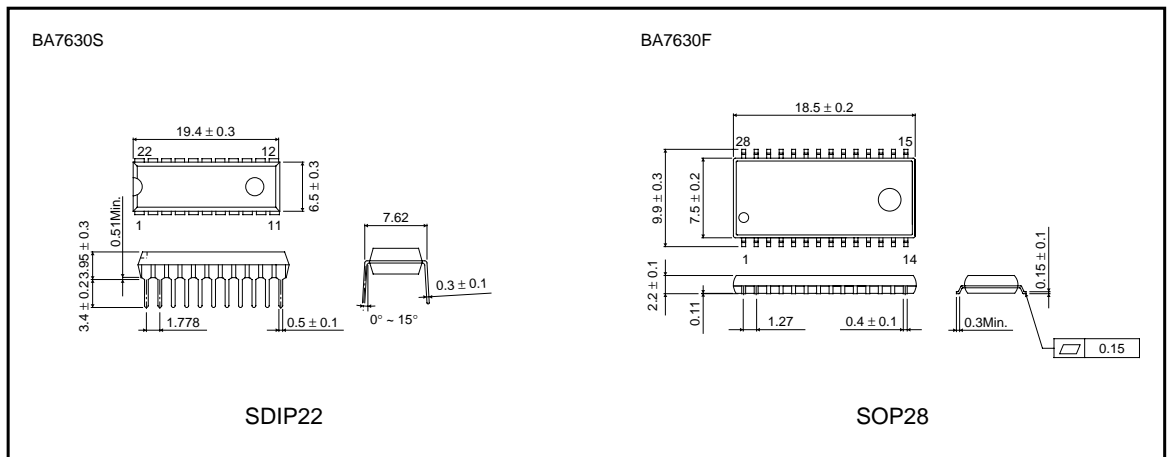


Fig. 16 Crosstalk characteristic (OUT2 and OUT3)

●External dimensions (Units: mm)



Notes

- No technical content pages of this document may be reproduced in any form or transmitted by any means without prior permission of ROHM CO.,LTD.
- The contents described herein are subject to change without notice. The specifications for the product described in this document are for reference only. Upon actual use, therefore, please request that specifications to be separately delivered.
- Application circuit diagrams and circuit constants contained herein are shown as examples of standard use and operation. Please pay careful attention to the peripheral conditions when designing circuits and deciding upon circuit constants in the set.
- Any data, including, but not limited to application circuit diagrams information, described herein are intended only as illustrations of such devices and not as the specifications for such devices. ROHM CO.,LTD. disclaims any warranty that any use of such devices shall be free from infringement of any third party's intellectual property rights or other proprietary rights, and further, assumes no liability of whatsoever nature in the event of any such infringement, or arising from or connected with or related to the use of such devices.
- Upon the sale of any such devices, other than for buyer's right to use such devices itself, resell or otherwise dispose of the same, no express or implied right or license to practice or commercially exploit any intellectual property rights or other proprietary rights owned or controlled by
- ROHM CO., LTD. is granted to any such buyer.
- Products listed in this document use silicon as a basic material.
Products listed in this document are no antiradiation design.

The products listed in this document are designed to be used with ordinary electronic equipment or devices (such as audio visual equipment, office-automation equipment, communications devices, electrical appliances and electronic toys).

Should you intend to use these products with equipment or devices which require an extremely high level of reliability and the malfunction of which would directly endanger human life (such as medical instruments, transportation equipment, aerospace machinery, nuclear-reactor controllers, fuel controllers and other safety devices), please be sure to consult with our sales representative in advance.

About Export Control Order in Japan

Products described herein are the objects of controlled goods in Annex 1 (Item 16) of Export Trade Control Order in Japan.

In case of export from Japan, please confirm if it applies to "objective" criteria or an "informed" (by MITI clause) on the basis of "catch all controls for Non-Proliferation of Weapons of Mass Destruction.