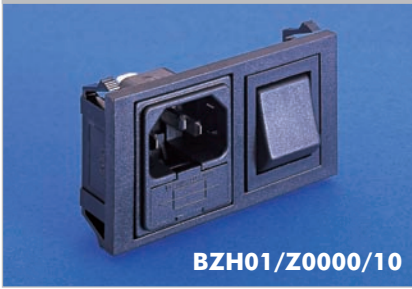
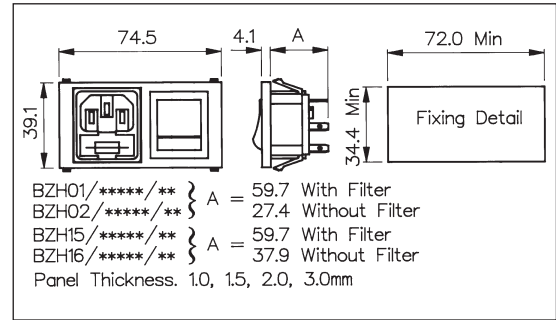


C14 IEC Fused Inlet - Horizontal

HORIZONTAL MODULE ARRANGEMENT



- Fused Inlet with 2.8mm or 6.3mm tags
- Double Pole Switch Variations
- Filtered Inlet Option
- Options of I/O marked switches



How to Order

**BZH xx / xxxxx / xx**

Type of Inlet / Outlet	Filtered or Non Filtered Inlet	Combination of Other Components
Single Fused C14 Power Inlet (cold condition), 2.8 or 6.3mm tabs: <b>01</b> = PF0011/63 <b>02</b> = PF0011/28  Twin Fused C14 Power Inlet (cold condition), 2.8 or 6.3mm tabs: <b>15</b> = PF0033/63 <b>16</b> = PF0033/28	Z0000 = Non Filtered Axxxx = Standard Bxxxx = Medical (Twin Fuse Version only)  <div style="border: 1px solid black; padding: 5px; width: fit-content; margin: 10px auto;">                         For Filtered inlet use 6th to 9th characters from filter ordering code see pages 127-129.                          E.g. BZH01/<b>A0620</b>/10                     </div>	Neon Indicator: <b>03</b> = Red Neon Indicator  Double Pole Switch: <b>10</b> = D.P. Switch  Double Pole Neon Switch: <b>11</b> = D.P. Red Neon Switch <b>12</b> = D.P. Green Neon Switch  Double Pole High Inrush Switch: <b>13</b> = D.P. High Inrush Switch  Double Pole Switch marked I/O: <b>70</b> = D.P. Switch (I/O)  Double Pole Neon Switch Marked (I/O): <b>76</b> = D.P. Red Neon Switch (I/O) <b>77</b> = D.P. Green Neon Switch (I/O)  Double Pole High Inrush Switch Marked (I/O): <b>78</b> = D.P. High Inrush Switch (I/O) <b>B1</b> = D.P. High Inrush Green Neon Switch (I/O)

Note: For technical details of individual components please see page 106

# Mouser Electronics

Authorized Distributor

Click to View Pricing, Inventory, Delivery & Lifecycle Information:

[Bulgin:](#)

[BZH01/Z0000/10](#)