

DISK # C 4  
 DATA CONTAINED IN THIS DOCUMENT IS PROPRIETARY TO TROMPETER ELECTRONICS INC. AND SHALL NOT BE DISCLOSED, COPIED OR USED FOR PROCUREMENT OR MANUFACTURE WITHOUT EXPRESS WRITTEN PERMISSION.

REV		EO	DESCRIPTION	DWN	APPROVED	DATE
V	8594		ADDED -63 CABLE GROUP; DIM .645 & .655 WERE .630 AND .640; DWG NO WAS 1000-0135 AND REDRAWN	DJK	<i>[Signature]</i>	11-3-89

DASH NO	FIG	CABLES ACCOMMODATED	A DIM	B FLATS	C HEX	D DIA MAX	ASSEMBLE PER
-1	1,3	RG-58	.997	.500	.437	.645	TAI-101
-U1		ESSEX 621-715					
-2		RG-59					
-U2							
-2A		BELDEN 8279					
-U2A							
-2B		W.E.CO. 730A					
-U2B							
-3		RG-223					
-U3							
-3A		RG-55					
-U3A							
-4		RG-122					
-U4		BELDEN 8218					
-5		RG-174					
-U5		RG-187					
-5A		RG-196					
-U5A							
-5B	HEWLETT-PACKARD 8120-1107						
-U5B							
-6	1	BELDEN 9231	1.030	.562	.500	.655	TAI-101
-U6		RG-5					
-U6E		RG-6					
-21	1,3	RG-303	.997	.500	.437	.645	TAI-130
-U21							
-22		RG-180					
-U22							
-31		GRUMMAN 6C875GP1					
-U31		RG-187 DBL SHLD					
-34		BELDEN 8228					
-U34							
-36		275-3991 MICRODOT					
-U36		616-569 AMPEX					
-37							
-U37		810 RAYCHEM					
-41		RG-304					
-U41		9248 BELDEN					
-44		BRAND-REX B749					
-U44	GORE COGCO32						
-51	1	88281 BELDEN	1.030	.562	.500	.655	TAI-130
-U51		89120 BELDEN					
-52							
-U52							
-53	1,3	89555 BELDEN	.997	.500	.437	.645	TAI-130
-U53							
-63		734A.AT&T					
-U63							
-086	2	RG-405	.997	.500	.437	.645	TAI-130
-U086							
-141		RG-402					
-U141							

RED INDICATES ORIGINAL

FIG 1  $\Delta$   
- 1 SHOWN

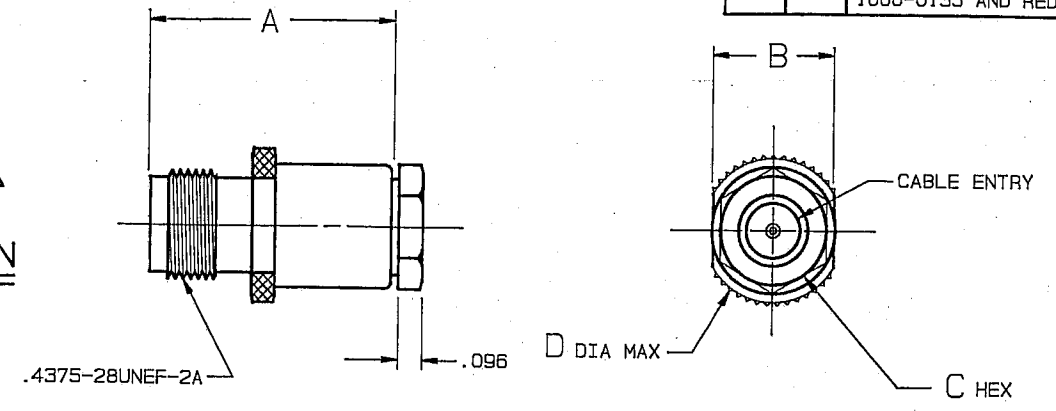


FIG 2  
- 086 SHOWN

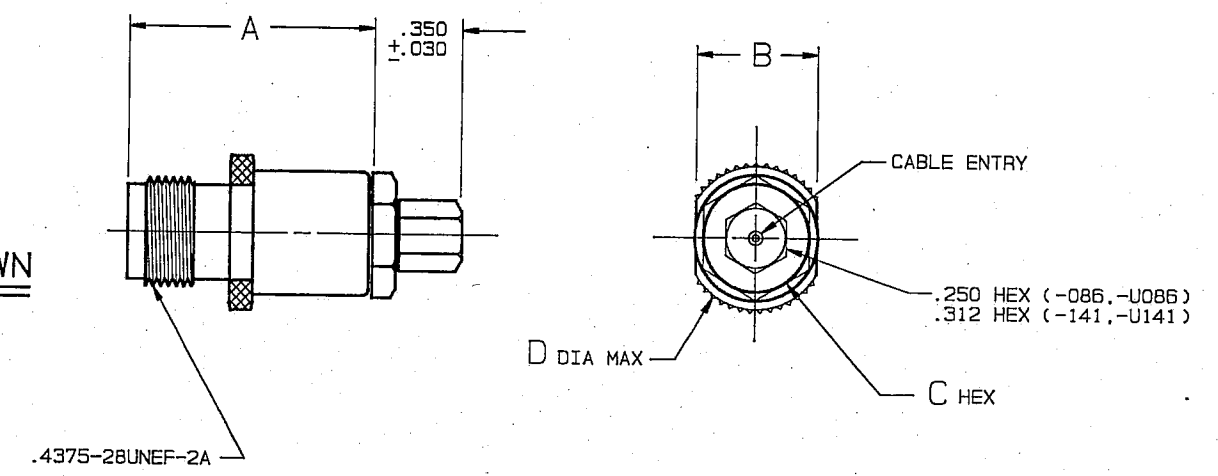
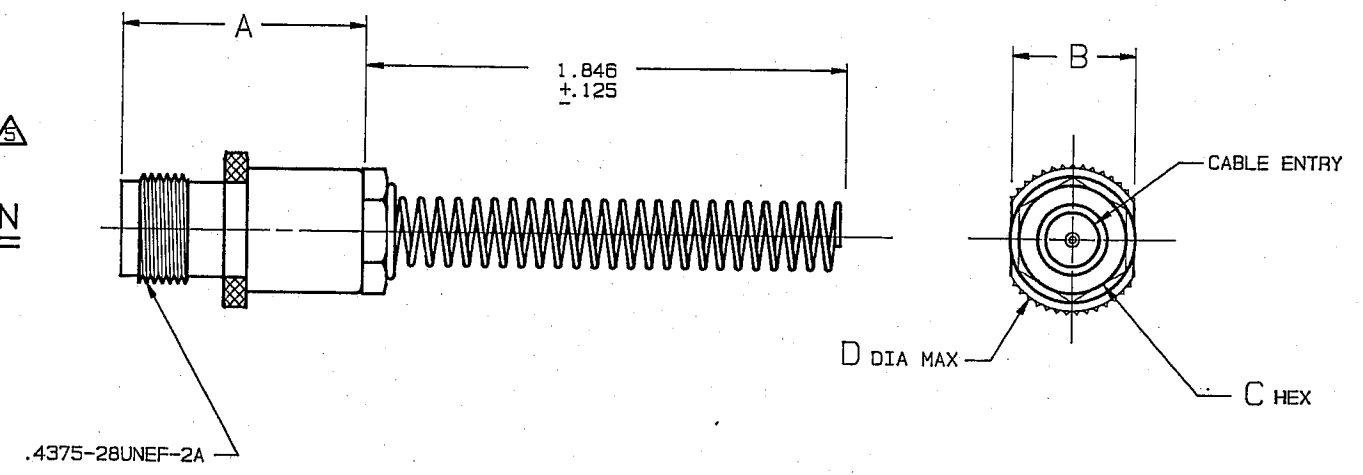


FIG 3  $\Delta$   
- 1 SHOWN



$\Delta$  IF BEND RELIEF SPRING REQUIRED ADD SUFFIX "BR" TO MODEL NO. (SEE FIG 3) (NOT AVAILABLE WITH CABLE GROUPS -6, -U6, -6E, -U6E, -51, -U51, -52, -U52, -63, -U63, -086, -U086, -141 & -U141)

4. DASH NO DENOTES CABLE GROUP EXCEPT "U" PREFIX DENOTES 75 OHM VERSION
3. FEMALE TYPE TNC COAXIAL CABLE PLUG, BOTH 50 & 75 OHM VERSIONS
2. FINISH: TFS-1A (NICKEL)
1. ALL DIM ARE IN INCHES

INCH	MM
.005	0.13
.030	0.76
.096	2.44
.125	3.18
.250	6.35
.312	7.92
.350	8.89
.437	11.10
.500	12.70
.562	14.27
.645	16.38
.655	16.64
.997	25.32
1.030	26.16
1.846	46.89

TOL UNLESS SPECIFIED		DESCRIPTION		PART NUMBER		ITEM
205-0001	.XX ±	TROMPETER ELECTRONICS, INC.		CJ40/UCJ40		
105-1016	.XXX ±.005			CJ40BR/UCJ40BR		
1-0217	ANGLES ±	DWN	DJK	9/15/89	MATERIAL	CODE IDENT
1-0205	CHK	<i>[Signature]</i>	<i>[Signature]</i>	10/24/89	14949	DRAWING NO.
1-0203	ENGR	<i>[Signature]</i>	<i>[Signature]</i>	10/31/89	1-0135	REV
NEXT ASSY	APPR	<i>[Signature]</i>	<i>[Signature]</i>	11-3-89	SCALE 2/1	DATE 1/17/86
				SHEET 1 OF 2		