

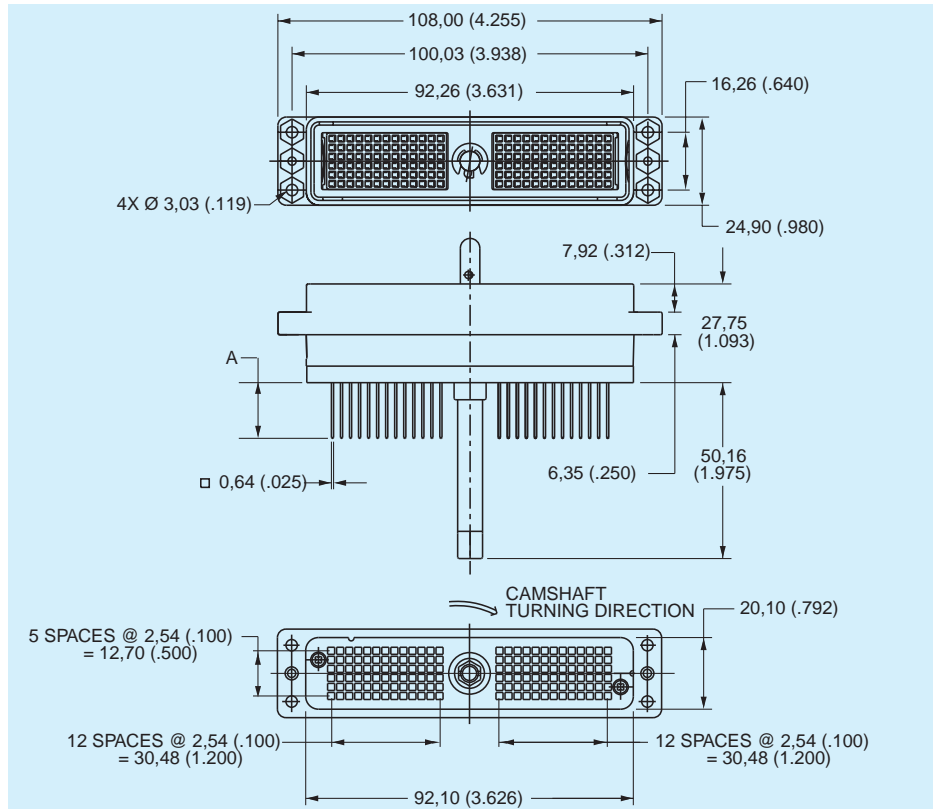
DL1 — Plastic Body — 156 Pin Connectors — Square Post Contacts

Plug



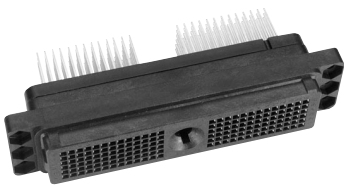
- For contact cavity arrangement, see page 68.
- For panel cutout and mounting hole pattern, see page 65.
- For PC hole pattern, see page 60.
- Front Removable 0,64 (.025) Square Posts 2,54 (.100) Centers.
- Order actuating handle kit separately, see page 47.

Part Number	Nomenclature	A
110535-0012	DL1-156PW4	15,37 (.605)
110535-0025	DL1-156PW4A	15,37 (.605)
110535-0026	DL1-156PW6	7,11 (.280)
110535-0030	DL1-156PW6A	7,11 (.280)
110535-0040	DL110535-40	3,18 (.125)



DL1, DL1M1, DL1T

Receptacle



- For contact cavity arrangement, see page 68.
- For panel cutout and mounting hole pattern, see page 65.
- For PC hole pattern, see page 60.
- Front Removable 0,64 (.025) Square Posts 2,54 (.100) Centers.

Part Number	Nomenclature	A
110536-1003	DL1-156RW4	15,37 (.605)
110536-1006	DL1-156RW4B	15,37 (.605)
110536-1009	DL1-156RW6	7,11 (.280)
110536-1007	DL1-156RW6B	7,11 (.280)
110536-1011	DL110536-1011	3,18 (.125)

