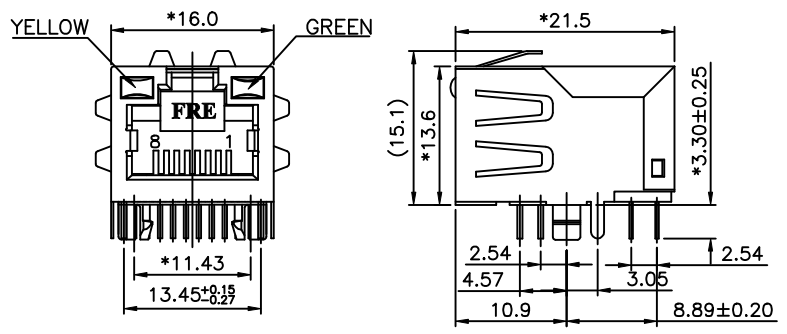
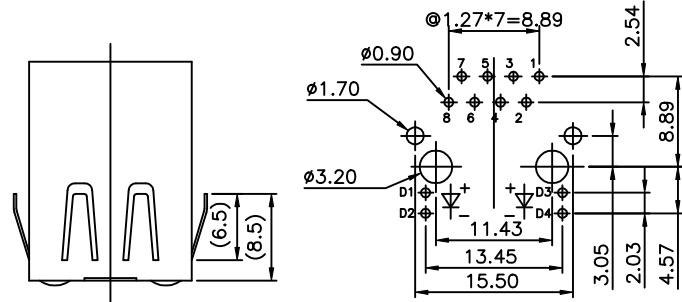
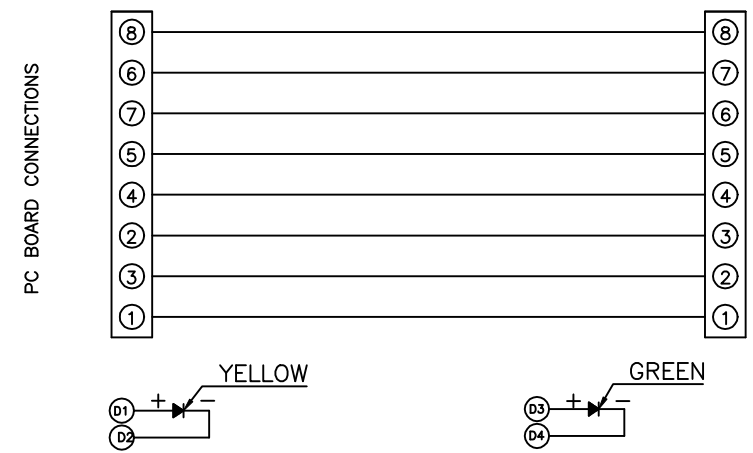


REVISION RECORD				
REV	ECO	DESCRIPTION	DRFT	CHKD



Schematic:



NOTES:

ELECTRICAL:

- VOLTAGE RATING : 125 VAC RMS.
- CURRENT RATING : 1.5 AMP.
- CONTACT RESISTANCE : 50 MILLIOHMS MAX.
- INSULATION RESISTANCE: 1000 MEGOHMS MIN @ 500 VDC.
- DIELECTRIC STRENGTH : 1000 VDC RMS 60Hz.

Mechanical:

- Housing Material : FR52 UL94V-0
- Housing Color : BLACK
- Insert Material : FR50 UL94V-0
- Insert Color : BLACK
- Contact Mateial : Phosphor Bronze t=0.35mm.
- Plating : GOLD PLATING OVER NICKEL
- Operating Life : 750 Cycles Min.
- Pcb Retention Pre-Solder : 1 Lb Min.
- Pcb Retention Post-Solder : 10 Lbs Min.
- Shielded Material : 0.25mm Thickness Brass(C2680 H) Shield Plated Nickel 50u"

Environmental:

- Storage : -40°C To+85°C.
- Operation : 0°C To+70°C.
- Wave Soldering Temperature: 255~265°C (5~10 SECONDS)

Mates With Modular Plug Conforming To

Fcc Part 68, Subpart F.

ROHS Part Number: E5J88-XXL87X-L

SHIELD: _____ GOLD Plating:
 11-W/O TABS 1-3u" 2-6u" 3-15u"
 12-W/ TOP TABS 4-30u" 5-50u"
 1C-W/ TOP&SIDE TABS

DETACHED LISTS	← MM (INCH) →		DFTO JAMMIN	DATE 12/23/05	FULL RISE ELECTRONIC CO., LTD	
	TOLERANCES EXCEPT AS NOTED		CHKD ASHLEY	DATE 2005/12/24		
	MM	±	MFO	DATE	TITLE LATCH UP 1*1 JACK	
	.0 ±0.20	±	APPROV LUSHENG	DATE 2005/12/24		
	.00 ±0.15	±	MATERIAL :		DRAWING NO. GE5J3233-LB	
.000 ±0.075	±	ANGLES ±		SIZE A3		
THIRD ANGLE PROJECTION		FINISH :		/PART NO. SEE NOTE		12/23/05
SCALE : 2:1		DO NOT SCALE DRAWING		SHEET 1 OF 1		