

## SPECIFICATIONS

### Mechanical

**Mating Force:** 3.0kg ( 6.6Lb ) min.  
**Unmating Force:** 0.3kg (0.66Lb ) min.  
**Durability :** 5000 Cycles

### Electrical

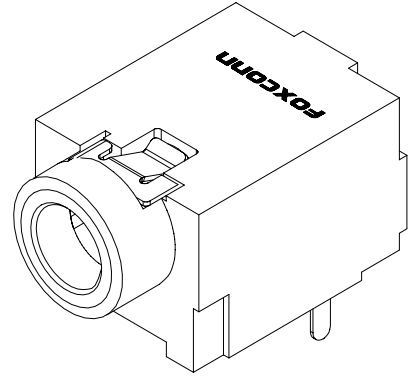
**Voltage Rating:** 150V max.  
**Current Rating:** 1A max.  
**Contact Resistance:** 50mΩ max.  
**Dielectric Withstanding Voltage:** 500V  
**Insulation Resistance:** 100MΩ

### Physical

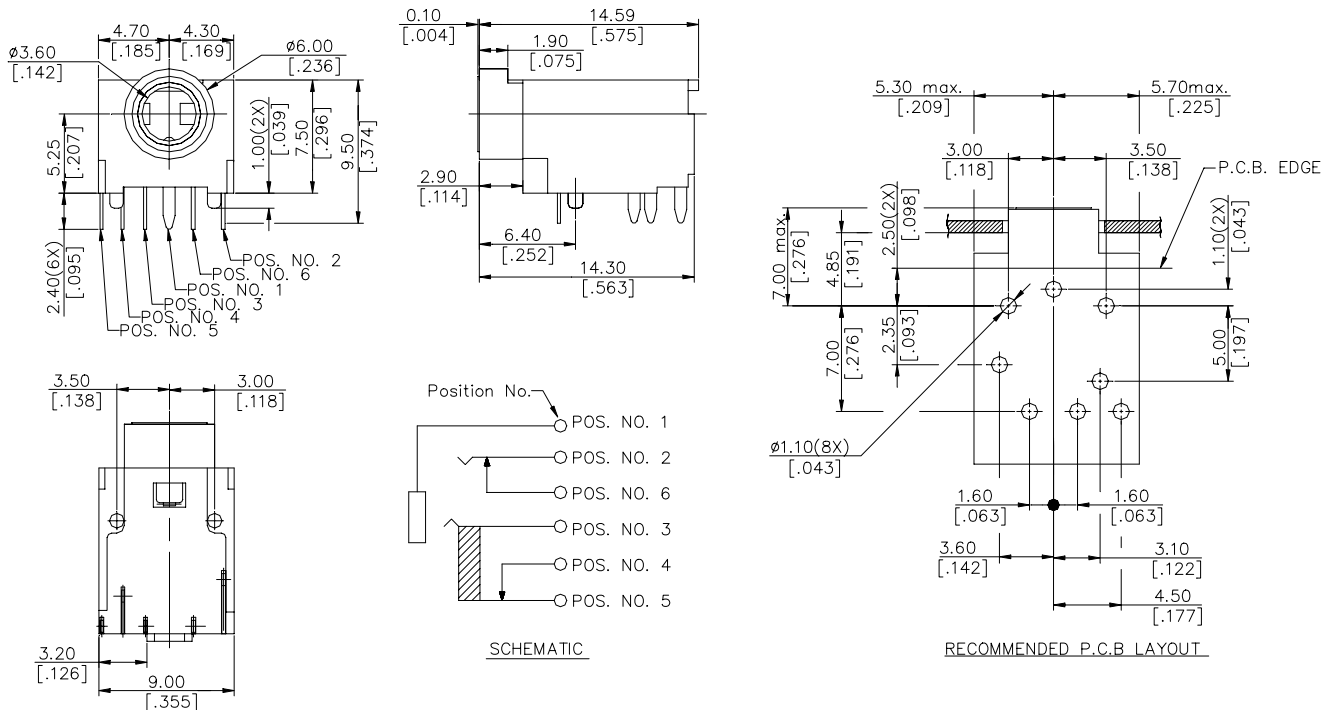
**Housing:** Thermoplastic, UL 94V-0  
**Contact:** Copper alloy  
**Plating:** See "ORDERING INFORMATION"  
**Metal Spring:** Copper alloy  
**Operating Temperature:** -40 to +85

## AUDIO JACK Connector

**JA Series**  
**T/H Type**  
**3 Bands**  
**Plug  $\varnothing$ 3.5mm**  
**6 Pos.**



## DRAWING



## ORDERING INFORMATION

**PRODUCT NO.:** JA9033L-W\*101-TR

Series Prefix ———— J=Jack  
 Conn. Series ———— A=Audio Jack  
 Body&Termination Type ———— 9=Single Port, Special Body High  
 Sleeve Style ———— 0=W/ Bushing  
 Plug Type ———— 3=3 Band  
 Plug Diameter ———— 3=3.50 (0.141")  
 Contact Area Plating ———— L=Pd/Ni + Gold Flash  
 W=High temperature Plastic

Packing Code ———— TR=Tape Reel  
 Tail Length ———— 1=2.40mm  
 W/O Shell  
 Schematic  
 Color ———— B=Light Blue  
 L=Lime  
 P=Pink

PINK 701C	JA9033L-WP101-TR
LIME 577C	JA9033L-WL101-TR
LIGHT BLUE 284C	JA9033L-WB101-TR
COLOR	P/N