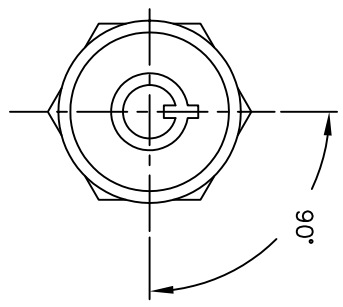
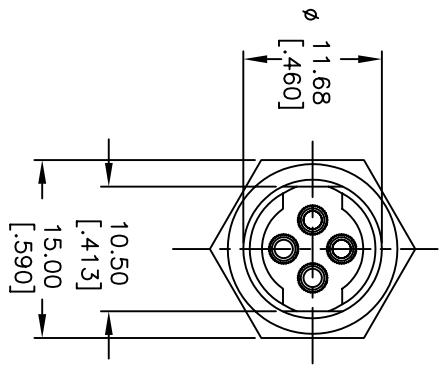
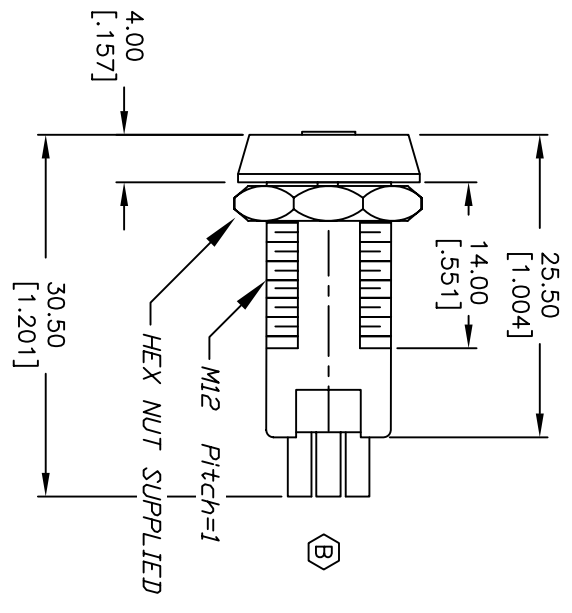


PDS 1

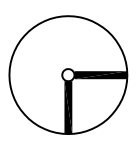


PDS 2



- NOTES:
1. ALL DIMENSIONS IN MM [INCH]
  2. GENERAL TOLERANCE: X.X=±0.4  
X.XX=±0.25
  3. TERM. NOS. FOR REFERENCE ONLY.
  4. RATING: 1A @125VAC, 0.5A @250VAC
  5. CONTACT RESISTANCE: 10mILLI-OHMS
  6. DIELECTRIC STRENGTH: 1000 VAC-1Minute
  7. INSULATION RESISTANCE: 200 Mega-OHMS min.
  8. MATERIALS:

HOUSING: ZINC ALLOY DIE CAST  
 CYLINDER: ZINC ALLOY W/CHROME PLATING  
 TERMINAL AND CONTACTS: SILVER PLATED  
 KEYS (2) KEY CODE 801: TUBULAR  
 ZINC ALLOY, CHROME PLATING



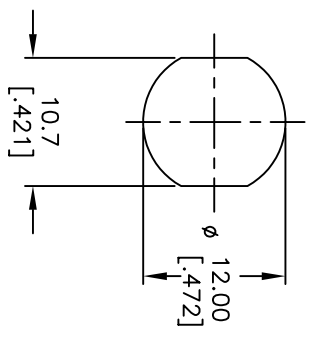
CIRCUIT: SPDT  
 CONTACT CONFIGURATION

SWITCH FUNCTION	DN	DN
↙		
PDS 1	→	
1-2		→
PDS 2		→
3-4		→

LEGEND

- =INDICATES KEY PULL
- X =INDICATES NO KEY PULL
- O =OFF POSITION

RECOMMENDED PANEL CUTOUT



**E-SWITCH®**

REV.	ECN No.	DESCRIPTION	DATE	CHKD	PH
A	15498	RELEASED FOR PRODUCTION	11/4/05		

SCALE	DATE	DR	DWG	REV
1.5:1	11/4/05	PH	K100207	A

THE INFORMATION CONTAINED IN THIS DOCUMENT IS PROPRIETARY TO E-SWITCH AND IS NOT TO BE COPIED OR TRANSFERRED

K0103C-801