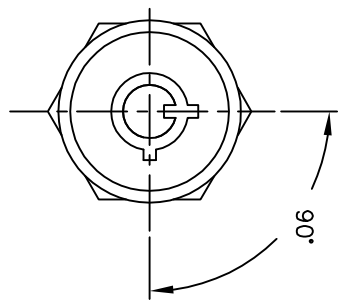
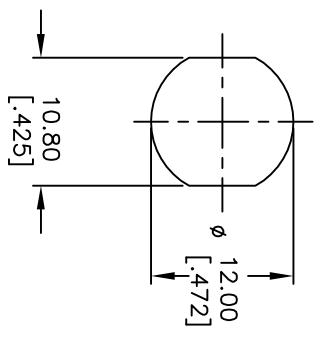
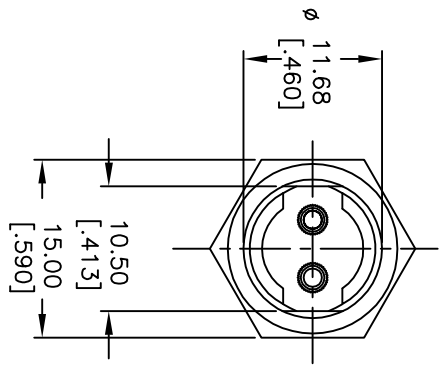
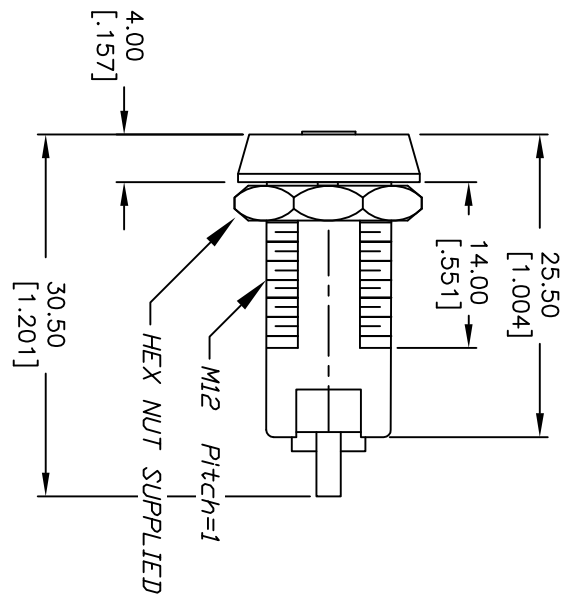


PDS 1



PDS 2



RECOMMENDED PANEL CUTOUT

NOTES:

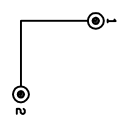
1. ALL DIMENSIONS IN MM [INCH]
2. GENERAL TOLERANCE: X.X=±0.4
X.XX=±0.25
3. TERM. NOS. FOR REFERENCE ONLY.
4. RATING: 1A @125VAC, 0.5A @250VAC
5. CONTACT RESISTANCE: 10mILLI-OHMS
6. DIELECTRIC STRENGTH: 1000 VAC-1Minute
7. INSULATION RESISTANCE: 200 Mega-OHMS min.
8. ▲ DENOTES CRITICAL PARAMETER
9. 2002/95/EC (ROHS) COMPLIANT
10. MATERIALS:
HOUSING: ZINC ALLOY DIE CAST
CYLINDER: ZINC ALLOY W/CHROME PLATING
TERMINAL AND CONTACTS: SILVER PLATED
KEYS (2) KEY CODE 701: TUBULAR
ZINC ALLOY, CHROME PLATING

LEGEND

- =DENTENT POSITION
- ⊙=KEYPULL POSSIBLE
- ▼=MOMENTARY

CIRCUIT: SPST
CONTACT CONFIGURATION

SWITCH FUNCTION	PDS 1	PDS 2
	←	→
DFP		1-2



REV.	ECN NO.	DESCRIPTION	DATE	CHKD
A	17777	RELEASED FOR PRODUCTION	10/17/07	BF

THE INFORMATION CONTAINED IN THIS DOCUMENT IS PROPRIETARY TO E-SWITCH AND IS NOT TO BE COPIED OR TRANSFERRED

TITLE	K0103B701		
SCALE	1.5:1	DATE	10/17/07
DR	BF	DWG	K100208
REV	A		

