

Service  
Service  
Service



# Service Manual

Horizontal Frequency  
30kHz –80kHz

## TABLE OF CONTENTS

Description	Page	Description	Page
Table Of Contents.....	1	6. Schematic.....	17
Revision List.....	2	6.1 Main Board.....	17
Important Safety Notice.....	3	6.2 Inverter Board.....	22
1. Monitor Specification.....	4	6.3 Adapter Board.....	23
2. LCD Monitor Description.....	5	6.4 Audio Board.....	24
3. Operation Instruction.....	6	7. PCB Layout.....	25
3.1 General Instructions.....	6	7.1 Main Board.....	25
3.2 Control Button.....	6	7.2 PWPC Board.....	26
3.3 Adjusting the Picture.....	7	7.3 Audio Board.....	27
4. Input/Output Specification.....	8	7.4 Key Board.....	28
4.1 Input Signal Connector.....	8	8. Maintainability.....	28
4.2 Factory Preset Display Modes.....	9	8.1 Equipments and Tools Requirement.....	28
4.3 Power Supply.....	10	8.2 Trouble Shooting.....	29
4.4 Panel Specification.....	10	9. White-Balance, Luminance adjustment.....	34
5. Block Diagram.....	13	10. Monitor Exploded View.....	36
5.1 Soft Flow Chart.....	13	11. BOM List.....	37
5.2 Electrical Block Diagram.....	15		

### SAFETY NOTICE

ANY PERSON ATTEMPTING TO SERVICE THIS CHASSIS MUST FAMILIARIZE HIMSELF WITH THE CHASSIS AND BE AWARE OF THE NECESSARY SAFETY PRECAUTIONS TO BE USED WHEN SERVICING ELECTRONIC EQUIPMENT CONTAINING HIGH VOLTAGES.

CAUTION: USE A SEPARATE ISOLATION TRANSFORMER FOR THIS UNIT WHEN SERVICING



Proper service and repair is important to the safe, reliable operation of all AOC Company Equipment. The service procedures recommended by AOC and described in this service manual are effective methods of performing service operations. Some of these service operations require the use of tools specially designed for the purpose. The special tools should be used when and as recommended.

It is important to note that this manual contains various CAUTIONS and NOTICES which should be carefully read in order to minimize the risk of personal injury to service personnel. The possibility exists that improper service methods may damage the equipment. It is also important to understand that these CAUTIONS and NOTICES ARE NOT EXHAUSTIVE. AOC could not possibly know, evaluate and advise the service trade of all conceivable ways in which service might be done or of the possible hazardous consequences of each way. Consequently, AOC has not undertaken any such broad evaluation. Accordingly, a servicer who uses a service procedure or tool which is not recommended by AOC must first satisfy himself thoroughly that neither his safety nor the safe operation of the equipment will be jeopardized by the service method selected.

Hereafter throughout this manual, AOC Company will be referred to as AOC.

### **WARNING**

Use of substitute replacement parts, which do not have the same, specified safety characteristics may create shock, fire, or other hazards.

Under no circumstances should the original design be modified or altered without written permission from AOC. AOC assumes no liability, express or implied, arising out of any unauthorized modification of design. Servicer assumes all liability.

### **FOR PRODUCTS CONTAINING LASER:**

**DANGER**-Invisible laser radiation when open **AVOID DIRECT EXPOSURE TO BEAM.**

**CAUTION**-Use of controls or adjustments or performance of procedures other than those specified herein may result in hazardous radiation exposure.

**CAUTION** -The use of optical instruments with this product will increase eye hazard.

**TO ENSURE THE CONTINUED RELIABILITY OF THIS PRODUCT, USE ONLY ORIGINAL MANUFACTURER'S REPLACEMENT PARTS, WHICH ARE LISTED WITH THEIR PART NUMBERS IN THE PARTS LIST SECTION OF THIS SERVICE MANUAL.**

Take care during handling the LCD module with backlight unit

- Must mount the module using mounting holes arranged in four corners.
- Do not press on the panel, edge of the frame strongly or electric shock as this will result in damage to the screen.
- Do not scratch or press on the panel with any sharp objects, such as pencil or pen as this may result in damage to the panel.
- Protect the module from the ESD as it may damage the electronic circuit (C-MOS).
- Make certain that treatment person's body is grounded through wristband.
- Do not leave the module in high temperature and in areas of high humidity for a long time.
- Avoid contact with water as it may a short circuit within the module.
- If the surface of panel becomes dirty, please wipe it off with a soft material. (Cleaning with a dirty or rough cloth may damage the panel.)

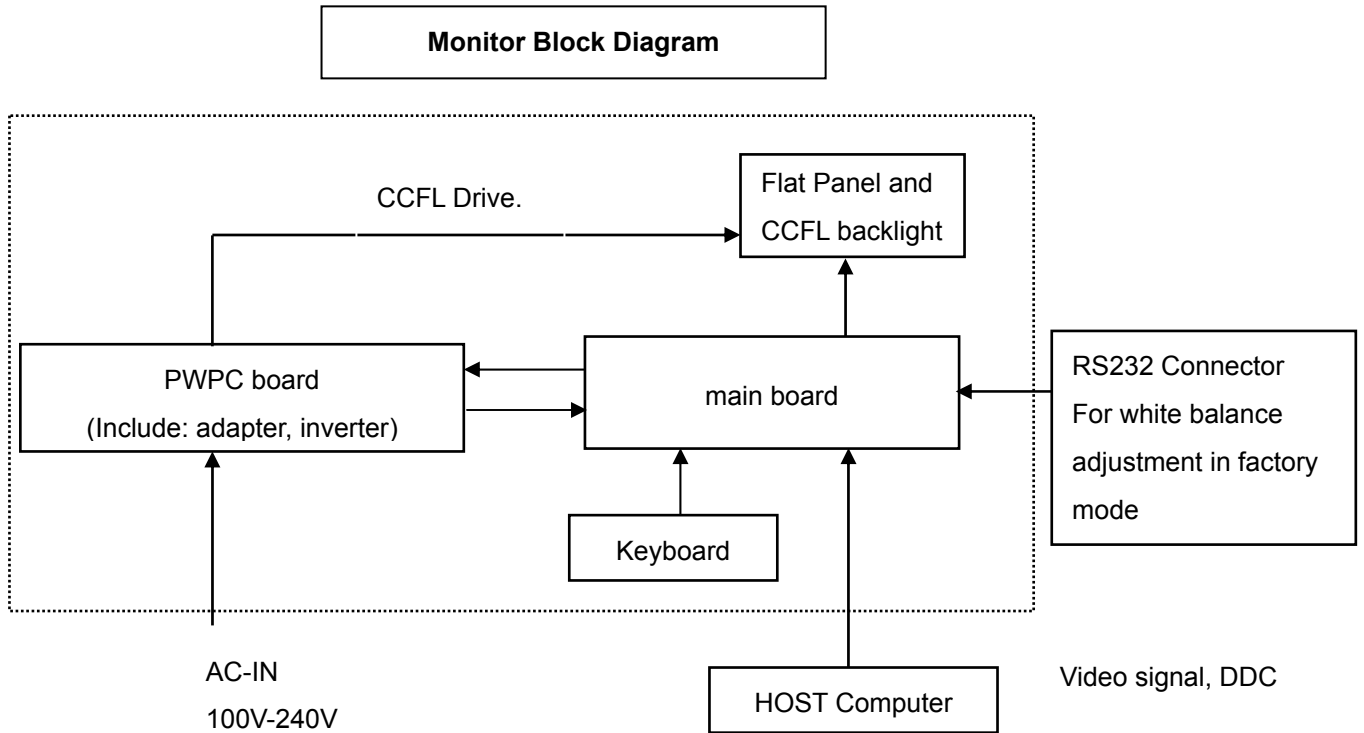
**1. Monitor Specifications**

Items	Descriptions	
LCD Panel	Driving system	TFT Color LCD
	Type	CPT CLAA150XP01Q
	Size	38cm(15.0")
	Pixel pitch	0.297mm(H) x 0.297mm(V)
	Viewable angle	140° (H) 125° (V)
	Response time (type)	8 ms for CPT panel
Input	Video	R, G, B Analog input Digital input
	Sync. Type	H/V TTL
	H-Frequency	24.8kHz – 80kHz
	V-Frequency	56-75Hz
Power Consumption	ON Mode	≤27W
	OFF Mode	≤1W
Contrast Ratio	500:1	
Dot Clock	135MHz	
White Luminance	250cd/m <sup>2</sup>	
Max. Resolution	1024 × 768 @75Hz	
Power Consumption (Maximum)	27 Watts	
Display Color	16 M (6-bits+FRC)	
Plug & Play	VESA DDC2B™	
Input Connector	15-pin D-Sub	
Maximum Screen Size	Horizontal: 304.1mm;Vertical: 228.1mm	
Power Source	100~240VAC,47~63Hz	
Environmental Considerations	Operating Temp: 5°C to 35°C Storage Temp: -20°C to 60°C Operating Humidity: 10% to 85%	

### 2. LCD Monitor Description

The LCD MONITOR will contain a main board, a power board and a keypad board which house the flat panel control logic, brightness control logic and DDC.

The power board will provide AC to DC Inverter voltage to drive the backlight of panel and the main board chips each voltage.



### 3. Operating Instructions

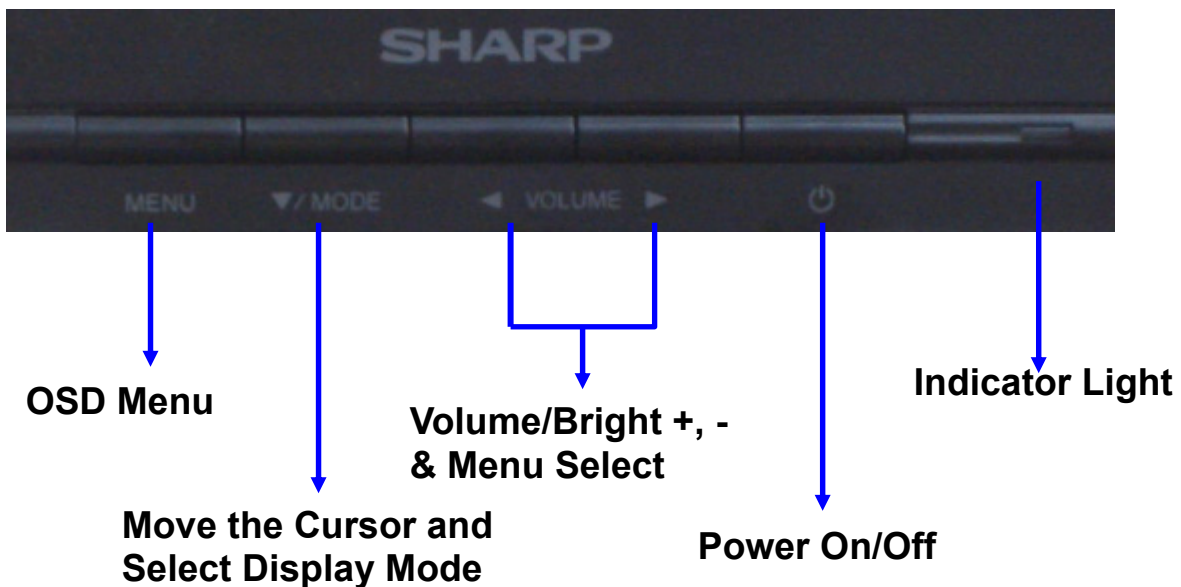
#### 3.1 General Instructions

Press the power button to turn the monitor on or off. The other control buttons are located at front panel of the monitor. By changing these settings, the picture can be adjusted to your personal preferences.

- The power cord should be connected.
- Connect the video cable from the monitor to the video card.
- Press the power button to turn on the monitor position. The power indicator will light up.

#### 3.2 Control Buttons

- **Power Button:**  
When pressed, the monitor enters the off mode, and the LED turns blank. Press again to restore normal status.
- **Left / Right Button:**  
The Left/Right Button is used to control the monitor functions. Press to switch functions or adjust settings.
- **▼/MODE:**  
The ▼/MODE Key is used to move the cursor and select display mode.
- **Power Indicator:**  
Green — Power On mode.  
Red — Power Saving mode.  
Blank —Power Off Mode.  
LED = GREEN, BLINKING (0.5s period) —Out of Range

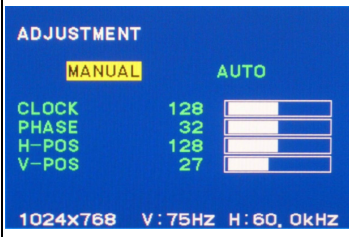


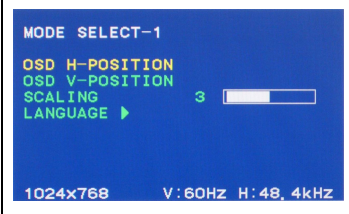



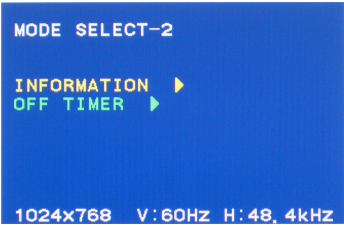
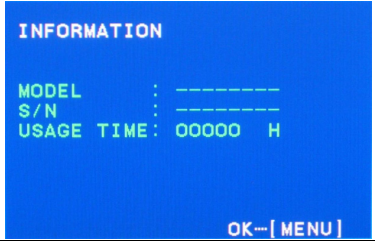

NO.	Name	Within OSD	Without OSD
1	MENU	An adjustment menu display, a change, elimination	Activate OSD main menu
2	▼/MODE	Move the cursor to down	Select display mode to STD or OFFICE or sRGB or VIVID.
3	<	1.Move the cursor to left 2. Decrease the value of the selected item	Activate the volume and the bright menu
4	>	1.Move the cursor to right 2.Increase the value of the selected item	Activate the volume and the brightness menu
5	POWER	Power On / Off	Power On / Off
6	Indicator Light	Green—On Red—Save	Green—On Red—Save

### 3.3 Adjusting the Picture

1. Press the MENU-button to activate the OSD window.
2. Press < or > to select the desired function.
3. Press the ▼ / MODE -button to select the function that you want to adjust.
4. Press < or > to change the settings of the current function.
5. To exit and save, select the exit function, or leave the monitor alone for 10 seconds. If you want to adjust any other function, repeat steps 2-4.

#### CONTROL FUNCTION

Main Menu	Sub Main Menu	Description	
	Clock	Adjust picture Clock to reduce Vertical-Line noise.	
	Phase	Adjust Picture Phase to reduce Horizontal-Line noise.	
	H. Position	Adjust the horizontal position of the picture.	
	V. Position	Adjust the vertical position of the picture.	
	Black Level	Adjust the black level of the picture.	
	Contrast	Contrast from Digital-register.	
		Cool	Recall cool Color Temperature from EEPROM.
STD		Recall standard Color Temperature from EEPROM.	
Warm		Recall warm Color Temperature from EEPROM.	
User		Adjust the value of the Red/Green/Blue user color temperature.	
	OSD H-Position	Adjust the horizontal position of the OSD.	
	OSD V-Position	Adjust the vertical position of the OSD.	
	Scaling	Adjust the sharpness of the pictures.	
		English	Set OSD display language to English.
		Español	Set OSD display language to Spanish.
		Français	Set OSD display language to French.
		中文	Set OSD display language to Chinese.
		日本語	Set OSD display language to Japanese.

		Information	Show the model, the S/N and the Usage time.
		Off	The off timer is off
		On	The off timer is on

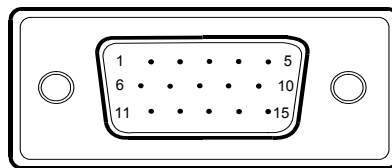
4. Input/Output Specification

4.1 Input Signal Connector

D-SUB connector

Pin No.	Description	Pin No.	Description
1.	Red Video	9.	+5V Supply
2.	Green Video	10.	GND
3.	Blue Video	11.	NC
4.	NC	12.	DDC-Serial Data
5.	GND	13.	H-Sync
6.	Red Ground	14.	V-Sync
7.	Green Ground	15.	DDC-Serial Clock
8.	Blue ground		

Analog Connector





**4.2 Factory Preset Display Modes**

Correspondence display mode		Horizontal frequency	Vertical frequency	Dot frequency	Analog
VESA IBM AT Compatible machine PC-9800series	640*480	31.5kHz	60.0Hz	25.175MHz	Yes
		37.9kHz	72.0Hz	31.5MHz	Yes
		37.5kHz	75.0Hz	31.5MHz	Yes
	800*600	35.1kHz	56.0Hz	36.0MHz	Yes
		37.9kHz	60.0Hz	40.0MHz	Yes
		48.1kHz	72.0Hz	50.0MHz	Yes
		46.9kHz	75.0Hz	49.5MHz	Yes
	1,024*768	48.4kHz	60.0Hz	65.0MHz	Yes
		56.5kHz	70.0Hz	75.0MHz	Yes
		60.0kHz	75.0Hz	78.75MHz	Yes
PC-9800series	640*400	24.8kHz	56.4Hz	21.053MHz	Yes
		31.5kHz	70.0Hz	25.175MHz	Yes
US TEXT	720*400	31.5kHz	70.0Hz	28.3MHz	Yes
Power Macintosh Series	640*480	35.0kHz	66.7Hz	30.2MHz	Yes
	832*624	49.7kHz	74.6Hz	57.3MHz	Yes
	1,024*768	60.2kHz	75.0Hz	80.0MHz	Yes

**4.3 Power Supply**

The power supply should be integrated to the monitor housing.

A/C Line voltage range	: 100 V ~ 240 V
A/C Line frequency range	: 50 ± 3Hz, 60 ± 3Hz
Current	: 1.5A max at 100V; 0.8A max at 240 V
Peak surge current	: < 55A peak at 240 VAC and cold starting
Leakage current	: < 3.5mA
Power line surge	: No advance effects (no loss of information or defect) With a maximum of 1 half-wave missing per second
DC output Voltage	: 5VDC ± 5%; 12VDC± 5%
Current	1.5Amp (5V) ; 2 Amp (12V)

**4.4 Panel Specification****4.4.1 Display Characteristics**

ITEM	SPECIFICATION
Display Area (mm)	304.1(H)x228.1(V) (15.0-inch diagonal)
Number of Pixels	1024(H) ×768(V)
Pixel Pitch (mm)	0.297(H) ×0.297(V)
Color Pixel Arrangement	RGB vertical stripe
Display Mode	Normally White, TN
Number of Colors	16.2M (6bits+FRC)
Optimum Viewing Angle	6 o' clock
Brightness (cd/m <sup>2</sup> )	250cd/m <sup>2</sup> (Typ.)(center, 8.0mA)
Viewing Angle	140/125 (Typ.)
Response time	8ms
Surface Treatment, Haze	Anti-glare
Color Saturation	65%
Module Size (mm)	326.5(W) ×253.5(H) ×11.0(D) (Typ.)
Power consumption	11.7 Watt (Typ)
Module Weight (g)	1070 (Typ.)
Backlight Unit	CCFL, 2 tubes (top ×1/bottom ×1), Edge light

4.4.2 Optical Characteristics

ITEM	SYMBOL	CONDITION	MIN.	TYP.	MAX.	UNIT	REMARK
Contrast (CEN)	CR	$\theta = \psi = 0^\circ$	450	500	--	--	*1)
Luminance (CEN)	L	$\theta = \psi = 0^\circ$	200	250	--	cd/m <sup>2</sup>	*2)
9P Luminance (AVG.)	L	$\theta = \psi = 0^\circ$	180	225	--	cd/m <sup>2</sup>	*2)
9P Uniformity (9P)	$\Delta L$	$\theta = \psi = 0^\circ$	75	80	--	%	*2)
Response Time	Tr	$\theta = \psi = 0^\circ$	--	2	4	ms	*4)
	Tf	$\theta = \psi = 0^\circ$	--	6	10	ms	
Image sticking	Tis	4 hours	--	--	3	s	*5)
Cross talk	CMR	$\theta = \psi = 0^\circ$	--	--	1	%	*6)
View angle	Horizontal	$\psi$	$CR \geq 5$	150	170	--	Deg.
	Vertical	$\theta$		150	170	--	Deg.
	Horizontal	$\psi$	$CR \geq 10$	120	140	--	Deg.
	Vertical	$\theta$		105	125	--	Deg.
Color Coordinates	White	X	$\theta = \psi = 0^\circ$	0.283	0.313	0.343	--
		Y		0.299	0.329	0.359	
	Red	X		0.613	0.643	0.673	
		Y		0.305	0.335	0.365	
Green	X	0.270		0.300	0.330		
	Y	0.555		0.585	0.615		
Blue	X	0.113		0.143	0.173		
	Y	0.049		0.079	0.109		
Color Temperature	K	--	--	6500	--	K	--
Gamma	?	VESA	2.0	2.2	2.4	--	*7)

4.4.3 Electrical Characteristics

TFT LCD Module

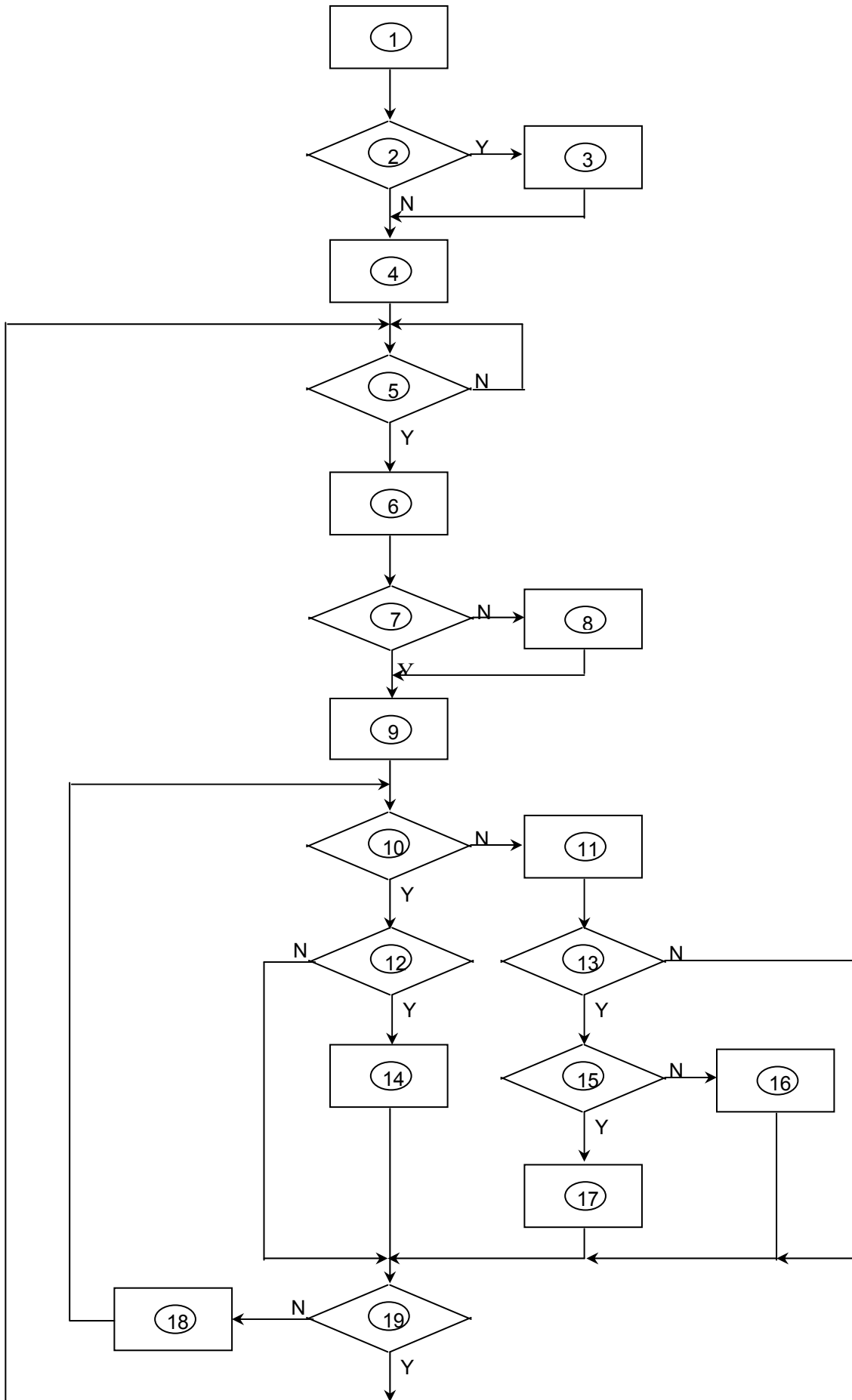
ITEM	SYMBOL	MIN.	MAX.	UNIT	Remark
Power Supply Voltage For LCD	VCC	--	4.0	V	--
IDDD Rush Current	IRUSHd	--	4.0	A	*1)
Lamp Voltage	VL	530	785	Vrms	*2)
Lamp Current	IL	3	8.5	mAms	*2)
Lamp Frequency	FL	40	80	kHz	*2) *3)
Operation Temperature (Surrounding)	Top	0	50	°C	*4). 5). 6). 7) 9)
Storage Temperature	Tstg	-20	60	°C	*4). 5). 6) 9)
Delayed Discharge Time	TD	--	1	sec	*8)

## Back- Light Unit

ITEM	SYMBOL	MIN	TYP	MAX	UNIT	REMARK
Lamp Voltage	VL	540	600	660	Vrms	*2) ; IL=8.0mA
Lamp Operation range	IL	3.0	8.0	8.5	mAms	*1)
Lamp Standard Current	IL	7.5	8.0	8.5	mAms	*2)
Inverter Frequency	FI	40	—	60	kHz	*2) *4) *5)
Start up Lamp Voltage	VS	1050	—	—	Vrms	Ta=25°C *2) *6)
		1350	—	—	Vrms	Ta=0°C *2) *6)

5. Block Diagram

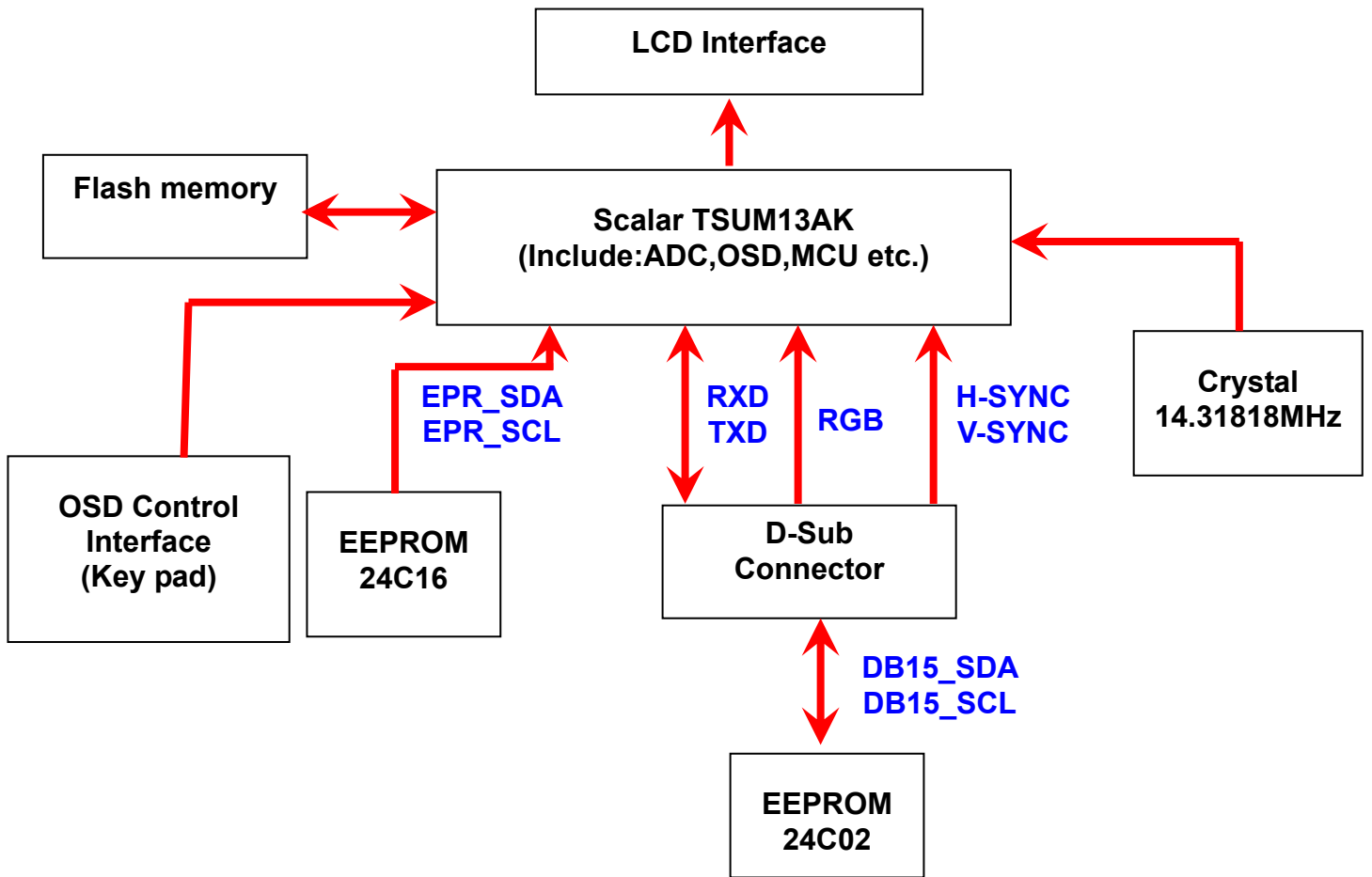
5.1 Soft Flow Chart



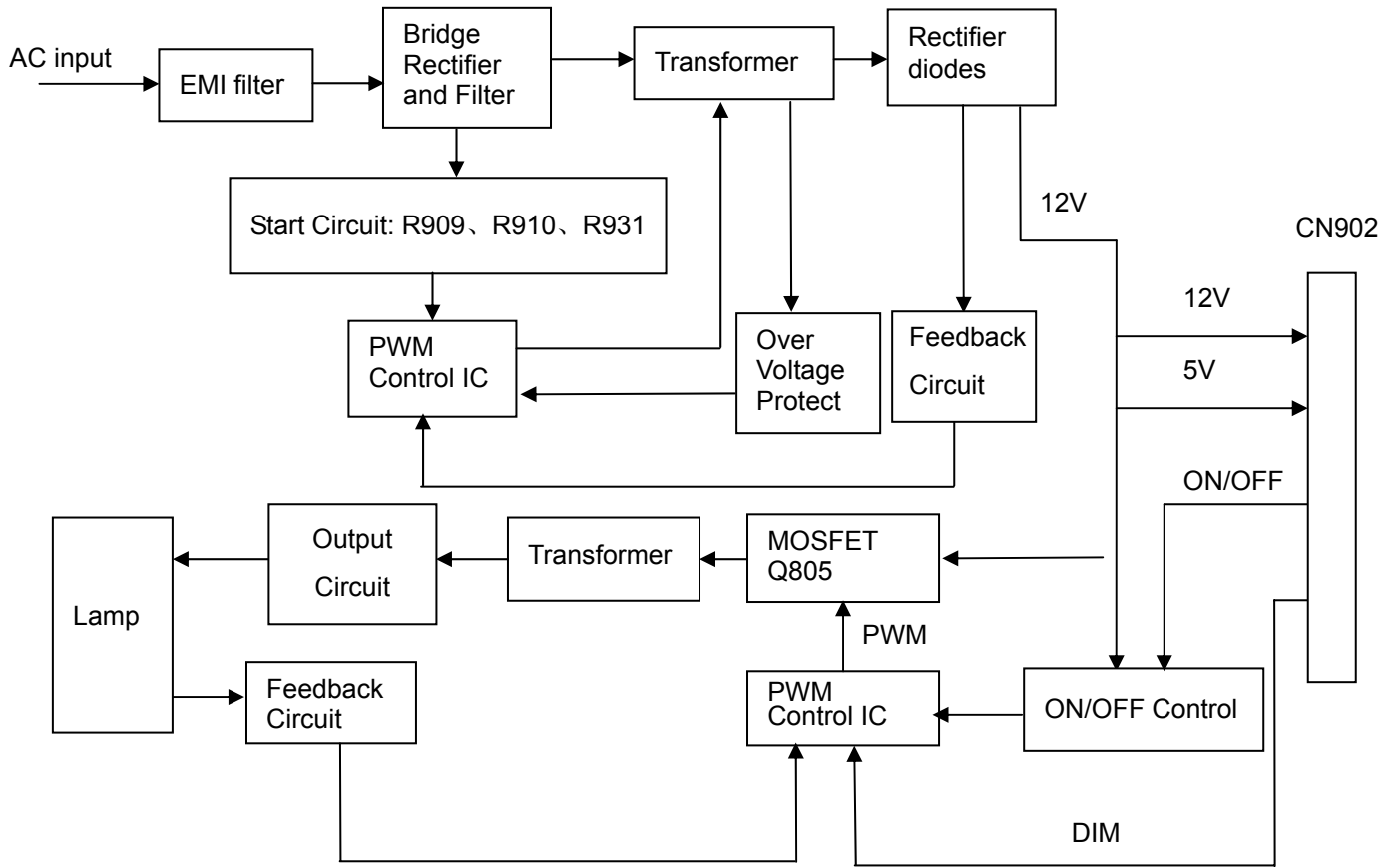
- 1) MCU initializes.
- 2) Is the EPROM blank?
- 3) Program the EPROM by default values.
- 4) Get the PWM value of brightness from EPROM.
- 5) Is the power key pressed?
- 6) Clear all global flags.
- 7) Are the AUTO and SELECT keys pressed?
- 8) Enter factory mode.
- 9) Save the power key status into EPROM.  
Turn on the LED and set it to green color.  
Scalar initializes.
- 10) In standby mode?
- 11) Update the lifetime of back light.
- 12) Check the analog port, are there any signals coming?
- 13) Does the scalar send out an interrupt request?
- 14) Wake up the scalar.
- 15) Are there any signals coming from analog port?
- 16) Display "No connection Check Signal Cable" message. And go into standby mode after the message disappears.
- 17) Program the scalar to be able to show the coming mode.
- 18) Process the OSD display.
- 19) Read the keyboard. Is the power key pressed?

5.2 Electrical Block Diagram

5.2.1 Main Board



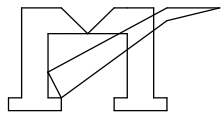
5.2.2 Inverter/Power Board





6. Schematic

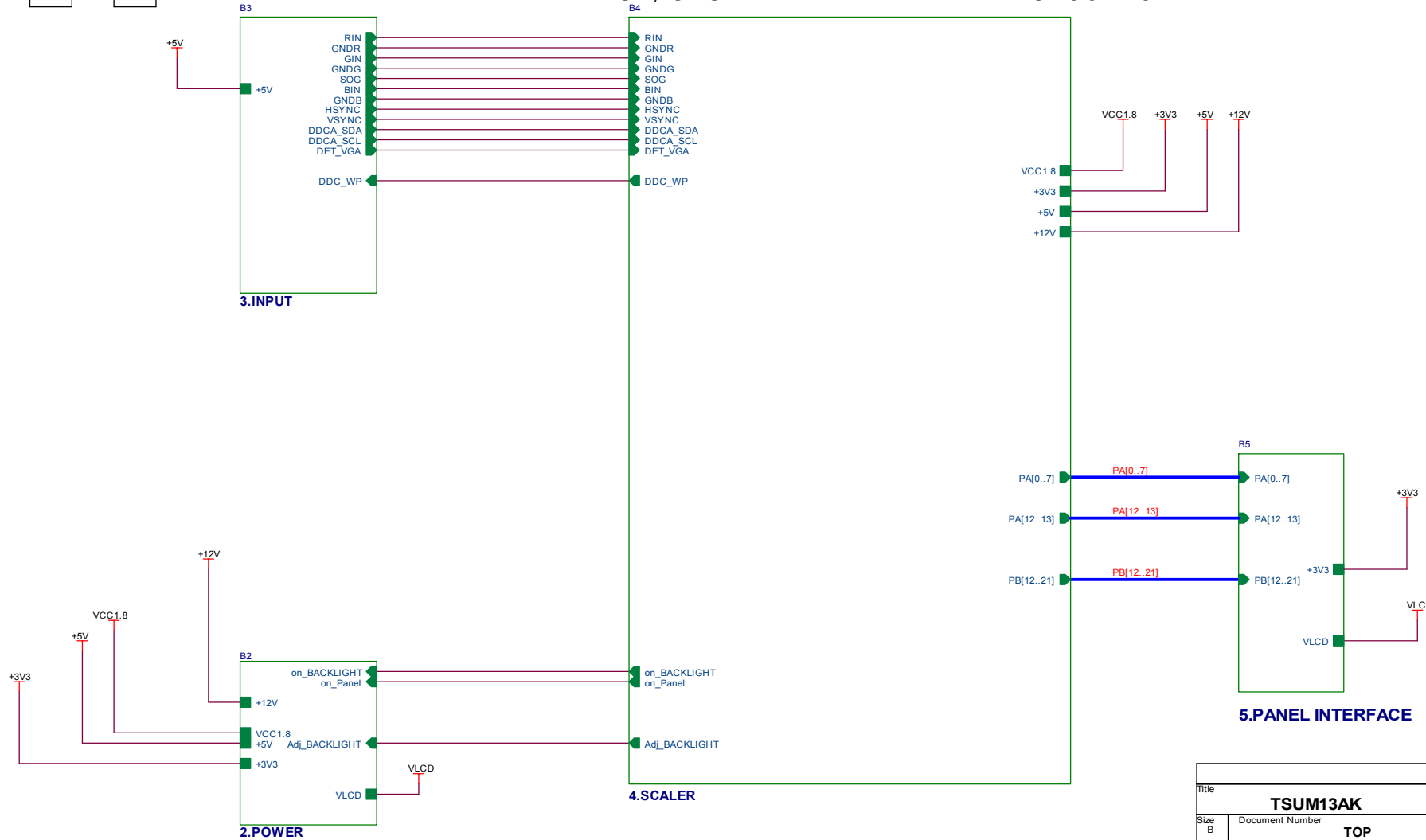
6.1 Main Board



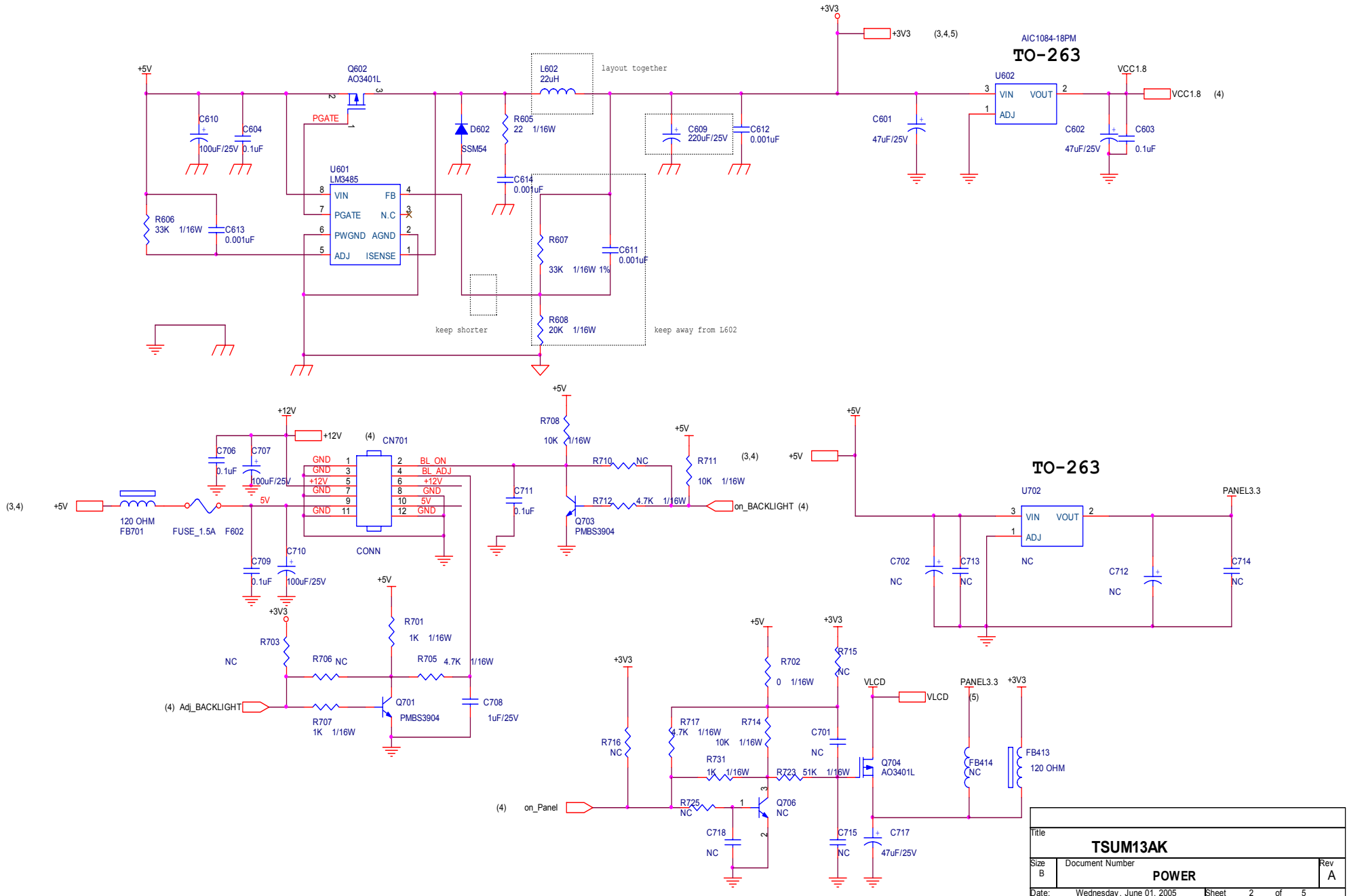
# TSUM13AK SCHEMATIC

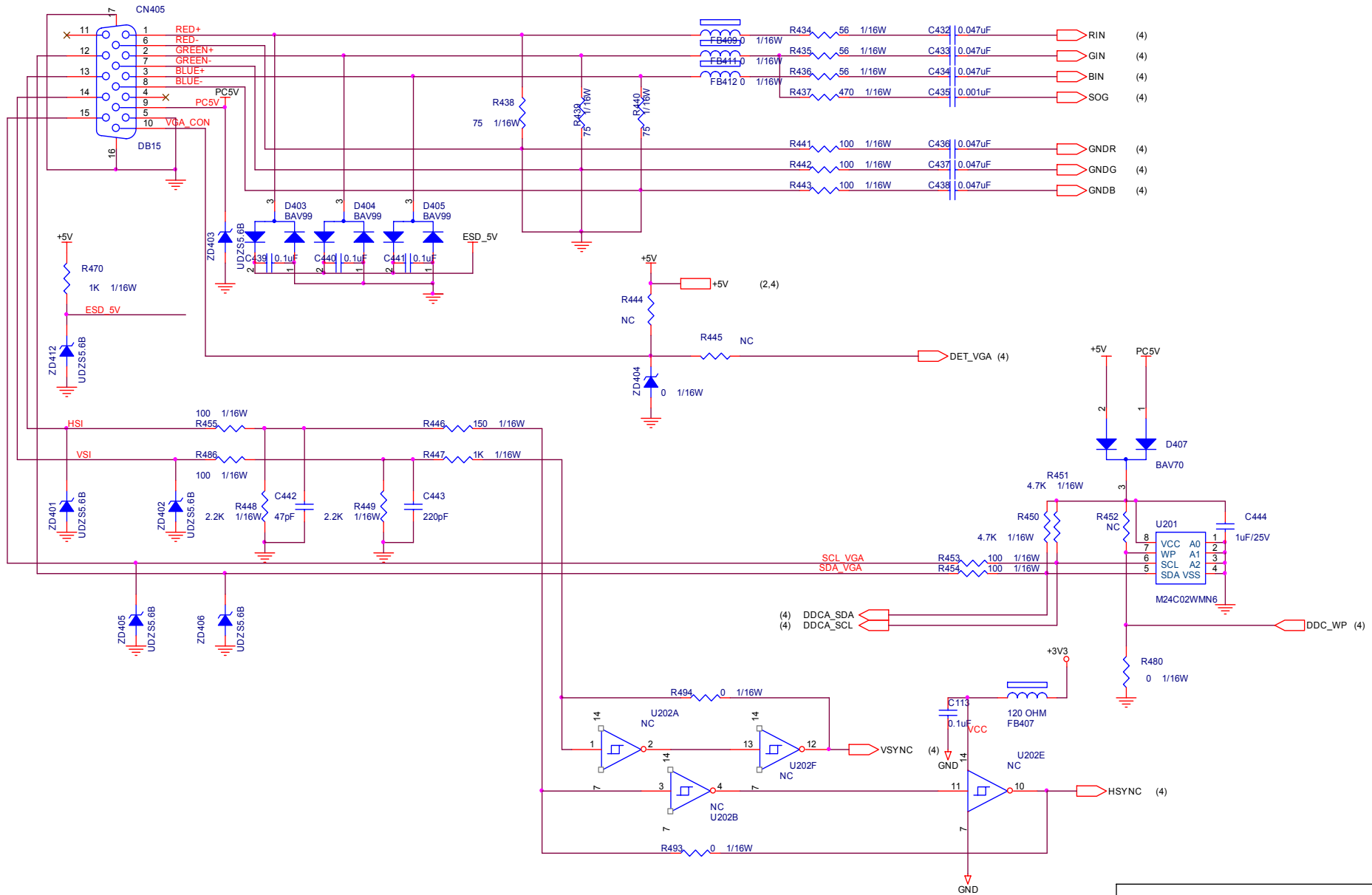
XGA/SXGA

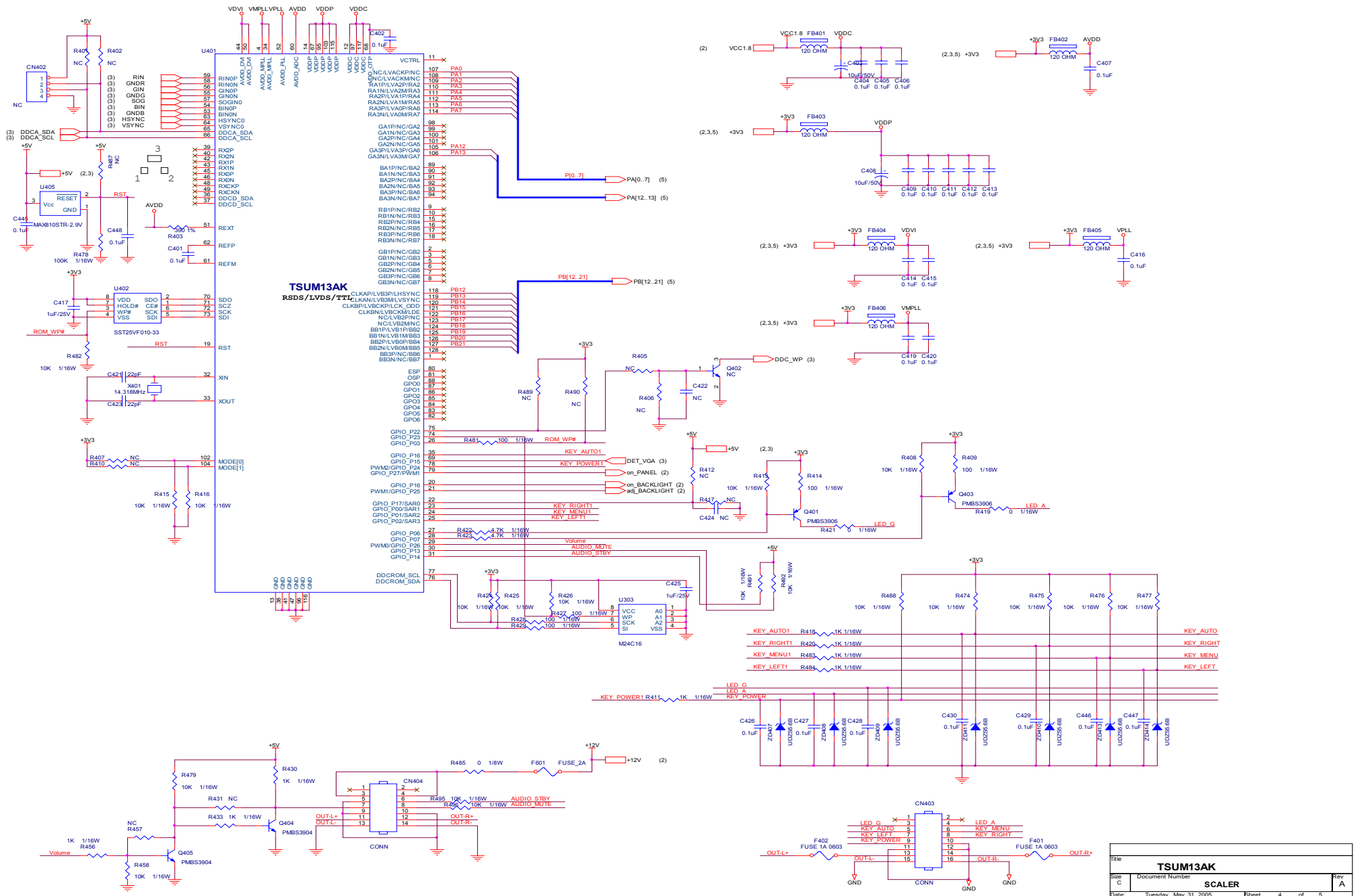
LVDS OUTPUT



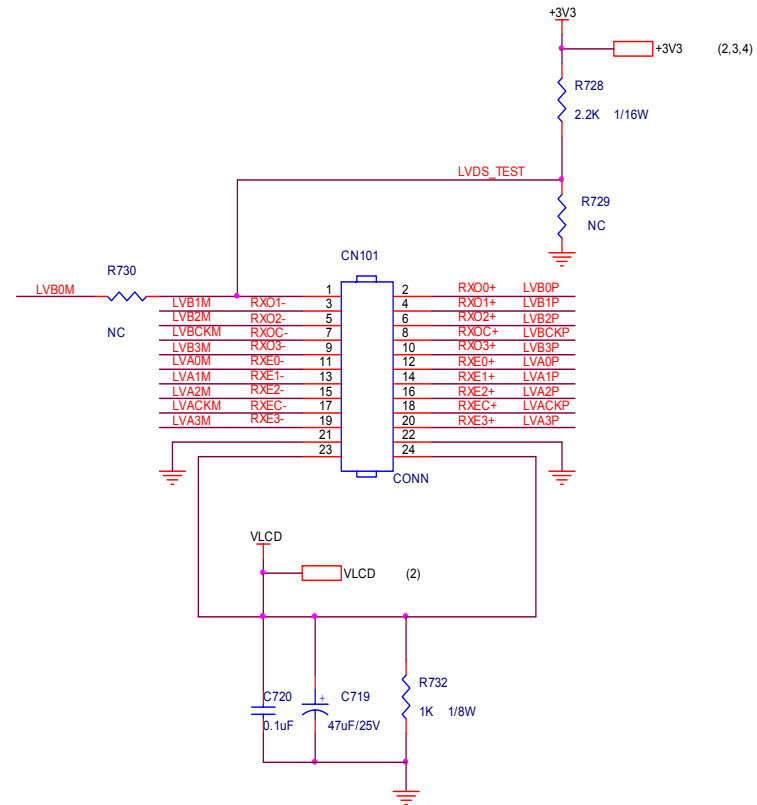
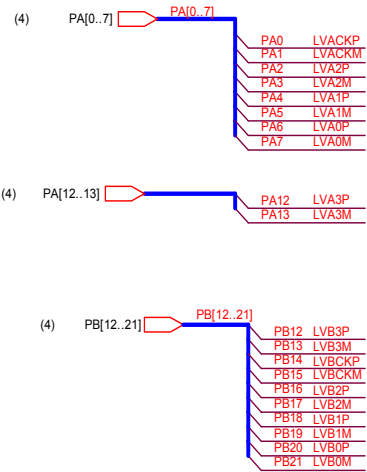
Title		
<b>TSUM13AK</b>		
Size	Document Number	Rev
B	<b>TOP</b>	A
Date:	Monday, May 30, 2005	Sheet 1 of 5





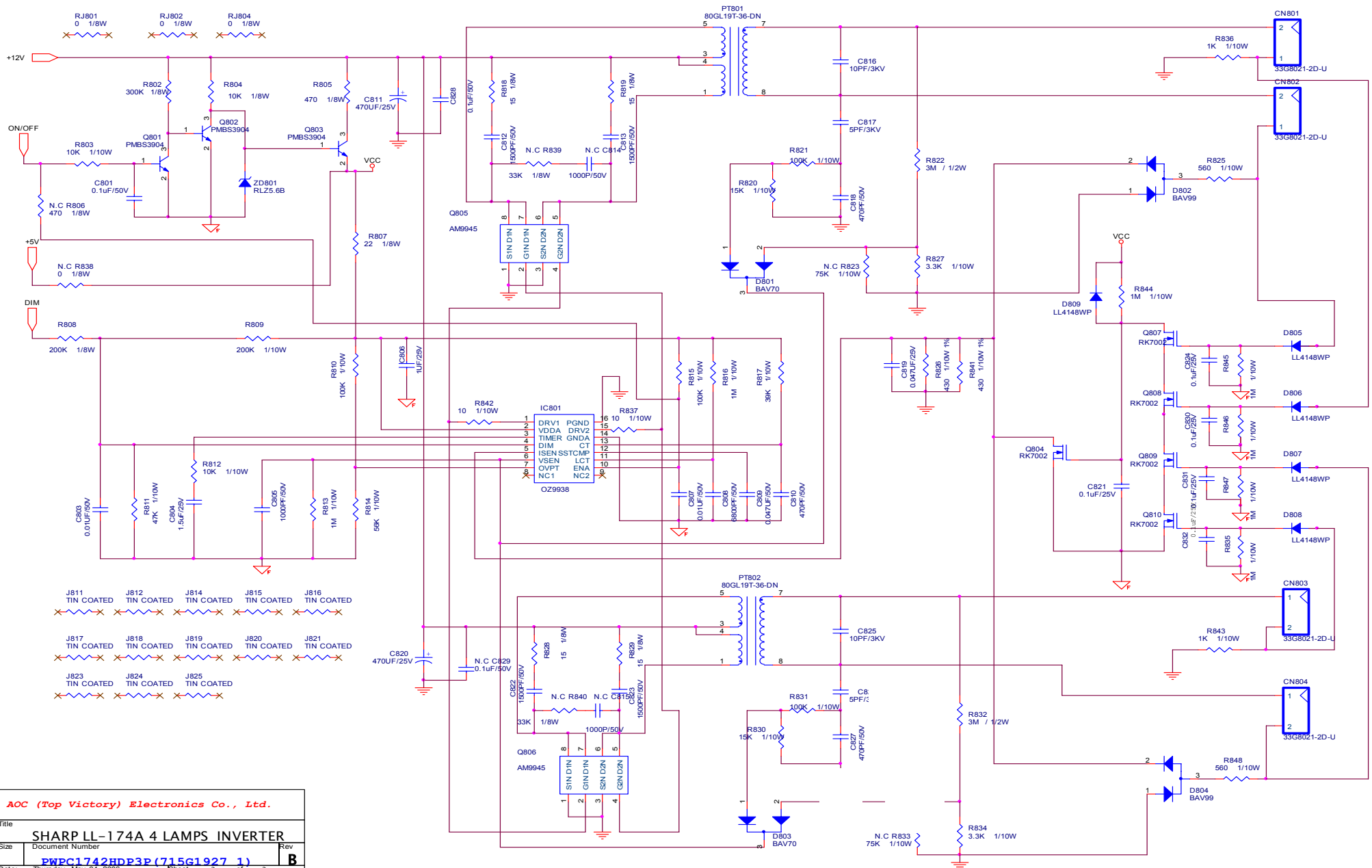


Title			Rev		
TSM13AK			A		
Size			Document Number		
C			SCALER		
Date			Sheet		
Tuesday, May 31, 2005			4 of 5		



Title		
TSUM13AK		
Size	Document Number	Rev
B	PANEL INTERFACE	A
Date:	Tuesday, May 31, 2005	Sheet 5 of 5

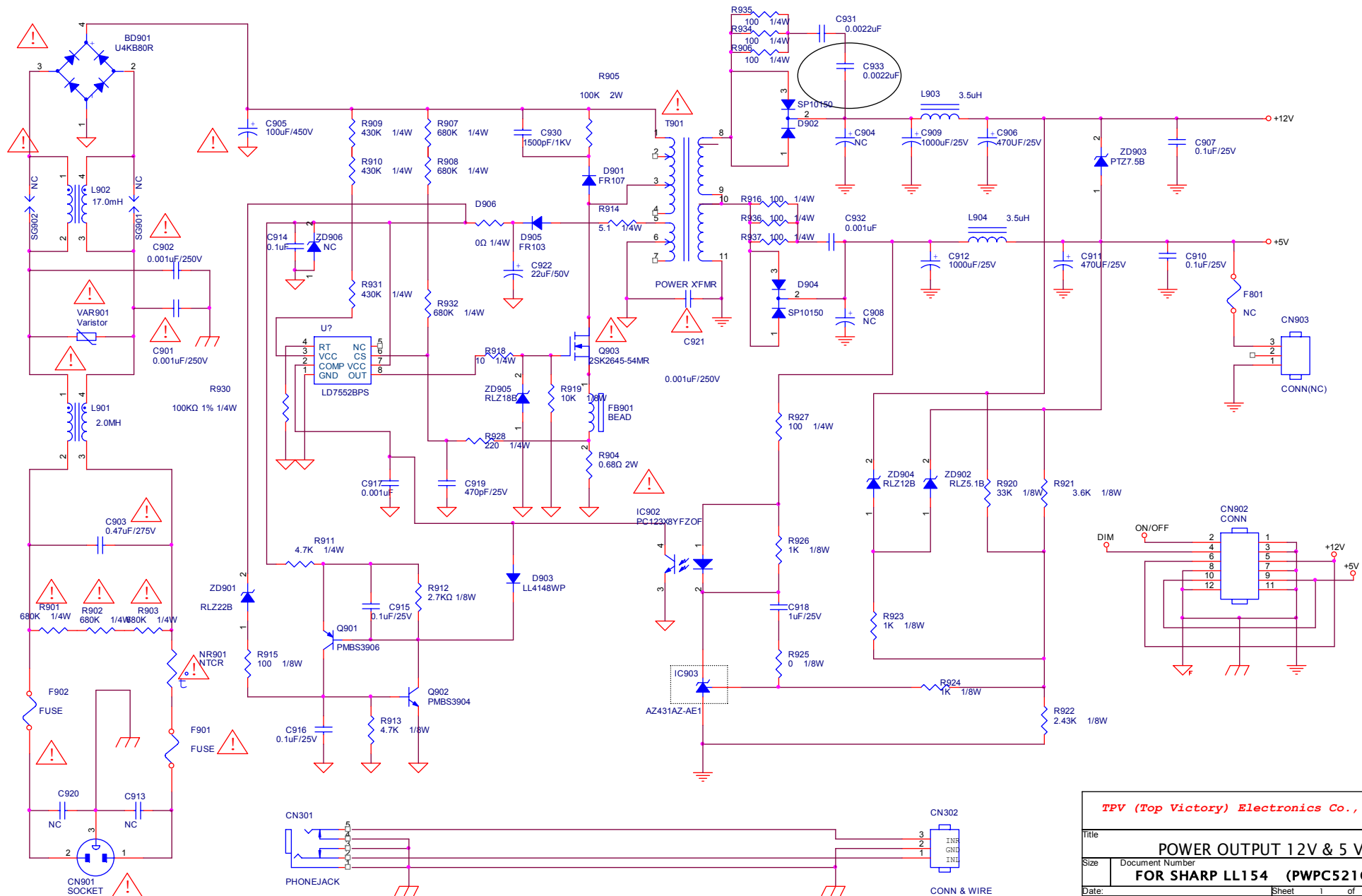
6.2 Inverter Board



AOC (Top Victory) Electronics Co., Ltd.	
Title SHARP LL-174A 4 LAMPS INVERTER	
Size	Document Number PWPC1742HDP3P(715G1927_1)
Date: Thursday, May 04, 2006	Sheet 2 of 2

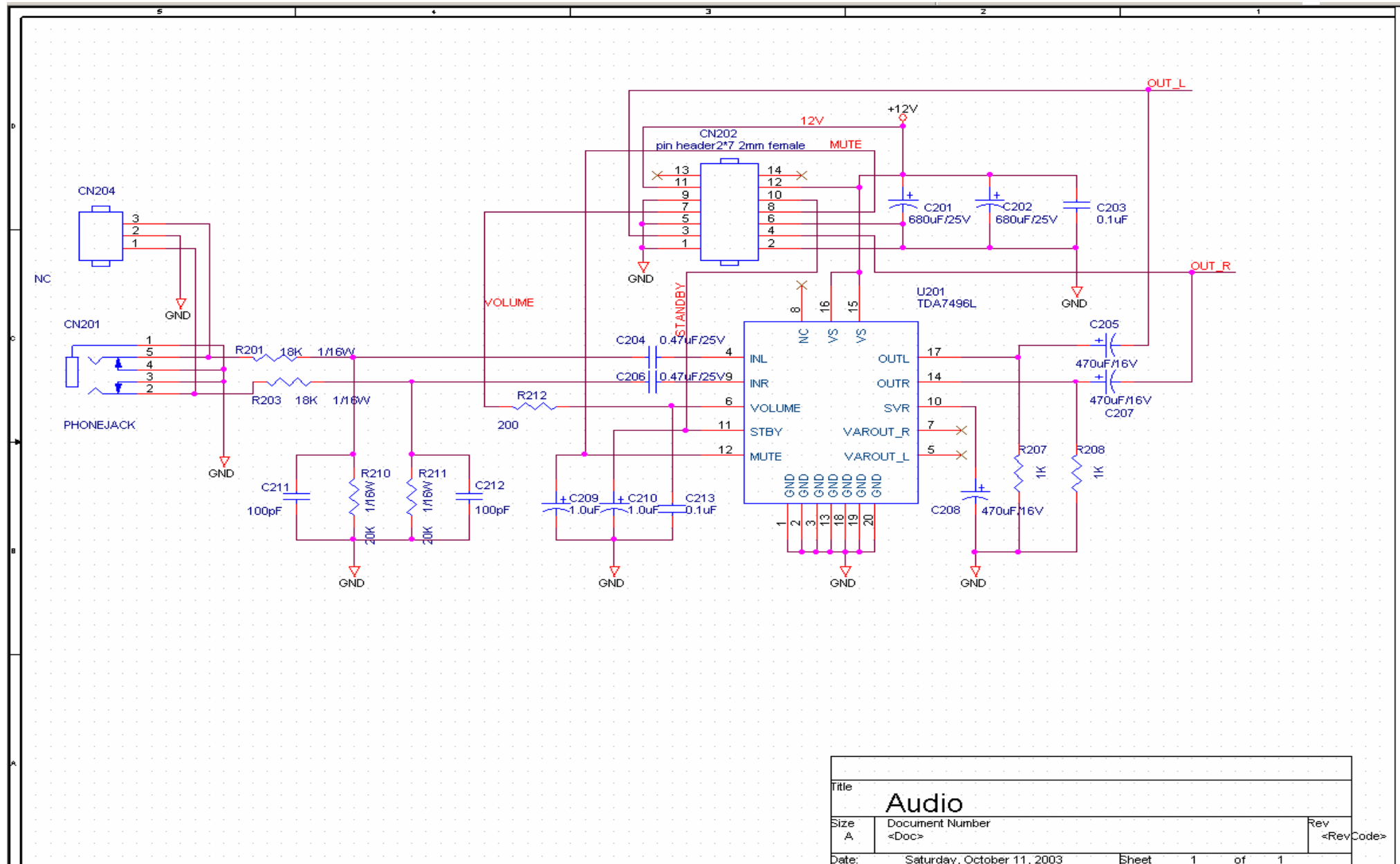


6.3 Adapter Board



<b>TPV (Top Victory) Electronics Co., Ltd.</b>	
Title	
<b>POWER OUTPUT 12V &amp; 5V</b>	
Size	Document Number
<b>FOR SHARP LL154 (PWPC521CP1) F</b>	
Date:	Rev
Sheet	1 of 2

6.4 Audio Board

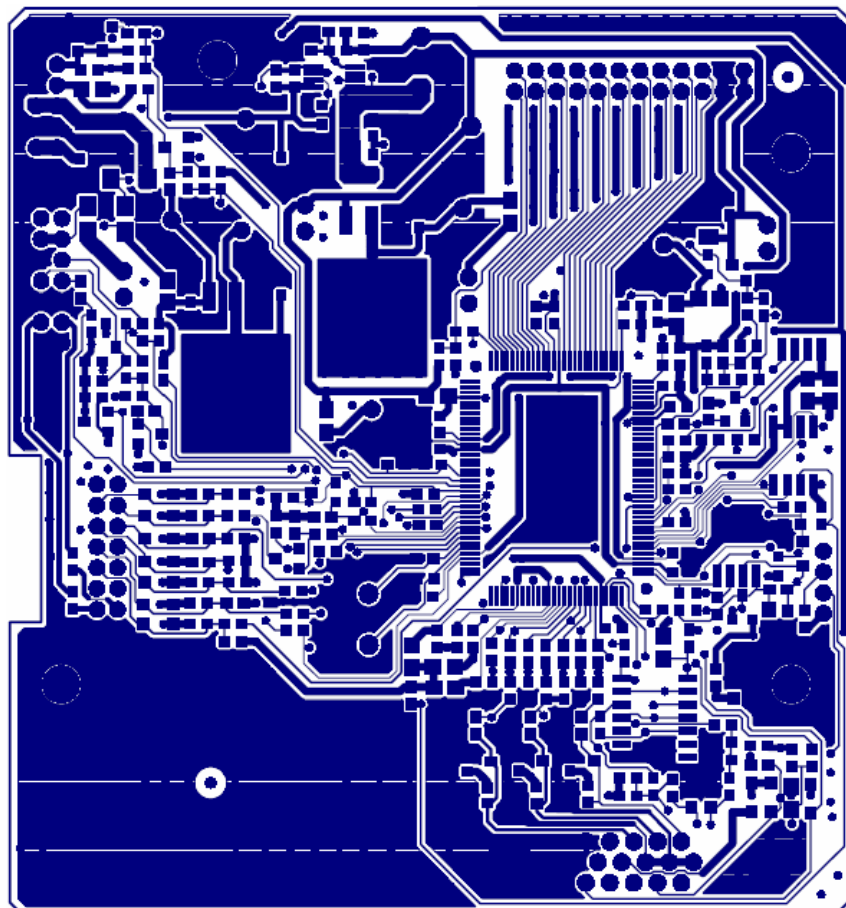
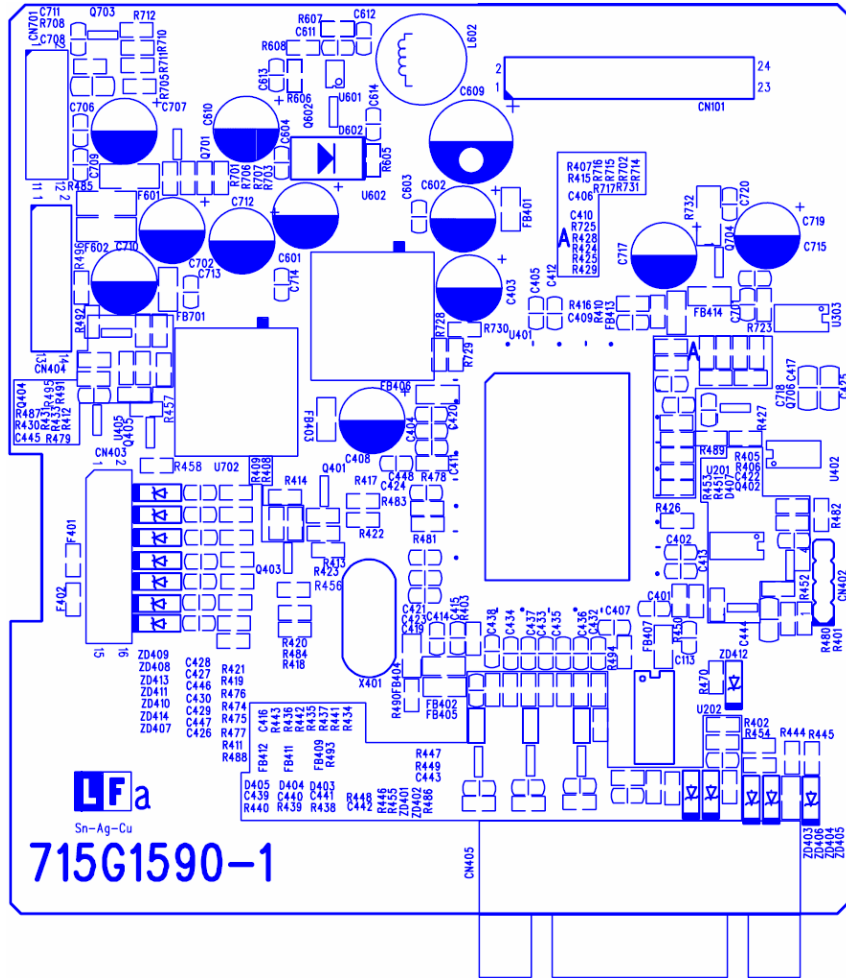


Title		
Audio		
Size	Document Number	Rev
A	<Doc>	<RevCode>
Date:	Saturday, October 11, 2003	Sheet 1 of 1

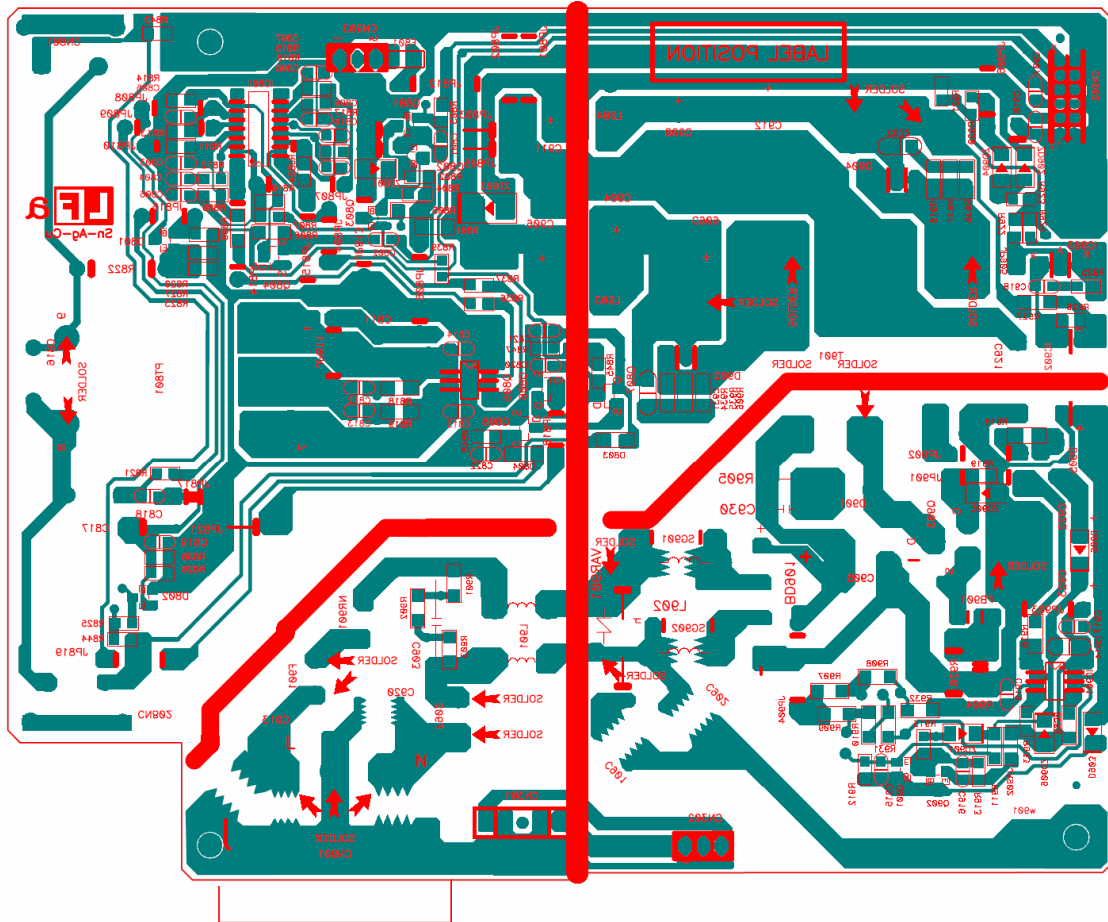


7. PCB Layout

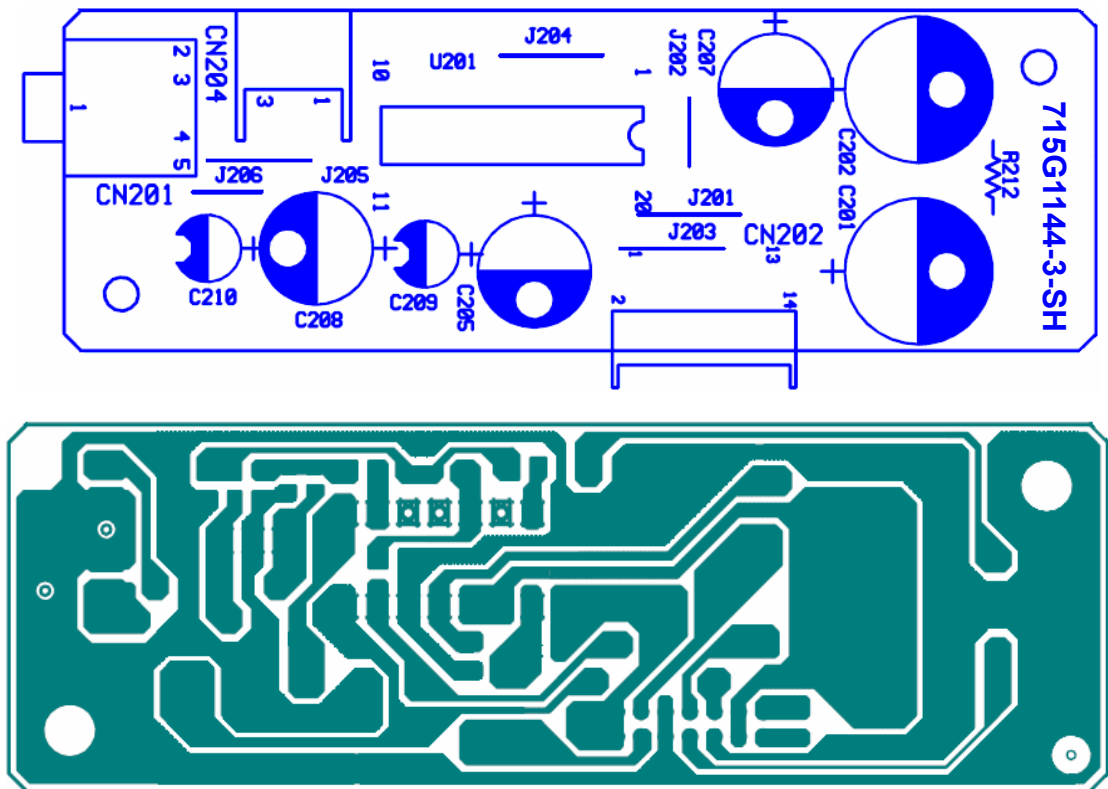
7.1 Main Board



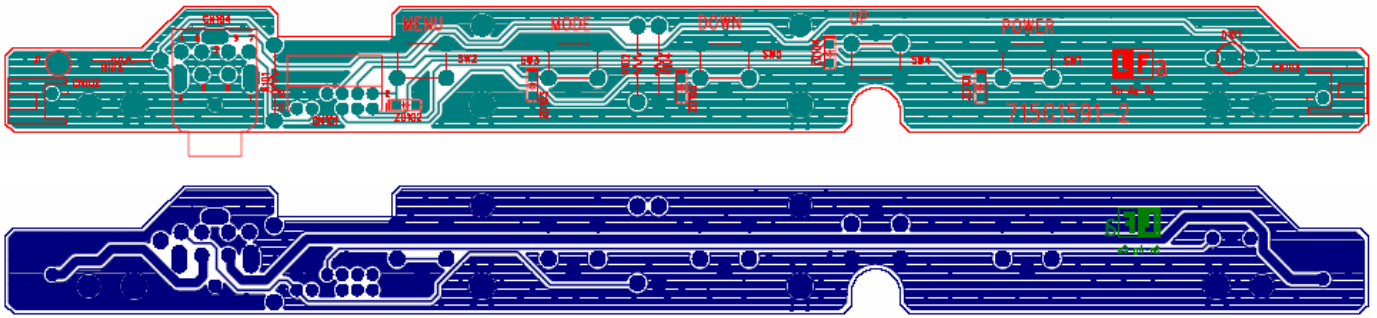




### 7.3 Audio Board



## 7.4 Key Board



## 8. Maintainability

### 8.1 Equipments and Tools Requirement

1. Voltmeter.150
2. Oscilloscope.
3. Pattern Generator.
4. DDC Tool with an IBM Compatible Computer.
5. Alignment Tool.
6. LCD Color Analyzer.
7. Service Manual.
8. User Manual.

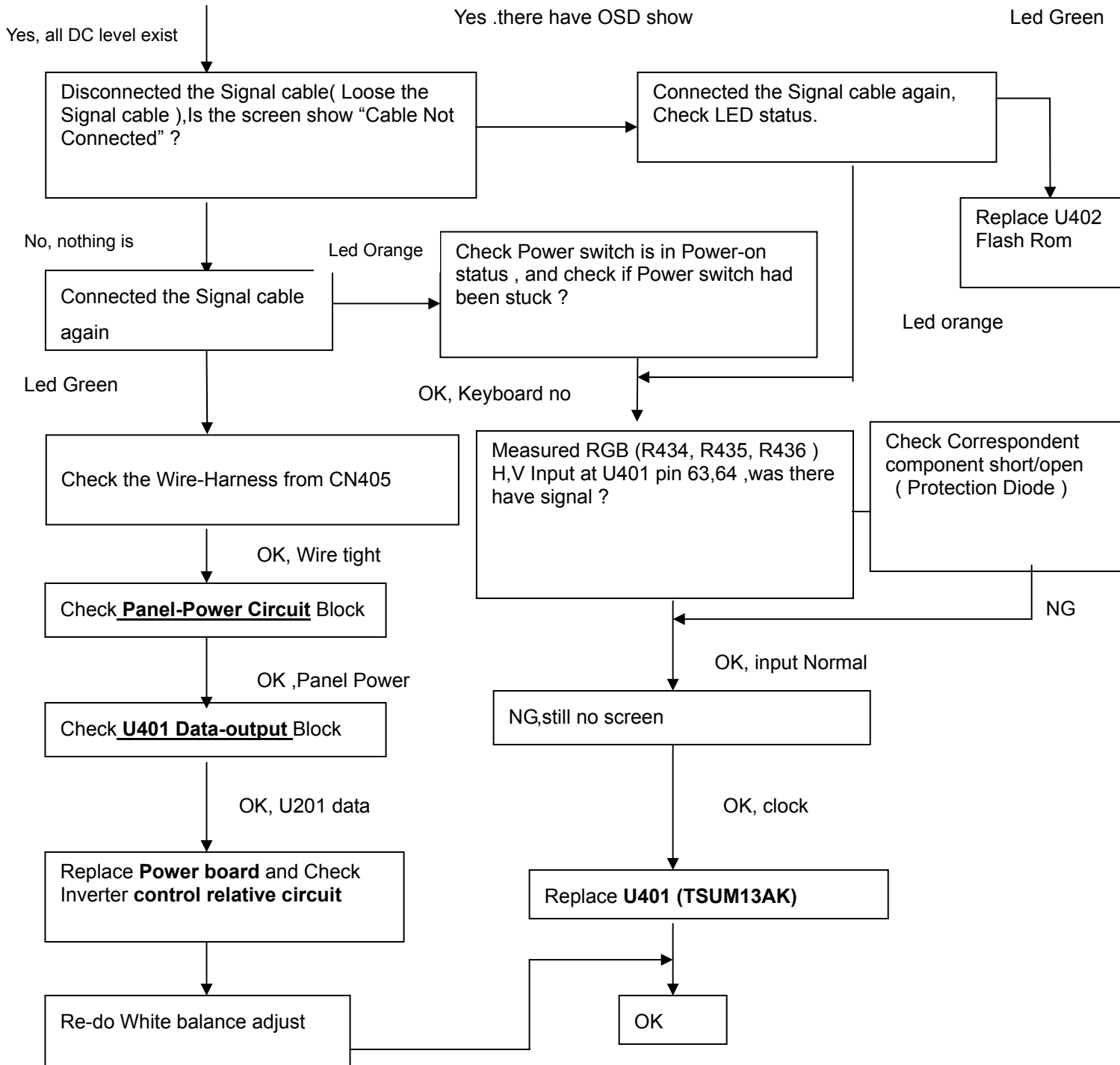
8.2 Trouble Shooting

8.2.1 MAIN BOARD

**NO SCREEN APPEAR**

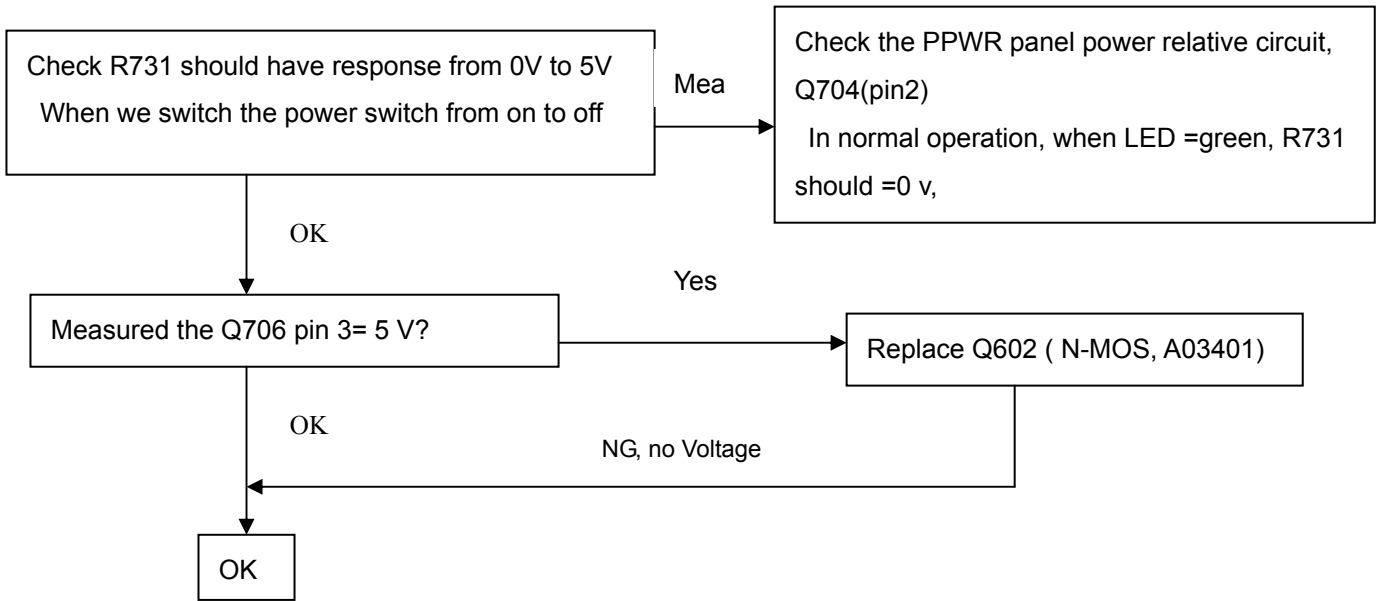
Measured CN701 pin 5,6 = 12 V?  
 Measured CN701 pin 9,10= 5V?  
 Measured U702 pin 2= 3.3V?  
 Measured U602 pin 2= 1.8V?  
 Measured CN402 pin 1/2 = 5V?  
 Measured CN402 pin 3/4 = 3.3V?

NG  
 Check Correspondent component.  
 Is there any shortage or cold solder?

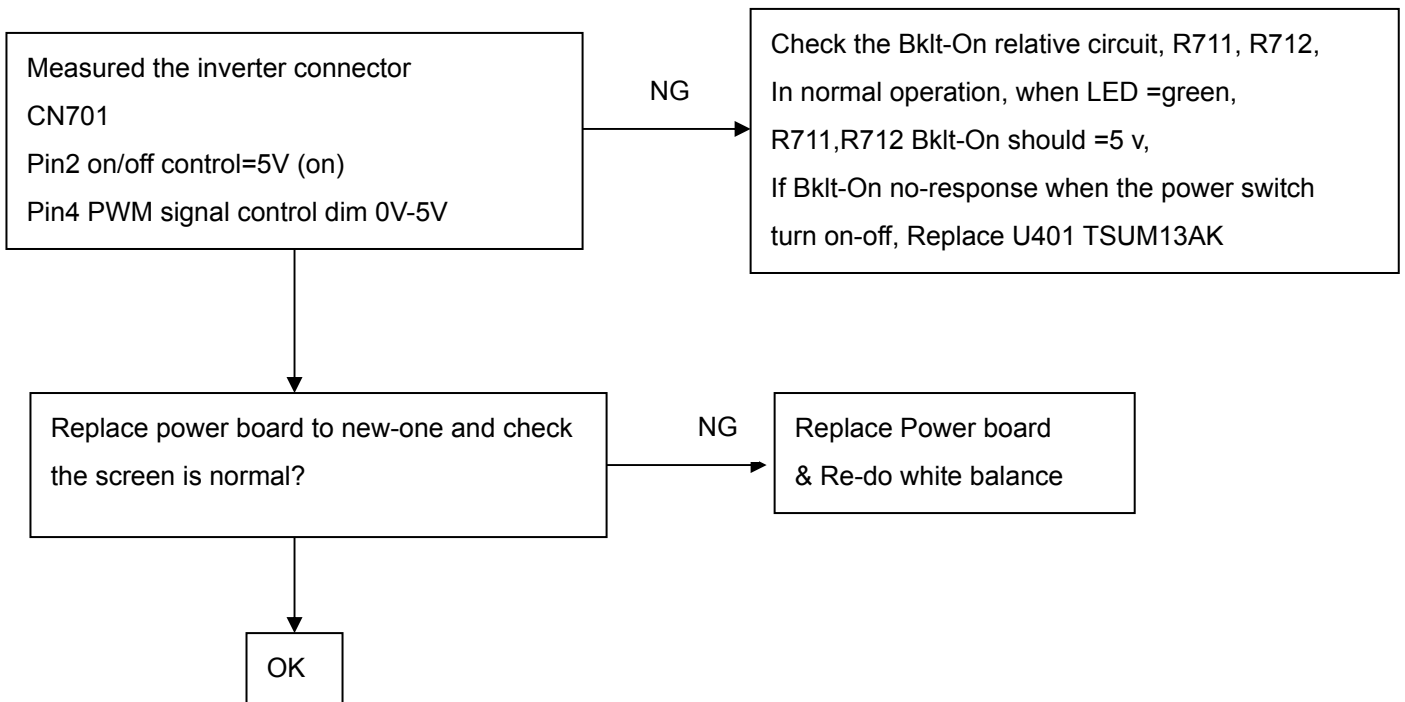


Note:1. If replace "MAIN-BOARD" , Please re-do "DDC-content" programmed & "WHITE-Balance".  
 2. If replace "Power Board" only, Please re-do " WHITE-Balance"

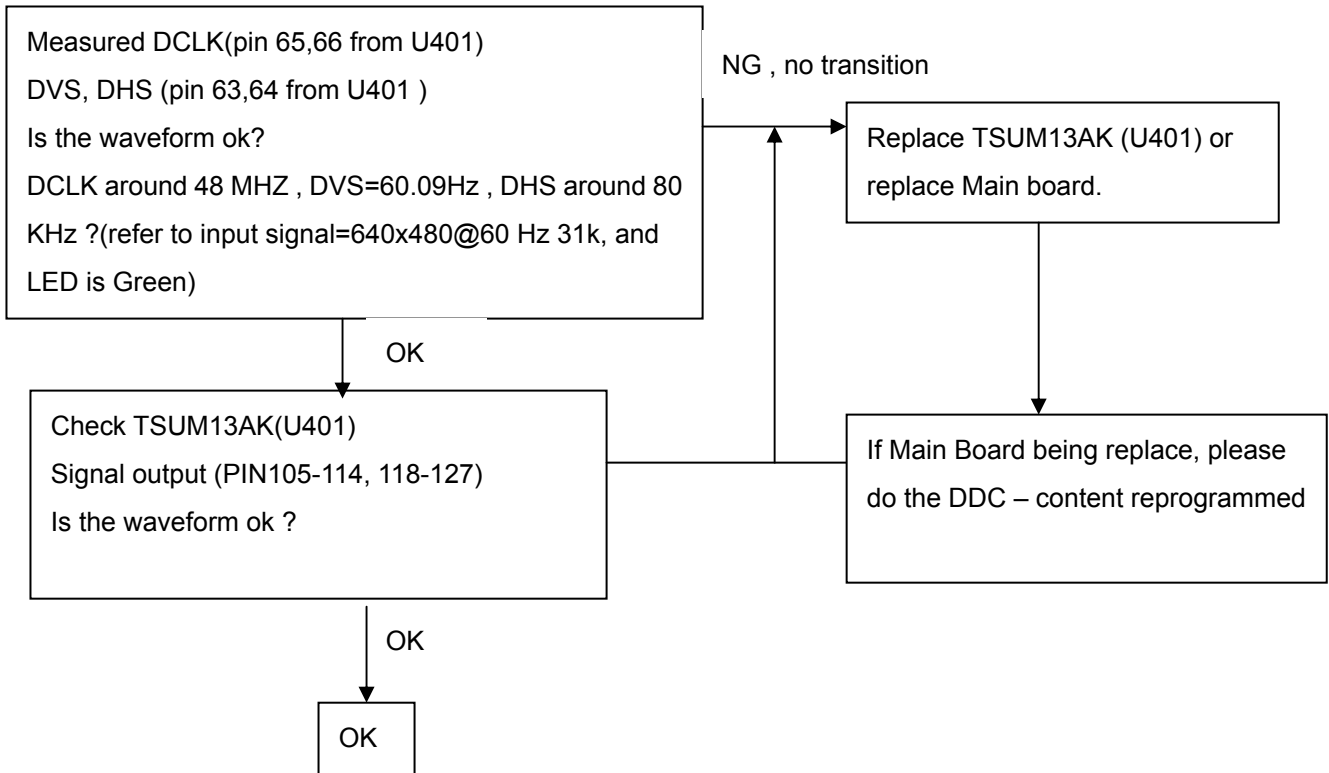
**2.PANEL POWER CIRCUIT**



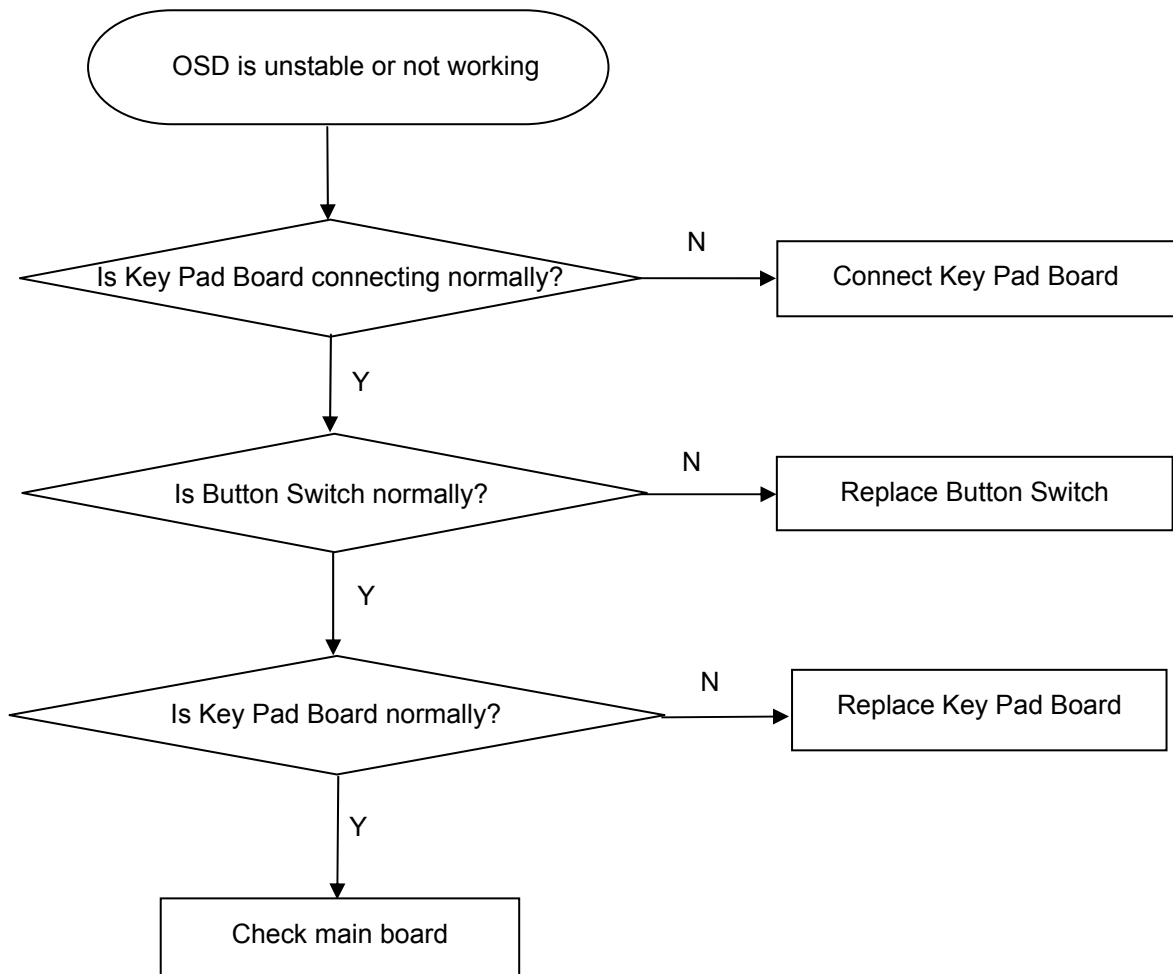
**3. INVERTER CONTROL RELATIVE CIRCUIT**



4. U4-DATA OUTPUT

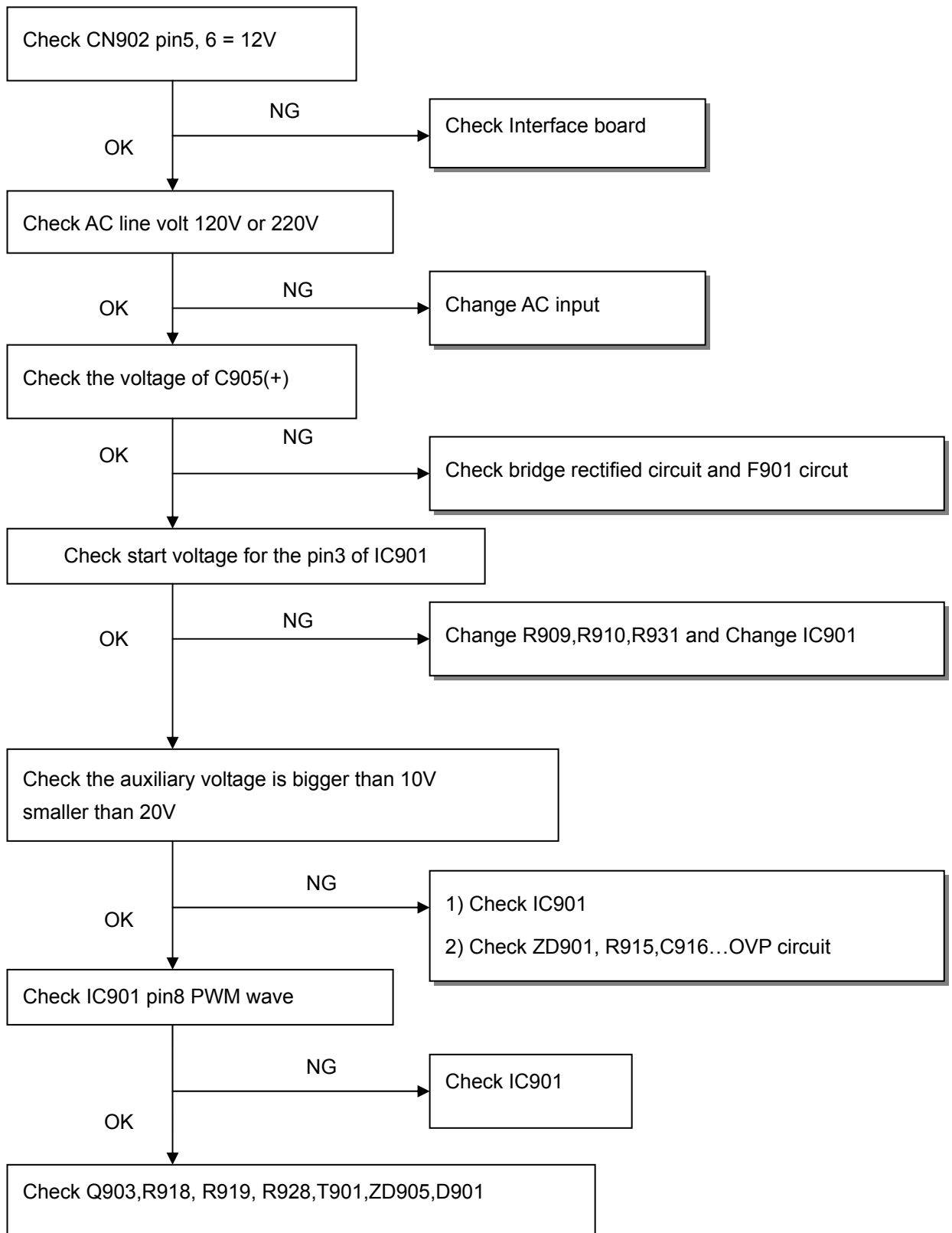


8.2.2 Keypad Board



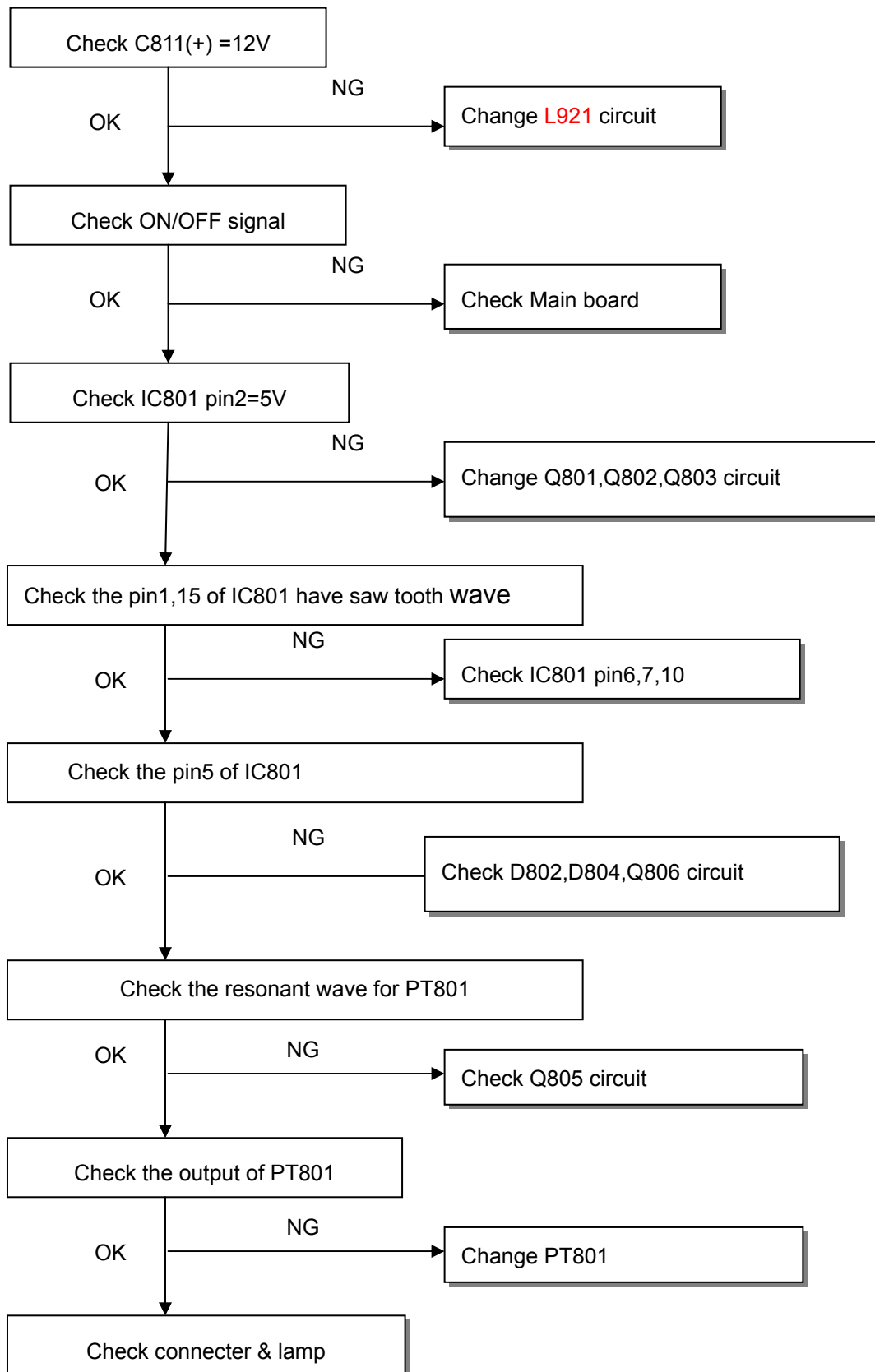
8.2.3 Power/Inverter Board

1.) No power





2.) W / LED , No Backlight



## 9. White-Balance, Luminance Adjustment

Approximately 30 minutes should be allowed for warm up before proceeding White-Balance adjustment.

### 1. How to do the CA210 MEM. Channel setting

A. Reference to CA210 user guide

B. Use “**SC**” key and “**NEXT**” key to modify x, y, Y value and use “**ID**” key to modify the TEXT description

Following is the procedure to do white-balance adjust:

### 2. Setting the color temp. you want

A. MEM.CHANNEL 1 (9300K color):

9300K color temp. parameter is  $x = 383 \pm 20$ ,  $y = 297 \pm 15$ ,

B. MEM.CHANNEL 2 (7500K color):

7500K color temp. parameter is  $x = 299 \pm 20$ ,  $y = 315 \pm 15$ ,

C. MEM.CHANNEL 3 (6500K color):

6500K color temp. parameter is  $x = 313 \pm 20$ ,  $y = 329 \pm 15$ ,

D. MEM.CHANNEL 3 (5000K color):

5000K color temp. parameter is  $x = 364 \pm 20$ ,  $y = 359 \pm 15$ ,

E. MEM.CHANNEL 3 (4000K color):

4000K color temp. parameter is  $x = 282 \pm 20$ ,  $y = 384 \pm 15$ ,

### 3. Into factory mode of SHARP LL-154A

Turn on power, press the MENU button, pull out the power cord, and then plug the power cord. Then the factory OSD will be at the left top of the panel.

### 4. Bias adjustment:

Set the **Contrast**  to 64; Adjust the **Brightness**  to 31.

### 5. Gain adjustment:

Move cursor to “-F-” and press MENU key

A. Adjust 9300K color-temperature

1. Switch the CA210 to **9300** (with press “MODE” button)

2. Switch the MEM. Channel to Channel 3 (with up or down arrow on CA210)

3. The LCD-indicator on CA210 will show  $x = 283 \pm 15$ ,  $y = 297 \pm 15$ ,

4. Adjust the RED of color1 on factory window until CA210 indicator reached the value R=100

5. Adjust the GREEN of color1 on factory window until CA210 indicator reached the value G=100

6. Adjust the BLUE of color1 on factory window until CA210 indicator reached the value B=100

7. Repeat above procedure (item 4,5) until CA210 R/G value meet the tolerance =  $100 \pm 5$

8. Repeat above procedure (item 6) until CA210 B value meet the tolerance =  $126 \pm 5$

B. Adjust 7500K color-temperature

1. Switch the CA210 to 7500 (with press “MODE” button)

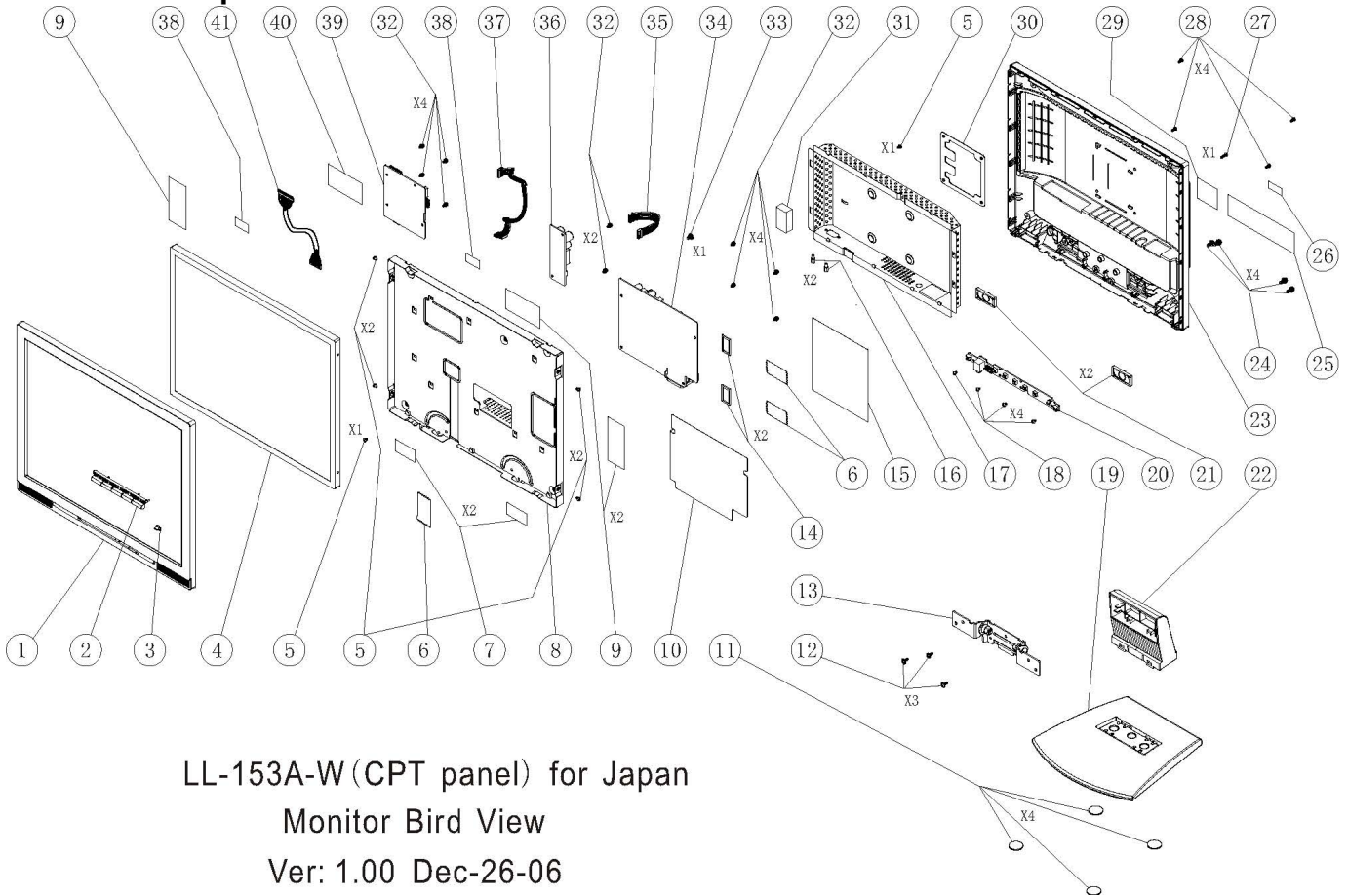
2. Switch the MEM. Channel to Channel 3 (with up or down arrow on CA210)

3. The LCD-indicator on CA210 will show  $x = 299 \pm 15$ ,  $y = 315 \pm 15$ ,

4. Adjust the RED of color1 on factory window until CA210 indicator reached the value R=100

5. Adjust the GREEN of color1 on factory window until CA210 indicator reached the value  $G=100$
  6. Adjust the BLUE of color1 on factory window until CA210 indicator reached the value  $B=100$
  7. Repeat above procedure (item 4,5) until CA210 R/G value meet the tolerance  $=100\pm 5$
  8. Repeat above procedure (item 6) until CA210 B value meet the tolerance  $=126\pm 5$
- C. Adjust 6500K color-temperature
1. Switch the CA210 to STD (with press "MODE" button)
  2. Switch the MEM. Channel to Channel 3 (with up or down arrow on CA210)
  3. The LCD-indicator on CA210 will show  $x = 313\pm 15$ ,  $y = 329\pm 15$ ,
  4. Adjust the RED of color1 on factory window until CA210 indicator reached the value  $R=100$
  5. Adjust the GREEN of color1 on factory window until CA210 indicator reached the value  $G=100$
  6. Adjust the BLUE of color1 on factory window until CA210 indicator reached the value  $B=100$
  7. Repeat above procedure (item 4,5) until CA210 R/G value meet the tolerance  $=100\pm 5$
  8. Repeat above procedure (item 6) until CA210 B value meet the tolerance  $=126\pm 5$
- D. Adjust 5000K color-temperature
1. Switch the CA210 to 5000 (with press "MODE" button)
  2. Switch the MEM. Channel to Channel 3 (with up or down arrow on CA210)
  3. The LCD-indicator on CA210 will show  $x = 346\pm 15$ ,  $y = 359\pm 15$ ,
  4. Adjust the RED of color1 on factory window until CA210 indicator reached the value  $R=100$
  5. Adjust the GREEN of color1 on factory window until CA210 indicator reached the value  $G=100$
  6. Adjust the BLUE of color1 on factory window until CA210 indicator reached the value  $B=100$
  7. Repeat above procedure (item 4,5) until CA210 R/G value meet the tolerance  $=100\pm 5$
  8. Repeat above procedure (item 6) until CA210 B value meet the tolerance  $=126\pm 5$
- E. Adjust 4000K color-temperature
1. Switch the CA210 to 4000 (with press "MODE" button)
  2. Switch the MEM. Channel to Channel 3 (with up or down arrow on CA210)
  3. The LCD-indicator on CA210 will show  $x = 282\pm 15$ ,  $y = 384\pm 15$ ,
  4. Adjust the RED of color1 on factory window until CA210 indicator reached the value  $R=100$
  5. Adjust the GREEN of color1 on factory window until CA210 indicator reached the value  $G=100$
  6. Adjust the BLUE of color1 on factory window until CA210 indicator reached the value  $B=100$
  7. Repeat above procedure (item 4,5) until CA210 R/G value meet the tolerance  $=100\pm 5$
  8. Repeat above procedure (item 6) until CA210 B value meet the tolerance  $=126\pm 5$
- C. Turn the Power-button off to quit from factory mode.

10. Monitor Exploded View



LL-153A-W (CPT panel) for Japan  
 Monitor Bird View  
 Ver: 1.00 Dec-26-06

Index	Part Name	Part Number	User Number	Qty	Unit
1	Front Cover	34G1630-A8M-T	0NY1630A8M00T	1	pcs
2	Function Button	33G4893-8M-T	0NY489308M00T	1	pcs
3	Power Lens	33G4894-1	0NY4894001000	1	pcs
4	Panel	750GLC50-P1Q-13N	0NYLC50P1Q13N	1	pcs
5	Screw	M1G330-4-120	0NY0330004120	6	pcs
6	Yellow Tape	52G6019-1	0NY6019001000	9	cm
7	Non-woven Fabrics	52G8001-8	0NY8001008000	2	pcs
8	Main Frame	J15G0030 1	0NY0030001000	1	pcs
9	Aluminum Tape	52G1-210-A	0NY000121000A	3	pcs
10	Mylar MF	J52G8025-11-823	0NY8025011823	1	pcs
11	Foot	12G394-3	0NY0394003000	4	pcs
12	Screw	Q1G1030-8-120	0NY1030008120	3	pcs
13	Hinge	37G495-1	0NY0495001000	1	pcs
14	Pin Connectr	11G6055-1	0NY6055001000	2	pcs
15	Mylar Shield	52G6025-11-582	0NY6025011582	1	pcs
16	D-SUB Screw	J02G247-SH	0NY02470SH000	2	pcs
17	Main Shield	85G707-1	0NY0707001000	1	pcs
18	Screw	Q1G330-6-120	0NY0330006120	4	pcs
19	Base	34G1632-8M-T	0NY163208M00T	1	pcs
20	Key Board	KEPC6JA9	0NY6JA9000000	1	pcs
21	Speaker	78G314-2-K	0NY031400200K	2	pcs

Index	Part Name	Part Number	User Number	Qty	Unit
22	Stand	34G1631-8M-T	0NY163108M00T	1	pcs
23	Rear Cover	34G1298-8M-ST	0NY129808M00T	1	pcs
24	Screw	AM1G1740-10-120	0NY1740010120	4	pcs
25	ID Lable	40G950-843-2B	0NY095084302B	1	pcs
26	S/N Lable	40G100-843-1A	0NY010084301A	1	pcs
27	Screw	Q1G330-10-120	0NY0330010120	1	pcs
28	Screw	M1G330-6-120	0NYM330006120	4	pcs
29	Caution Label	40G581-843-7A	0NY058184307A	1	pcs
30	Vesa Bracket	15G5791-1	0NY5791001000	1	pcs
31	Thermal Pad	12G6051-1	0NY6051001000	1	pcs
32	Screw	M1G1730-6-120	0NY1730006120	10	pcs
33	Screw	M1G1140-5-120	0NY1140005120	1	pcs
34	Power Board	PWPC521CP1P	0NY521CP1P000	1	pcs
35	Wireharness/Power	95G8014-12-36	0NY8014012036	1	pcs
36	Audio Board	AUPC560KB8P	0NY560KB8P000	1	pcs
37	Wireharness/Key pad	95G8014-16-46	0NY8014016046	1	pcs
38	EVA Washer	44G3231-15	0NY3231015000	2	pcs
39	Main Board	CBPC6CM5XWJ1	0NY6CM5XWJ100	1	pcs
40	Black Tape	52G1-150-SH	0NY00011500SH	7	cm
41	Wireharness	95G8018-24-701-D	0NY8018024701	1	pcs

The Front Cover Ass'y(0NY1630A8MA0T) includes following parts:

1	Front Cover	34G1630-A8M-T	0NY1630A8M00T	1	pcs
2	Function Button	33G4893-8M-T	0NY489308M00T	1	pcs
3	Power Lens	33G4894-1	0NY4894001000	1	pcs

LL-153A-W (CPT panel) for Japan  
 Part List of Monitor Bird View  
 Ver: 1.00 Dec-26-06

## 11. BOM List

## T56CM5NJXXXWAJ

Location	Part No.	Description
	AUPC560KB8P	AUPC BOARD FOR SMT
	CBPC6CM5XWJ1	MAIN BOARD
	KEPC6JA9	KEY BOARD
	PWPC521CP1P	G2152-F-X-X-1-20061121
	11G6055 1	口字框
	11G6082 1	CLAMP
	12G 394 3	FOOT
	12G6051 1	Thermal Pal
	15G5791 1	VESA BRACKET
	34G1298 8M ST	REAR COVER
	34G1630A8M T	FRONT COVER
	34G1631 8M T	STAND
	34G1632 8M T	BASE
	37G 495 1	HINGE
	44G3231 15	EVA WASHER
	45G8088607SH3	EPE BAG FOR MONITOR
	52G 1150 SH	BLACK TAPE
	52G 1210 A	AL Foil
	52G6019 1	YELLOW TAPE
	52G6022 22 GP	Adhesive tape
	52G6025 11582	MYLAR SHIELD
	52G8001 8	NON-WOVEN FABRICS
	78G 314 2 K	LCD Speaker
	85G 707 1	MAIN SHIELD
	89G 17356G556	AUDIO CABLE
	89G 728GAB901	SIGNAL CABLE
	89G401D18NISA	POWER CORD
	95G8014 12 36	HARNESS 12P-12P 80mm
	95G8014 16 46	HARNESS 12P-16P 180MM
	95G8018 24701 D	WIRE HARNESS 20P-24P 115
XN01A	M1G 330 4120	SCREW
XN01B	M1G 330 4120	SCREW
XN01C	M1G 330 4120	SCREW
XN01A	M1G 330 6120	SCREW
XN01A	M1G1140 5120	SCREW
XN01A	M1G1730 6120	M3*6
XN01B	M1G1730 6120	M3*6

XN01C	M1G1730 6120	M3*6
XN01A	Q1G 330 6120	SCREW M3X6MM
XN01A	Q1G 330 10120	SCREW
XN01A	Q1G1030 8120	SCREW 3X8 NI
	705GP503 1A SH	PAPER PAD ASS'Y
	750GLC50P1Q13N	PANEL LCD CLAA150XP01Q 0
XN01A	AM1G1740 10120	SCREW
D-SUB	J02G 247 SH	SCREW
	J15G0030 1	MAIN FRAME
	J44GP504624 1A	CARTON
	J45G8088609SH1	EPE BAG FOR BASE
	J52G8025 11823	INSULATE SHEET
	AUPC560KB8SMTP	AUPC BOARD FOR SMT
	12G 408 10	THERMAL PAD
CN204	33G3278 3	WAFER 3P PLUG 2.55mm
CN202	33G802414C H	WAFER
U201	56G 616 1	AMPLIFIER IC E-TDA7496L
R212	61G 60222452T	220KOHM 5% 1/6W
C205	67G215L471 3N	470UF/16V
C207	67G215L471 3N	470UF/16V
C208	67G215L471 3N	470UF/16V
C201	67G215L681 4N	680UF 25V
C202	67G215L681 4N	680UF 25V
	90G6093 1	HEAT SINK
	AUPC560KB8AIP	AUPC BOARD FOR AI
R207	61G0603102	CHIPR 1KOHM +-5% 1/10W
R208	61G0603102	CHIPR 1KOHM +-5% 1/10W
R201	61G0603183	CHIP resistors 1/10W
R203	61G0603183	CHIP resistors 1/10W
R210	61G0603203	RST CHIP 20K 1/10W 5%
R211	61G0603203	RST CHIP 20K 1/10W 5%
R202	61G0603204	RST CHIP 200K 1/10W 5%
C211	65G0805101 31	CHIP 100PF 50V NPD 0805
C212	65G0805101 31	CHIP 100PF 50V NPD 0805
C203	65G0805104 32	CHIP 0.1UF 50V X7R 0805
C213	65G0805104 32	CHIP 0.1UF 50V X7R 0805
C204	65G0805474 22	CHIP 0.47UF 25V Y5V 0805
C206	65G0805474 22	CHIP 0.47UF 25V Y5V 0805
C209	67G 2151097NT	1UF/50V
C210	67G 2151097NT	1UF/50V

	715G1144 3 SH	PCB
	SMTC6CM5XWJ1	MAIN BOARD
CN404	33G801714H H	PIN2*7
CN701	33G8027 12	WAFER 2*6P 2.0MM R/A
CN403	33G8027 16	WAFER 16PIN 2.0MM DIP
CN101	33G8027 24 H	PIN 24P 2.0MM RIGHT ANGL
	40G 45762412B	CBPC LABEL
C403	67G215V100 7N	LOW ESR EC 10UF 50V NCC
C408	67G215V100 7N	LOW ESR EC 10UF 50V NCC
C610	67G215V101 4N	LOW ESR EC 100UF 25V NCC
C707	67G215V101 4N	LOW ESR EC 100UF 25V NCC
C710	67G215V101 4N	LOW ESR EC 100UF 25V NCC
C609	67G215V221 4N	LOW ESR EC 220UF 25V NCC
C601	67G215V470 4N	LOW ESR EC 47UF 25V NCC
C602	67G215V470 4N	LOW ESR EC 47UF 25V NCC
C717	67G215V470 4N	LOW ESR EC 47UF 25V NCC
C719	67G215V470 4N	LOW ESR EC 47UF 25V NCC
L602	73G 253158 L	CHOKE COIL
CN405	88G353A15F HJ	D-SUB 15PIN
	90G6250 1 GP	Radiator
X401	93G 22 53	CRYSTAL 14.31818MHZ HC-4
U601	56G 133 32 NS	IC LM3485 MSOP-8
U401	56G 562102	TSUM13AK-LF PQFP-128
U602	56G 563 34	IC AIC1084-18PM TO-263
U405	56G 643 5A	MAX810STRG SOT-23 IC
U201	56G1133 34	IC M24C02-WMN6TP
U303	56G1133 56	IC M24C16-WMN6TP
U402	56G1133 81 X	SST25LF020A-33-4C-SAE
Q404	57G 417 4	PMBS3904/PLILIPS
Q405	57G 417 4	PMBS3904/PLILIPS
Q701	57G 417 4	PMBS3904/PLILIPS
Q703	57G 417 4	PMBS3904/PLILIPS
Q401	57G 417 6	PMBS3906 PNP
Q403	57G 417 6	PMBS3906 PNP
Q602	57G 763 1	A03401L
Q704	57G 763 1	A03401L
F401	61G0603000	CHIPR 00HM +-5% 1/10W
F402	61G0603000	CHIPR 00HM +-5% 1/10W
FB409	61G0603000	CHIPR 00HM +-5% 1/10W
FB411	61G0603000	CHIPR 00HM +-5% 1/10W

FB412	61G0603000	CHIPR 00HM +-5% 1/10W
R419	61G0603000	CHIPR 00HM +-5% 1/10W
R421	61G0603000	CHIPR 00HM +-5% 1/10W
R480	61G0603000	CHIPR 00HM +-5% 1/10W
R493	61G0603000	CHIPR 00HM +-5% 1/10W
R494	61G0603000	CHIPR 00HM +-5% 1/10W
R702	61G0603000	CHIPR 00HM +-5% 1/10W
R409	61G0603101	CHIPR 1000HM +-5% 1/10W
R414	61G0603101	CHIPR 1000HM +-5% 1/10W
R427	61G0603101	CHIPR 1000HM +-5% 1/10W
R428	61G0603101	CHIPR 1000HM +-5% 1/10W
R429	61G0603101	CHIPR 1000HM +-5% 1/10W
R441	61G0603101	CHIPR 1000HM +-5% 1/10W
R442	61G0603101	CHIPR 1000HM +-5% 1/10W
R443	61G0603101	CHIPR 1000HM +-5% 1/10W
R445	61G0603101	CHIPR 1000HM +-5% 1/10W
R453	61G0603101	CHIPR 1000HM +-5% 1/10W
R454	61G0603101	CHIPR 1000HM +-5% 1/10W
R455	61G0603101	CHIPR 1000HM +-5% 1/10W
R481	61G0603101	CHIPR 1000HM +-5% 1/10W
R486	61G0603101	CHIPR 1000HM +-5% 1/10W
R411	61G0603102	CHIPR 1KOHM +-5% 1/10W
R418	61G0603102	CHIPR 1KOHM +-5% 1/10W
R420	61G0603102	CHIPR 1KOHM +-5% 1/10W
R430	61G0603102	CHIPR 1KOHM +-5% 1/10W
R433	61G0603102	CHIPR 1KOHM +-5% 1/10W
R447	61G0603102	CHIPR 1KOHM +-5% 1/10W
R456	61G0603102	CHIPR 1KOHM +-5% 1/10W
R470	61G0603102	CHIPR 1KOHM +-5% 1/10W
R483	61G0603102	CHIPR 1KOHM +-5% 1/10W
R484	61G0603102	CHIPR 1KOHM +-5% 1/10W
R701	61G0603102	CHIPR 1KOHM +-5% 1/10W
R707	61G0603102	CHIPR 1KOHM +-5% 1/10W
R731	61G0603102	CHIPR 1KOHM +-5% 1/10W
R408	61G0603103	CHIPR 10KOHM+-5% 1/10W
R413	61G0603103	CHIPR 10KOHM+-5% 1/10W
R415	61G0603103	CHIPR 10KOHM+-5% 1/10W
R416	61G0603103	CHIPR 10KOHM+-5% 1/10W
R424	61G0603103	CHIPR 10KOHM+-5% 1/10W
R425	61G0603103	CHIPR 10KOHM+-5% 1/10W



R426	61G0603103	CHIPR 10KOHM+-5% 1/10W
R458	61G0603103	CHIPR 10KOHM+-5% 1/10W
R474	61G0603103	CHIPR 10KOHM+-5% 1/10W
R475	61G0603103	CHIPR 10KOHM+-5% 1/10W
R476	61G0603103	CHIPR 10KOHM+-5% 1/10W
R477	61G0603103	CHIPR 10KOHM+-5% 1/10W
R479	61G0603103	CHIPR 10KOHM+-5% 1/10W
R488	61G0603103	CHIPR 10KOHM+-5% 1/10W
R490	61G0603103	CHIPR 10KOHM+-5% 1/10W
R491	61G0603103	CHIPR 10KOHM+-5% 1/10W
R492	61G0603103	CHIPR 10KOHM+-5% 1/10W
R495	61G0603103	CHIPR 10KOHM+-5% 1/10W
R496	61G0603103	CHIPR 10KOHM+-5% 1/10W
R708	61G0603103	CHIPR 10KOHM+-5% 1/10W
R711	61G0603103	CHIPR 10KOHM+-5% 1/10W
R714	61G0603103	CHIPR 10KOHM+-5% 1/10W
R478	61G0603104	CHIPR 100KOHM +-5% 1/10W
R446	61G0603151	CHIPR 150 OHM +-5% 1/10W
R608	61G0603200 2F	RST CHIP 20K 1/10W 1%
R605	61G0603220	CHIPR 220HM+-5% 1/10W
R448	61G0603222	CHIPR 2.2KOHM+-5% 1/10W
R449	61G0603222	CHIPR 2.2KOHM+-5% 1/10W
R728	61G0603222	CHIPR 2.2KOHM+-5% 1/10W
R607	61G0603330 2F	RST CHIP 33K 1/10W 1%
R606	61G0603333	RST CHIP 33K 1/10W 5%
R403	61G0603390 0F	3900HM +-1%
R437	61G0603471	CHIPR 4700HM+-5%1/10W
R405	61G0603472	CHIP 4.7KOHM +-5% 1/10W
R422	61G0603472	CHIP 4.7KOHM +-5% 1/10W
R450	61G0603472	CHIP 4.7KOHM +-5% 1/10W
R451	61G0603472	CHIP 4.7KOHM +-5% 1/10W
R705	61G0603472	CHIP 4.7KOHM +-5% 1/10W
R712	61G0603472	CHIP 4.7KOHM +-5% 1/10W
R717	61G0603472	CHIP 4.7KOHM +-5% 1/10W
R723	61G0603513	CHIP 51K OHM
R434	61G0603560	RST CHIP 56R 1/10W 5%
R435	61G0603560	RST CHIP 56R 1/10W 5%
R436	61G0603560	RST CHIP 56R 1/10W 5%
R438	61G0603750	CHIPR 750HM+-5%1/10W
R439	61G0603750	CHIPR 750HM+-5%1/10W

R440	61G0603750	CHIPR 750HM+-5%1/10W
ZD404	61G0805000	RST CHIP MAX 0R05 1/8W
F601	61G1206000	CHIP resistors 1/3W
F602	61G1206000	CHIP resistors 1/3W
R485	61G1206000	CHIP resistors 1/3W
R732	61G1206102	CHIP 1K 0HM 5% 1/8W
C435	65G0603102 32	CHIP 1000PF 50 X7R
C611	65G0603102 32	CHIP 1000PF 50 X7R
C612	65G0603102 32	CHIP 1000PF 50 X7R
C613	65G0603102 32	CHIP 1000PF 50 X7R
C614	65G0603102 32	CHIP 1000PF 50 X7R
C113	65G0603104 32	CHIP 0.1UF 50V X7R
C401	65G0603104 32	CHIP 0.1UF 50V X7R
C402	65G0603104 32	CHIP 0.1UF 50V X7R
C404	65G0603104 32	CHIP 0.1UF 50V X7R
C405	65G0603104 32	CHIP 0.1UF 50V X7R
C406	65G0603104 32	CHIP 0.1UF 50V X7R
C407	65G0603104 32	CHIP 0.1UF 50V X7R
C409	65G0603104 32	CHIP 0.1UF 50V X7R
C410	65G0603104 32	CHIP 0.1UF 50V X7R
C411	65G0603104 32	CHIP 0.1UF 50V X7R
C412	65G0603104 32	CHIP 0.1UF 50V X7R
C413	65G0603104 32	CHIP 0.1UF 50V X7R
C414	65G0603104 32	CHIP 0.1UF 50V X7R
C415	65G0603104 32	CHIP 0.1UF 50V X7R
C416	65G0603104 32	CHIP 0.1UF 50V X7R
C419	65G0603104 32	CHIP 0.1UF 50V X7R
C420	65G0603104 32	CHIP 0.1UF 50V X7R
C426	65G0603104 32	CHIP 0.1UF 50V X7R
C427	65G0603104 32	CHIP 0.1UF 50V X7R
C428	65G0603104 32	CHIP 0.1UF 50V X7R
C429	65G0603104 32	CHIP 0.1UF 50V X7R
C430	65G0603104 32	CHIP 0.1UF 50V X7R
C439	65G0603104 32	CHIP 0.1UF 50V X7R
C440	65G0603104 32	CHIP 0.1UF 50V X7R
C441	65G0603104 32	CHIP 0.1UF 50V X7R
C445	65G0603104 32	CHIP 0.1UF 50V X7R
C446	65G0603104 32	CHIP 0.1UF 50V X7R
C447	65G0603104 32	CHIP 0.1UF 50V X7R
C448	65G0603104 32	CHIP 0.1UF 50V X7R

C603	65G0603104 32	CHIP 0.1UF 50V X7R
C604	65G0603104 32	CHIP 0.1UF 50V X7R
C701	65G0603104 32	CHIP 0.1UF 50V X7R
C706	65G0603104 32	CHIP 0.1UF 50V X7R
C709	65G0603104 32	CHIP 0.1UF 50V X7R
C711	65G0603104 32	CHIP 0.1UF 50V X7R
C720	65G0603104 32	CHIP 0.1UF 50V X7R
C421	65G0603220 31	CHIP 22PF 50V NPO
C423	65G0603220 31	CHIP 22PF 50V NPO
C443	65G0603221 31	CAP:CER 220PF 5% 50V SMT
C442	65G0603470 31	CHIP 47PF 50V NPO
C432	65G0603473 32	CHIP 47NF 50V X7R
C433	65G0603473 32	CHIP 47NF 50V X7R
C434	65G0603473 32	CHIP 47NF 50V X7R
C436	65G0603473 32	CHIP 47NF 50V X7R
C437	65G0603473 32	CHIP 47NF 50V X7R
C438	65G0603473 32	CHIP 47NF 50V X7R
C417	65G0805105 22	CHIP 1UF 25V X7R 0805
C425	65G0805105 22	CHIP 1UF 25V X7R 0805
C444	65G0805105 22	CHIP 1UF 25V X7R 0805
C708	65G0805105 22	CHIP 1UF 25V X7R 0805
FB401	71G 56K121 M GP	CHIP BEAD 120OHM T
FB402	71G 56K121 M GP	CHIP BEAD 120OHM T
FB403	71G 56K121 M GP	CHIP BEAD 120OHM T
FB404	71G 56K121 M GP	CHIP BEAD 120OHM T
FB405	71G 56K121 M GP	CHIP BEAD 120OHM T
FB406	71G 56K121 M GP	CHIP BEAD 120OHM T
FB407	71G 56K121 M GP	CHIP BEAD 120OHM T
FB413	71G 56K121 M GP	CHIP BEAD 120OHM T
FB701	71G 56K121 M GP	CHIP BEAD 120OHM T
D407	93G 64 42 P	BAV70 DIODE
D403	93G 6433P	BAV99 SOT-23
D404	93G 6433P	BAV99 SOT-23
D405	93G 6433P	BAV99 SOT-23
ZD401	93G 39S 34 T	ZENER DIODE UDZS5.6B
ZD402	93G 39S 34 T	ZENER DIODE UDZS5.6B
ZD403	93G 39S 34 T	ZENER DIODE UDZS5.6B
ZD405	93G 39S 34 T	ZENER DIODE UDZS5.6B
ZD406	93G 39S 34 T	ZENER DIODE UDZS5.6B
ZD407	93G 39S 34 T	ZENER DIODE UDZS5.6B

ZD408	93G 39S 34 T	ZENER DIODE UDZS5. 6B
ZD409	93G 39S 34 T	ZENER DIODE UDZS5. 6B
ZD410	93G 39S 34 T	ZENER DIODE UDZS5. 6B
ZD411	93G 39S 34 T	ZENER DIODE UDZS5. 6B
ZD412	93G 39S 34 T	ZENER DIODE UDZS5. 6B
ZD413	93G 39S 34 T	ZENER DIODE UDZS5. 6B
ZD414	93G 39S 34 T	ZENER DIODE UDZS5. 6B
D602	93G5004 2	SSM54PT SMA DIODE 5A 40V
	715G1590 1	MAIN BOARD PCB
	SMTKEPC6JA9	KEYBOARD FOR SMT
CN102	33G3802 2H	WAFTER
CN103	33G3802 2H	WAFTER
CN101	33G8027 12 H	WAFER 2*6P 2. 0mm R/A
R103	61G 60210152T	CFR 1/6W 1000HM +-5%
R104	61G 60210152T	CFR 1/6W 1000HM +-5%
R101	61G 60251152T	CFR 1/6W 5100HM +-5%
R102	61G 60251152T	CFR 1/6W 5100HM +-5%
SW1	77G 600 1GCJ	Switch
SW2	77G 600 1GCJ	Switch
SW3	77G 600 1GCJ	Switch
SW4	77G 600 1GCJ	Switch
SW5	77G 600 1GCJ	Switch
D101	81G 12 1F GP	LED
CN104	88G 30211K	PHONE JOCK
J1	95G 900 58	WIRE HARNESS
ZD101	93G 39S 34 T	ZENER DIODE UDZS5. 6B
ZD102	93G 39S 34 T	ZENER DIODE UDZS5. 6B
ZD103	93G 39S 34 T	ZENER DIODE UDZS5. 6B
ZD104	93G 39S 34 T	ZENER DIODE UDZS5. 6B
ZD105	93G 39S 34 T	ZENER DIODE UDZS5. 6B
	715G1591 2	KEPC PCB
	PW521CP1SMTP	POWER BOARD FOR SMT
W901	9G6005 1	PIN FOOT
CN801	33G8020 2D AC	CONN, 2P R/A DIP BY ACES
CN802	33G8020 2D AC	CONN, 2P R/A DIP BY ACES
CN902	33G8027 12	WAFER 2*6P 2. 0MM R/A
	40G 45762412B	CBPC LABEL
	51G 6 45056863	RTV Glue
IC902	56G 139 3A	PC123Y22FZOF
VAR901	61G 46 9	10471

NR901	61G 58080 WT	NTCR
C903	63G 10747410S	0.47UF +-10% 250VAC
C816	65G 3J2206ET	22PF 5% 3KV TDK
C817	65G 3J5096ET	5PF 5% SL 3KV
C901	65G306M1022BM	Y1. CAP. 001UF 250VAC MURA
C902	65G306M1022BM	Y1. CAP. 001UF 250VAC MURA
C921	65G306M1022BM	Y1. CAP. 001UF 250VAC MURA
C909	67G215L102 4N	LOW ESR 1000UF 25V
C912	67G215L102 4N	LOW ESR 1000UF 25V
C811	67G215L471 4Q	LOW ESR EC 470UF 25V UH
C906	67G215L471 4Q	LOW ESR EC 470UF 25V UH
C911	67G215L471 4Q	LOW ESR EC 470UF 25V UH
C905	67G215S10115Q	LOWESR EC 100UF 450V PAG
FB901	71G 55 29	Φ 3.5*Φ 0.8*2.2\ 100MM>
L903	73G 253 91 LS	CHOKE COIL
L904	73G 253 91 LS	CHOKE COIL
L901	73L 174 53 LG GP	LINE FILTER
L902	73L 174 55 LG GP	LINE FILTER
PT801	80GL15T 30 DN	X' FMR 74uH TK. 2026. 101
T901	80LL19T 7 LG GP	TRANSFORMER
CN301	88G 30214K	PHONE JACK 5PIN
BD901	93G 50460900	GBU408
D901	93G 6026T52T	FR107-DO-41 1000V/1A
D905	93G 6038T52T	FR103 DO-41 200V/1A
CN302	95G8013 3704 X	HARNESS
	705G 560 57S44	R905 ASS' Y
	705G 780 57S7P	Q903 ASS' Y
	705GJ5K0 61001	R904 ASS' Y
	705GJ5K0 87001	CN901 ASS' Y
	705GJ5K0 93001	D902 ASS' Y
	705GJ5K0 93002	D904 ASS' Y
	705GJ5K0 95001	JP907 ASS' Y
	PW521CP1AIP	POWER FOR AI
IC901	56G 379 76	IC LD7552BPS SOP-8
IC801	56G 608 10	OZ9938GN SOIC-16
Q801	57G 417 4	PMBS3904/PLILIPS
Q802	57G 417 4	PMBS3904/PLILIPS
Q803	57G 417 4	PMBS3904/PLILIPS
Q902	57G 417 4	PMBS3904/PLILIPS
Q901	57G 417 6	PMBS3906 PNP

Q804	57G 759 2	TRANSISTOR RK7002 SOT-3
Q806	57G 759 2	TRANSISTOR RK7002 SOT-3
Q807	57G 759 2	TRANSISTOR RK7002 SOT-3
Q808	57G 759 2	TRANSISTOR RK7002 SOT-3
Q805	57G 763 14	AM9945N-T1-PF SOIC-8
R839	61G0805000	RST CHIP MAX 0R05 1/8W
R844	61G0805000	RST CHIP MAX 0R05 1/8W
R925	61G0805000	RST CHIP MAX 0R05 1/8W
RJ824	61G0805000	RST CHIP MAX 0R05 1/8W
R836	61G0805100	RST CHIP 10R 1/8W 5%
R837	61G0805100	RST CHIP 10R 1/8W 5%
R826	61G0805100 2F	RST CHIP 10K 1/8W 1%
R915	61G0805101	RST CHIP 100R 1/8W 5%
R923	61G0805102	CHIPR 1K OHM +-5% 1/10W
R924	61G0805102	CHIPR 1K OHM +-5% 1/10W
R926	61G0805102	CHIPR 1K OHM +-5% 1/10W
R803	61G0805103	CHIP 10KOHM 1/10W
R804	61G0805103	CHIP 10KOHM 1/10W
R812	61G0805103	CHIP 10KOHM 1/10W
R820	61G0805103	CHIP 10KOHM 1/10W
R919	61G0805103	CHIP 10KOHM 1/10W
R810	61G0805104	RST CHIP 100K 1/8W 5%
R815	61G0805104	RST CHIP 100K 1/8W 5%
R821	61G0805104	RST CHIP 100K 1/8W 5%
R813	61G0805105	RST CHIP 1M 1/8W 5%
R816	61G0805105	RST CHIP 1M 1/8W 5%
R845	61G0805105	RST CHIP 1M 1/8W 5%
R847	61G0805105	RST CHIP 1M 1/8W 5%
R848	61G0805105	RST CHIP 1M 1/8W 5%
R809	61G0805204	RST CHIPR 200 KOHM +-5%
R807	61G0805220	RST CHIP 22R 1/8W 5%
R840	61G0805242	RST CHIP 2K4 1/8W 5%
R841	61G0805242	RST CHIP 2K4 1/8W 5%
R922	61G0805243 1F	RST CHIPR 2.43 KOHM +-1%
R825	61G0805271	CHIPR 270 OHM +-50% 1/8W
R912	61G0805272	RST CHIP 2K7 1/8W 5%
R802	61G0805304	RST CHIPR 300 KOHM +-5%
R920	61G0805330 2F	CHIP 33KOHM 1/10W/1%
R838	61G0805360 0F	RST CHIPR 360 OHM +-1% 1
R921	61G0805360 1F	CHIP 3.6KOHM 1/10W 1%

R817	61G0805360 2F	RST CHIPR 36 KOHM +-1% 1
R843	61G0805471	RST CHIP 470R 1/8W 5%
R913	61G0805472	RST CHIP 4K7 1/8W 5%
R811	61G0805473	RST CHIP 47K 1/8W 5%
R827	61G0805510 1F	RST CHIPR 5.1 KOHM +-1%
R814	61G0805563	RST CHIP 56K 1/8W 5%
D906	61G1206000	CHIP resistors 1/3W
JR902	61G1206000	CHIP resistors 1/3W
R801	61G1206000	CHIP resistors 1/3W
R918	61G1206100	RST CHIP 10R 1/4W 5%
R930	61G1206100 3F	RST CHIPR 100 KOHM +-1%
R906	61G1206101	CHIP 1000HM 5% 1/8W
R916	61G1206101	CHIP 1000HM 5% 1/8W
R927	61G1206101	CHIP 1000HM 5% 1/8W
R934	61G1206101	CHIP 1000HM 5% 1/8W
R935	61G1206101	CHIP 1000HM 5% 1/8W
R936	61G1206101	CHIP 1000HM 5% 1/8W
R937	61G1206101	CHIP 1000HM 5% 1/8W
R806	61G1206105	CHIP 1MOHM 5% 1/8W
R818	61G1206150	RST CHIP 15R 1/4W 5%
R819	61G1206150	RST CHIP 15R 1/4W 5%
R808	61G1206204	RST CHIPR 200 KOHM +-5%
R909	61G1206434	RST CHIPR 430 KOHM +-5%
R910	61G1206434	RST CHIPR 430 KOHM +-5%
R931	61G1206434	RST CHIPR 430 KOHM +-5%
R805	61G1206471	RST CHIP 470R 1/4W 5%
R911	61G1206472	CHIP 4.7KOHM 5% 18W
R914	61G1206519	CHIP resistors 1/3W
R901	61G1206684	CHIPR 680KOHM +-5% 1/8W
R902	61G1206684	CHIPR 680KOHM +-5% 1/8W
R903	61G1206684	CHIPR 680KOHM +-5% 1/8W
R907	61G1206684	CHIPR 680KOHM +-5% 1/8W
R908	61G1206684	CHIPR 680KOHM +-5% 1/8W
R932	61G1206684	CHIPR 680KOHM +-5% 1/8W
C805	65G0805102 32	CHIP 1000PF 50V X7R 0805
C917	65G0805102 32	CHIP 1000PF 50V X7R 0805
C807	65G0805103 32	CHIP 10000 PF 50V X7R 08
C803	65G0805104 22	CHIP 0.1UF 25VX7R 0805
C907	65G0805104 22	CHIP 0.1UF 25VX7R 0805
C910	65G0805104 22	CHIP 0.1UF 25VX7R 0805

C915	65G0805104 22	CHIP 0.1UF 25VX7R 0805
C916	65G0805104 22	CHIP 0.1UF 25VX7R 0805
C801	65G0805104 32	CHIP 0.1UF 50V X7R 0805
C820	65G0805104 32	CHIP 0.1UF 50V X7R 0805
C821	65G0805104 32	CHIP 0.1UF 50V X7R 0805
C822	65G0805104 32	CHIP 0.1UF 50V X7R 0805
C806	65G0805105 22	CHIP 1UF 25V X7R 0805
C918	65G0805105 22	CHIP 1UF 25V X7R 0805
C804	65G0805155 A2	1.5 UF 10V
C802	65G0805221 31	CHIP 220PF 50V NPO
C818	65G0805271 31	CHIP 270pF 50V NPO 0805
C919	65G0805471 21	CHIP 470PF 25V NPO 0805
C812	65G0805472 31	CHIP 4700PF 50V X7R 080
C813	65G0805472 31	CHIP 4700PF 50V X7R 080
C823	65G0805472 31	CHIP 4700PF 50V X7R 080
C824	65G0805472 31	CHIP 4700PF 50V X7R 080
C809	65G0805473 32	SMD 47NF +-10% 50V
C819	65G0805473 32	SMD 47NF +-10% 50V
C810	65G080556131G	MLCC 0805 560PF G 50V NP
C808	65G0805682 32	CHIP 6.8nF 50V X7R 0805
C932	65G1206102 72	CHIP 1000PF 500V X7R
C914	65G1206104 32	CHIP 0.1UF 25V X7R 1206
C931	65G1206222 72	CHIP 2200PF 500V X7R
C933	65G1206222 72	CHIP 2200PF 500V X7R
D802	93G 64 33	BAV99 SOT-23
D801	93G 64 42 PP	DIODE BAV70 SOT-23
D803	93G 64 44 S	CHIP DIODE LL4148WP
D804	93G 64 44 S	CHIP DIODE LL4148WP
D903	93G 64 44 S	CHIP DIODE LL4148WP
ZD904	93G 39S 17 T	RLZ12B LLDS
ZD903	93G 39S 19 T	PTZ7.5B
ZD901	93G 39S 23 T	GLZ22B
ZD801	93G 39S 24 T	RLZ5.6B ROHM
ZD902	93G 39S 25 T	RLZ5.1B ROHM
ZD905	93G 39S 44 T	RLZ18B LLDS
CN901	6G 31500	2.0MM EYELET
C905	6G 31502	1.5MM RIVET
L901	6G 31502	1.5MM RIVET
L902	6G 31502	1.5MM RIVET
PT801	6G 31502	1.5MM RIVET



Q903	6G 31502	1. 5MM RIVET
R904	6G 31502	1. 5MM RIVET
T901	6G 31502	1. 5MM RIVET
IC903	56G 158 10 T	IC AZ431AZ-AE1 TO-92
R928	61G 20022152T	2200HM 1% 1/4W
R822	61G212Y305 KT	MGFR 3M OHM +-5% 1/2W
C930	65G 1K152 1T	1500PF +/-10% 1KV Y5P
C922	67G 2152207NT	22UF/50V
F901	84G 55 7W	250V/3. 15A FUSE
F902	84G 55 7W	250V/3. 15A FUSE
	715G2152 F	PCB
R905	61G152M10458G	100K OHM 5% 2W
	96G 29 6	SHRINK TUBE UL/CSA
	51G 200 1 6342	Coolant Oil
Q903	57G 667 30	2SK2645-54MR TO-220F
	90G6084 1	HEAT SINK
XN01A	AM1G1730 8120	SCREW
R904	61G 2J68858G	0. 68 OHM 5% 2W
	96G 29 6	SHRINK TUBE UL/CSA
CN901	87G 501 36 S	AC SOCKET
	95G 900703 X	WIRE HARNESS
	96G 29 6	SHRINK TUBE UL/CSA
	51G 200 1 6342	Coolant Oil
	90G6084 1	HEAT SINK
D902	93G 60245	DIODE SP10150 ITO-220
XN01A	AM1G1730 8120	SCREW
	51G 200 1 6342	Coolant Oil
	90G6084800	HEAT SINK
D904	93G 60245	DIODE SP10150 ITO-220
XN01A	AM1G1730 8120	SCREW
	96G 29 1	H. S. TUBE
	44GP503 1A 1	PAPER PAD-1
	44GP503 1A 2	PAPER PAD-2
	44GP503 1A 3	PAPER PAD-3