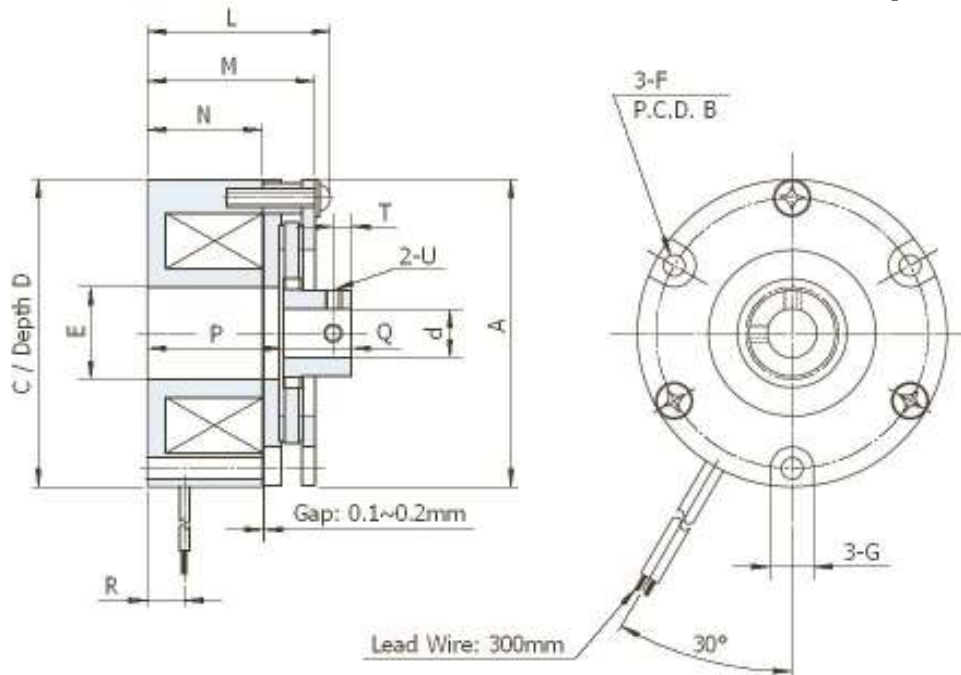


MCNB

Micro EM Spring-Applied Brake

Types: 2, 5, 10

[EM: Electromagnet]



| MCNB | | 2G | 2H | 5G | 5H | 10G | 10H |
|---|-------------------|-----------------------|-----|-----------------------|------|-----------------------|------|
| Static Torque [in-lbs / N-m] | | 1.8 / 0.2 | | 4.4 / 0.5 | | 8.9 / 1 | |
| Coil (20°C) | Voltage [DC-V] | 24 | 45 | 24 | 45 | 24 | 45 |
| | Resistance [Ω] | 135 | 400 | 89 | 350 | 66 | 270 |
| | Wattage [W] | 5 | | 7 | | 9 | |
| Armature | Pull-In Time [ms] | 20 | | 25 | | 30 | |
| | Release Time [ms] | 5 | | 5 | | 10 | |
| Moment of Inertia (J) [kg-cm ²] | | 0.01 | | 0.033 | | 0.085 | |
| Max Work Rate [W] | | 5 | | 10 | | 18 | |
| Total Energy Until Life [J] | | 2.8 x 10 ⁶ | | 5.3 x 10 ⁶ | | 6.0 x 10 ⁶ | |
| Dimensions [mm] | Bore [mm] | dH8 | 8 | 8 | 10 | 10 | 10 |
| | A | | 40 | 50 | 63 | 63 | 63 |
| | B | | 34 | 44 | 54 | 54 | 54 |
| | Ch9 | | 40 | 50 | 63 | 63 | 63 |
| | D | | 3 | 3 | 3 | 3 | 3 |
| | E | | 10 | 15 | 22 | 22 | 22 |
| | F | | 3.5 | 3.5 | 4.5 | 4.5 | 4.5 |
| | G | | 7 | 7 | 9 | 9 | 9 |
| | L | | 30 | 30 | 31 | 31 | 31 |
| | M | | 27 | 27 | 27 | 27 | 27 |
| | N | | 20 | 18.7 | 17.8 | 17.8 | 17.8 |
| | P | | 23 | 22 | 21 | 21 | 21 |
| | Q | | 10 | 11 | 13 | 13 | 13 |
| | R | | 6 | 6 | 6 | 6 | 6 |
| | T | | 3 | 3 | 4 | 4 | 4 |
| U | | M3 | M3 | M4 | M4 | M4 | |
| Weight [lbs / kg] | | 0.42 / 0.19 | | 0.62 / 0.28 | | 0.95 / 0.43 | |



Old Version

[with spline hub]

[1" = 25.4mm]