

# RED INDICATES ORIGINAL

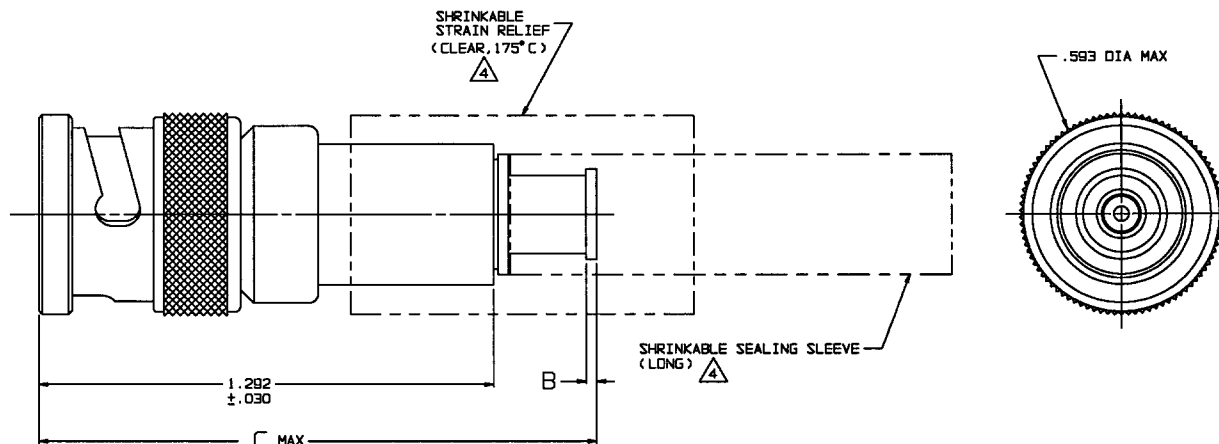
DATA CONTAINED IN THIS DOCUMENT IS PROPRIETARY TO TROMPETER ELECTRONICS, INC. AND SHALL NOT BE DISCLOSED, COPIED OR USED FOR PROCUREMENT OR MANUFACTURE WITHOUT EXPRESS WRITTEN PERMISSION.

REV		EO	DESCRIPTION	DWN	APPROVED	DATE
N	12087		-306 & -308 TAI-218 WAS TAI-168; SEE ECO	DKC	<i>[Signature]</i>	8/26/97

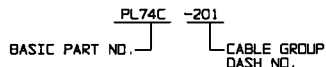
DASH NO	CABLES ACCOMMODATED	A HEX	B DIM	C MAX	ASSEMBLE PER
-201	M17/176-00002	.344	.030	1.70	TAI-168
-202	TWC-78-1				
-203	TWC-124-1A				
-204	10602, RAYCHEM				
-205	TWAC-78-1F2				
-206	782600130 RAYCHEM				
-207	83310, BELDEN				
-208	202-3927, MICRODOT				
-209	202-3942, MICRODOT				
-210	8451, BELDEN				
-211	202-3934, MICRODOT				
-212	2524E0114, RAYCHEM				
-213	TWC-78-2				
-214	TWC-124-2				
-215	BL982, TIMES				
-216	BL1242, TIMES				
-217	GCB75TM24H, GRUMMAN				
-218	EDP221888, RAYCHEM				
-219	252601114, RAYCHEM				
-220	GCB75RR1, GRUMMAN				
-221	10614, RAYCHEM				
-222	10613, RAYCHEM				
-223	HMS2-1149, HUGHES				

DASH NO	CABLES ACCOMMODATED	A HEX	B DIM	C MAX	ASSEMBLE PER
-301	GCB75GC1, GRUMMAN	.344	.030	1.70	TAI-168
-302	GCB75GB1, GRUMMAN				
	5022E5111, RAYCHEM				
-303	7528A5E14, RAYCHEM				
-304					
-305	M17/177-00001, THERMATICS				
-306	TRC-50-2				
	M17/134-00002				
-307	TRC-75-1				
-308	TRC-75-2				
-309	TRC-50-1				

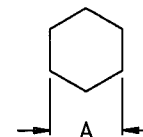
INCH	MM
.005	0.13
.030	0.76
.344	8.74
.593	15.06
1.25	31.75
1.00	25.40
1.282	32.82
1.44	36.58
1.70	43.18
1.75	44.45



5. EXAMPLE OF COMPLETE MODEL NO:



-202 SHOWN



RECOMMENDED  
HEX CRIMP  
SCALE: 2/1

- A** 1 SHRINKABLE STRAIN RELIEF AND/OR SHRINKABLE SEALING SLEEVE SUPPLIED LOOSE AS FOLLOWS:
- a. CABLE GROUPS -201 THROUGH -210, -217 THROUGH -303, -305, -307 & -309
    - 1 SHRINKABLE STRAIN RELIEF (1.00 LONG)
    - 1 SHRINKABLE SEALING SLEEVE (1.25 LONG)
  - b. CABLE GROUPS -211 THROUGH -216 & -306 & -308
    - 1 SHRINKABLE STRAIN RELIEF (1.75 LONG)
3. 2-LUG BAYONET CONCENTRIC TWINAX/TRIAX TRB, FULL CRIMP CABLE PLUG
2. FINISH: TFS-1A (NICKEL)
1. ALL DIM ARE IN INCHES

QTY	DESCRIPTION	PART NUMBER	ITEM
TOL UNLESS SPECIFIED .001 ± .002 ± .005 ± .0000 ± ANGLES ±	<b>TROMPETER ELECTRONICS, INC.</b>	PL74C	
DWN DKC 8-4-97	MATERIAL	CODE IDENT	DRAWING NO.
CHK 12/24/97		14949	310-0055
ENGR	SCALE 4/1	DATE 4/3/85	REV N
APPR			SHEET 1 OF 2