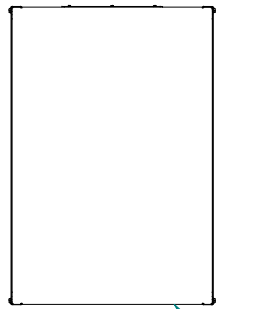
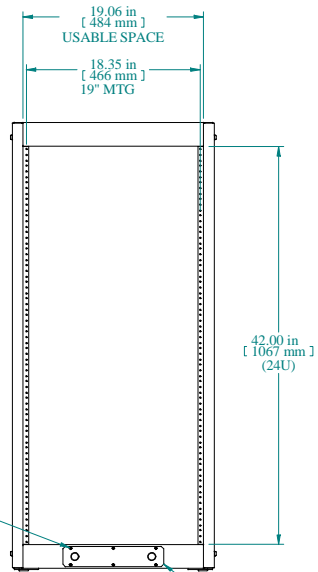


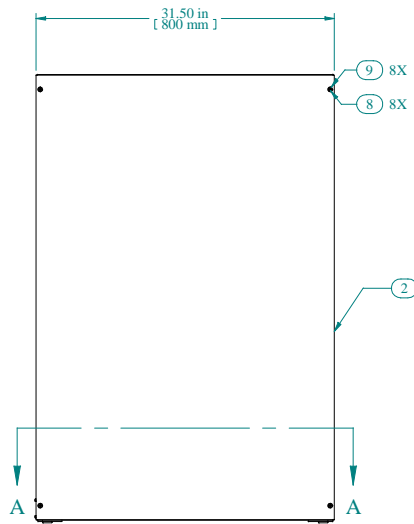
SECTION A-A



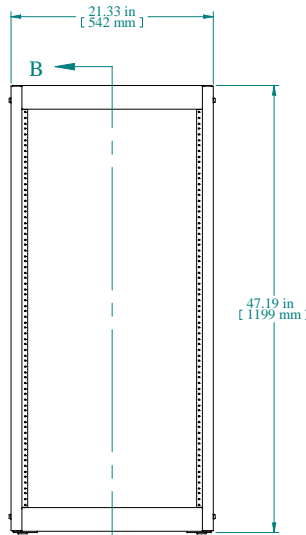
TOP VIEW



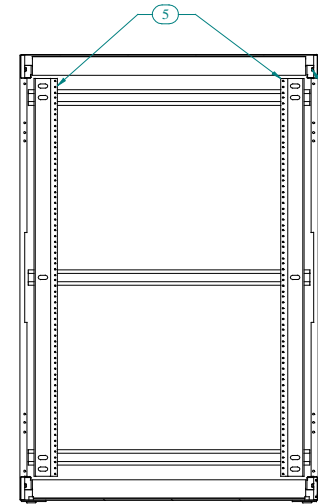
REAR VIEW



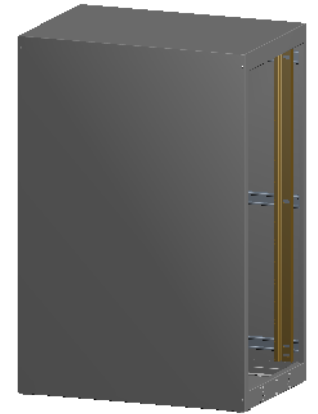
L.S. VIEW



FRONT VIEW



SECTION B-B



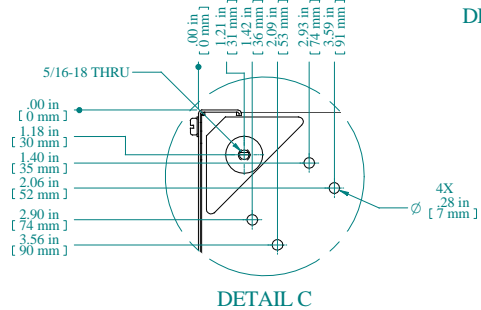
Item Number	Title	Quantity
1	REFK - TOP PANEL	1
2	REFK - SIDE PANEL	2
3	REFK - BOTTOM PANEL	1
4	REFK - GLAND PLATE	1
5	COMBINATION RAILS TAPPED (PAIR)	2
6	SCREW 6-32X1/4 SELF TAPPING	6
7	NUT 1/4-20 KEP	8
8	SCREW 1/4-20 X 1/2	8
9	FLAT NYLON WASHER 1/4" ID.	8

PART NUMBERS

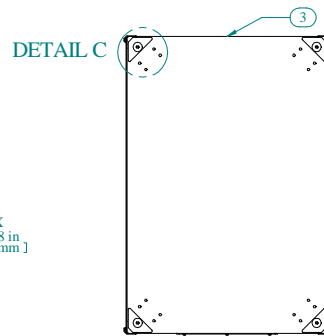
REFK1904231BK1	PAINTED BLACK TEXTURED
REFK1904231CG1	PAINTED CONT. GRAY TEXTURED
REFK1904231LG1	PAINTED RAL7035 TEXTURED

NOTES

Shipped knockdown for handling ease & protection.



DETAIL C



BOTTOM VIEW

Data subject to change without notice. Isometric drawing not to scale.

