

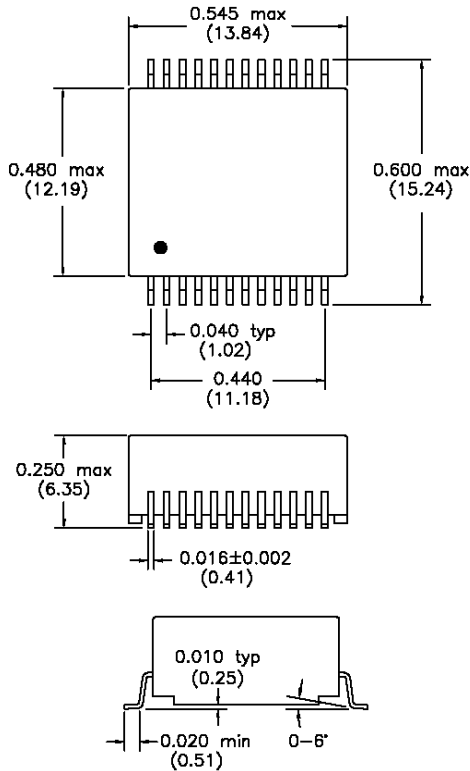


Remote Power – Dual Port, NJ Package 10/100BASE-TX Magnetic Modules



HALO Electronics offers a complete family of dual port, “Remote Power”, solutions. Available in both commercial and industrial temperature ranges. Designed to meet the requirements of IEEE802.3af with 350 mA current capability.

NJ Package



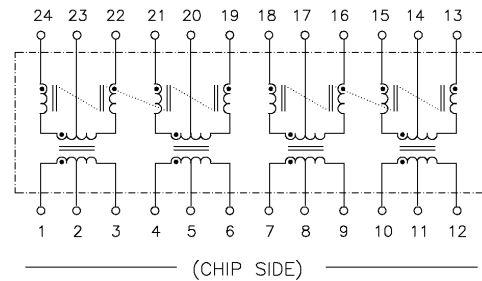
DIMENSIONS : Inch(mm)
CO-PLANARITY : 0.004(0.10)

Patented Construction, Pat. No. 5,656,985

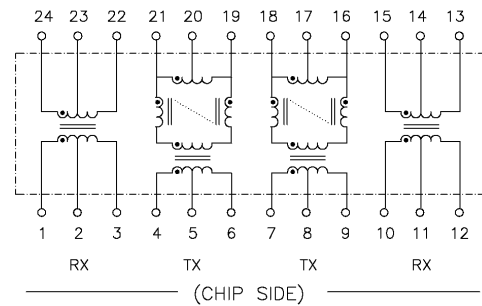
Electrical Specifications @ 25°C

Isolation Voltage: 1,500Vrms
 Turns Ratio, TX & RX: 1CT:1CT
 Insertion Loss (0.1-100MHz): -1.1dB max
 OCL @100KHz, 8mA: 350µH min
 (over full temp. range)

Circuit Diagram A



Circuit Diagram B



Return Loss

0.5-30MHz: -18dB min
 40MHz: -15.5dB min
 50MHz: -13.6dB min
 60-80MHz: -12dB min

Part Number	Temp Range	PRI/SEC Cw/w (pF typ)	PRI DCR (Ω max)	CMR (.1-100MHz)	Crosstalk (1-100MHz)	Circuit Diagram
TG110-RP06NJ	0 to 70C	25	0.9	-38dB typ	-38dB typ	A
TG110-RP07NJ	0 to 70C	25	0.9	-40dB typ*	-40dB typ	B
TG110-RPE12NJ	-40 to +85C	25	1.0	-38dB typ	-38dB typ	A

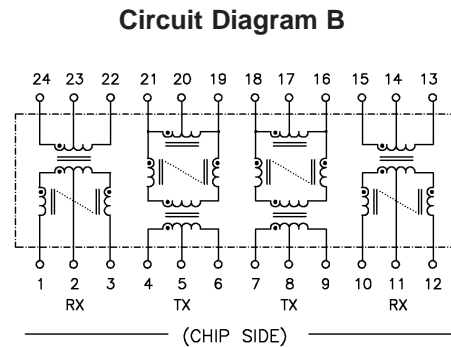
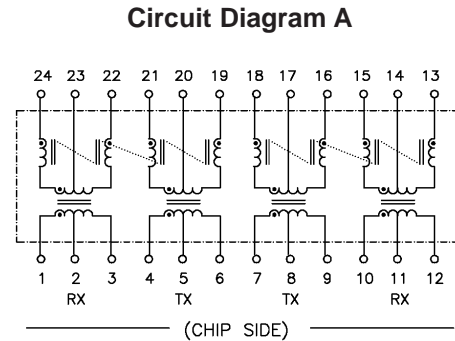
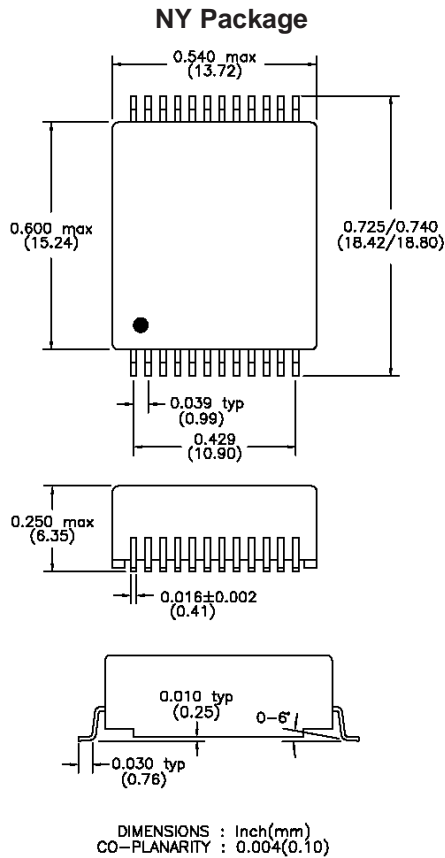
*TX only



Remote Power – Dual Port, NY Package 10/100BASE-TX Magnetic Modules



HALO Electronics offers a complete family of dual port, “Remote Power”, solutions. Available in both commercial and industrial temperature ranges. Designed to meet the requirements of IEEE802.3af with 350 mA current capability.



Patented Construction, Pat. No. 5,656,985

Electrical Specifications @ 25°C

Isolation Voltage: 1,500Vrms
 Turns Ratio, TX & RX: 1CT:1CT
 Insertion Loss (0.1-100MHz): -1.1dB max
 OCL @100KHz, 8mA: 350µH min
 (over full temp. range)

Return Loss

0.5-30MHz: -18dB min
 40MHz: -15.5dB min
 50MHz: -13.6dB min
 60-80MHz: -12dB min

Part Number	Temp Range	PRI/SEC Cw/w (pF typ)	PRI DCR (Ω max)	CMR (.1-100MHz)	Crosstalk (1-100MHz)	Circuit Diagram
TG110-RP05NY	0 to 70C	25	0.9	-40dB typ	-40dB typ	B
TG110-RP10NY	0 to 70C	25	0.9	-38dB typ	-38dB typ	A
TG110-RPE11NY	-40 to +85C	25	1.0	-38dB typ	-38dB typ	A

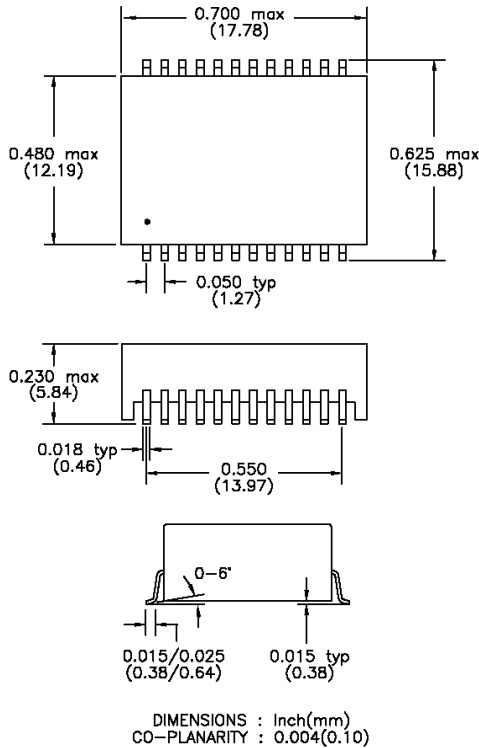


Remote Power – Dual Port, NZ Package 10/100BASE-TX Magnetic Modules

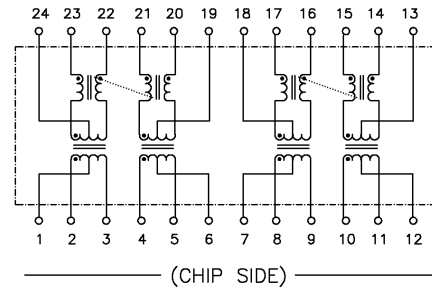


HALO Electronics offers a complete family of dual port, "Remote Power", solutions. Available in both commercial and industrial temperature ranges. Designed to meet the requirements of IEEE802.3af with 350 mA current capability. Auto-MDIX compatible. Standard devices are available for most leading silicon vendors' Phy's.

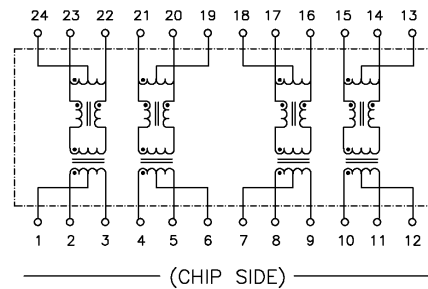
NZ Package



Circuit Diagram A



Circuit Diagram B



Patented Construction, Pat. No. 5,656,985

Electrical Specifications @ 25°C

Isolation Voltage: 1,500Vrms
 Turns Ratio, TX & RX: 1CT:1CT
 Insertion Loss (0.1-100MHz): -1.1dB max
 OCL @100KHz, 8mA: 350µH min
 (over full temp. range)

Return Loss

0.5-30MHz: -18dB min
 40MHz: -15.5dB min
 50MHz: -13.6dB min
 60-80MHz: -12dB min

Part Number	Temp Range	PRI/SEC Cw/w (pF typ)	PRI DCR (Ω max)	CMR (.1-100MHz)	Crosstalk (1-100MHz)	Circuit Diagram
TG110-RP01NZ	0 to 70C	25	0.9	-38dB typ	-38dB typ	A
TG110-RP03NZ	0 to 70C	25	0.9	-40dB typ	-40dB typ	B
TG110-RPE9NZ	-40 to +85C	25	1.0	-38dB typ	-38dB typ	A