

Copper Compression Connectors

YAV_DM_KS Line

Hylug® German Industrial Line

Non-insulated copper tubular terminals 6 - 400 mm²

Description

- Range of copper tube formed terminals taking wires from 6 - 400 mm²
- YAV-DM terminals with sight hole = omit "KS". Ex. YAV025DM8

Construction

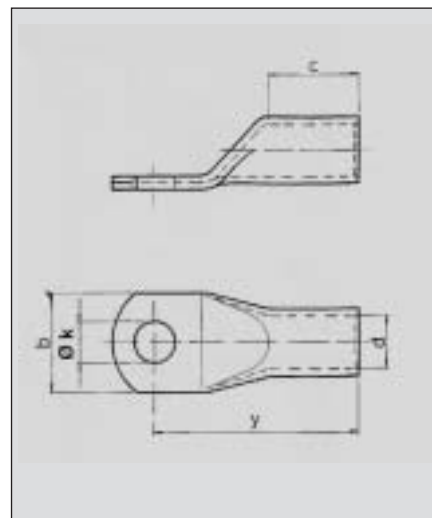
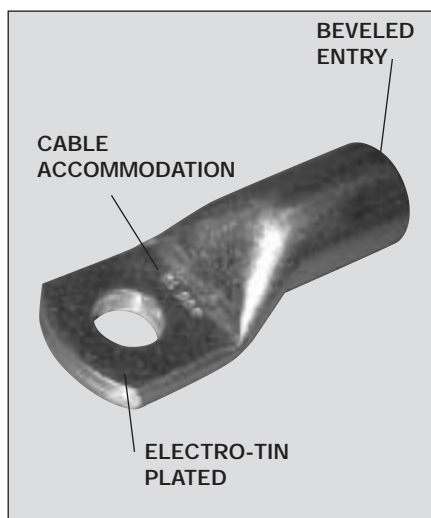
- Electrolytic copper tube, electro tinned

Performance

- Heat resistant up to +125°C

Tooling

- The indicated numbers in the tooling table refer to pages 48 - 63.



mm ²	Stud Hole size	Cat. No.	d	y	b	c	Øk	Pack Qty	Mech. tools	Hydraulic tools	
									Tooling number	Y500CT	Y35/Y35BH
										BCT500	Y750/Y750BH
		Hexagonal		Hexagonal							
6	M5	YAV06DM5KS	3,5	20,5	10,0	9,0	5,3	100	16	W06DGE1T	
	M6	YAV06DM6KS	3,5	20,5	12,0	9,0	6,4				
	M8	YAV06DM8KS	3,5	23,0	15,0	9,0	8,4				
	M10	YAV06DM10KS	3,5	25,0	17,0	9,0	10,5				
	M12	YAV06DM12KS	3,5	26,0	19,0	9,0	13,2				
10	M5	YAV010DM5KS	4,5	22,5	12,0	10,0	5,3	100	16	W010DGE1T	U010DGE1T
	M6	YAV010DM6KS	4,5	22,5	12,0	10,0	6,4				
	M8	YAV010DM8KS	4,5	25,0	15,0	10,0	8,4				
	M10	YAV010DM10KS	4,5	27,0	17,0	10,0	10,5				
	M12	YAV010DM12KS	4,5	28,0	19,0	10,0	13,2				
16	M5	YAV016DM5KS	5,5	26,0	12,0	13,0	5,3	100	16 - 20	W016DGE1T	U016DGE1T
	M6	YAV016DM6KS	5,5	27,0	12,0	13,0	6,4				
	M8	YAV016DM8KS	5,5	29,0	15,0	13,0	8,4				
	M10	YAV016DM10KS	5,5	31,0	17,0	13,0	10,5				
	M12	YAV016DM12KS	5,5	32,5	19,0	13,0	13,2				
25	M5	YAV025DM5KS	7,0	30,0	14,0	15,0	5,3	100	16 - 20	W025DGE1T	U025DGE1T
	M6	YAV025DM6KS	7,0	30,0	14,0	15,0	6,4				
	M8	YAV025DM8KS	7,0	32,5	16,0	15,0	8,4				
	M10	YAV025DM10KS	7,0	34,5	18,0	15,0	10,5				
	M12	YAV025DM12KS	7,0	35,5	19,0	15,0	13,2				
	M14	YAV025DM14KS	7,0	36,5	21,0	15,0	15,0				
35	M6	YAV035DM6KS	8,5	32,5	17,0	17,0	6,4	100	16 - 20	W035DGE1T	U035DGE1T
	M8	YAV035DM8KS	8,5	35,0	17,0	17,0	8,4				
	M10	YAV035DM10KS	8,5	37,0	19,0	17,0	10,5				
	M12	YAV035DM12KS	8,5	38,0	21,0	17,0	13,2				
	M14	YAV035DM14KS	8,5	39,5	21,0	17,0	15,0				
	M16	YAV035DM16KS	8,5	41,0	26,0	17,0	17,0				
50	M6	YAV050DM6KS	10,0	37,0	20,0	19,0	6,4	100	16 - 20	W050DGE1T	U050DGE1T
	M8	YAV050DM8KS	10,0	37,0	20,0	19,0	8,4				
	M10	YAV050DM10KS	10,0	39,0	20,0	19,0	10,5				
	M12	YAV050DM12KS	10,0	40,0	23,0	19,0	13,2				
	M14	YAV050DM14KS	10,0	41,5	23,0	19,0	15,0				
	M16	YAV050DM16KS	10,0	43,0	26,0	19,0	17,0				
	M20	YAV050DM20KS	10,0	46,0	30,0	19,0	21,0				
70	M6	YAV070DM6KS	12,0	43,0	20,0	21,0	6,4	100	20	W070DGE1T	U070DGE1T
	M8	YAV070DM8KS	12,0	43,0	23,0	21,0	8,4				
	M10	YAV070DM10KS	12,0	45,0	23,0	21,0	10,5				
	M12	YAV070DM12KS	12,0	46,0	23,0	21,0	13,2				
	M14	YAV070DM14KS	12,0	47,5	23,0	21,0	15,0				
	M16	YAV070DM16KS	12,0	49,0	26,0	21,0	17,0				
	M20	YAV070DM20KS	12,0	52,0	30,0	21,0	21,0				

N= Nest die, I= Indentor

Copper Compression Connectors

YAV_DM_KS Line

Hylug®

Non-insulated copper tubular terminals

mm ²	Stud Hole size	Cat. No.	d	y	b	c	Øk	Pack Qty	Mech. tools	Hydraulic tools	
									Tooling number	Y500CT	Y35/Y35BH
										BCT500	Y750/Y750BH
								Hexagonal	Hexagonal		
95	M8	YAV95DM8KS	13,5	48,0	26,0	25,0	8,4	50	20	W095DGE1T	U095DGE1T
	M10	YAV95DM10KS	13,5	48,0	26,0	25,0	10,5				
	M12	YAV95DM12KS	13,5	49,0	26,0	25,0	13,2				
	M14	YAV95DM14KS	13,5	50,2	26,0	25,0	15,0				
	M16	YAV95DM16KS	13,5	52,0	28,0	25,0	17,0				
	M20	YAV95DM20KS	13,5	58,0	36,0	25,0	21,0				
120	M8	YAV120DM8KS	15,0	51,0	28,0	26,0	8,4	50	20	W120DGE1T	U120DGE1T
	M10	YAV120DM10KS	15,0	51,0	28,0	26,0	10,5				
	M12	YAV120DM12KS	15,0	51,0	28,0	26,0	13,2				
	M14	YAV120DM14KS	15,0	52,0	28,0	26,0	15,0				
	M16	YAV120DM16KS	15,0	53,0	30,0	26,0	17,0				
	M20	YAV120DM20KS	15,0	59,0	36,0	26,0	21,0				
150	M8	YAV150DM8KS	16,5	58,0	31,0	30,0	8,4	50		W150DGE1T	U150DGE1T
	M10	YAV150DM10KS	16,5	58,0	31,0	30,0	10,5				
	M12	YAV150DM12KS	16,5	58,0	31,0	30,0	13,2				
	M14	YAV150DM14KS	16,5	58,0	31,0	30,0	15,0				
	M16	YAV150DM16KS	16,5	58,0	31,0	30,0	17,0				
	M20	YAV150DM20KS	16,5	64,0	36,0	30,0	21,0				
185	M10	YAV185DM10KS	19,0	65,0	35,0	30,0	10,5	50		W185DGE1T	U185DGE1T
	M12	YAV185DM12KS	19,0	65,0	35,0	30,0	13,2				
	M14	YAV185DM14KS	19,0	65,0	35,0	30,0	15,0				
	M16	YAV185DM16KS	19,0	65,0	35,0	30,0	17,0				
	M20	YAV185DM20KS	19,0	69,0	39,0	30,0	21,0				
240	M10	YAV240DM10KS	21,0	72,0	39,0	35,0	10,5	50			U240DGE1T
	M12	YAV240DM12KS	21,0	72,0	39,0	35,0	13,2				
	M14	YAV240DM14KS	21,0	72,0	39,0	35,0	15,0				
	M16	YAV240DM16KS	21,0	72,0	39,0	35,0	17,0				
	M20	YAV240DM20KS	21,0	72,0	39,0	35,0	21,0				
300	M12	YAV300DM12KS	23,4	87,0	43,0	44,0	13,2	25			U300DGE1T
	M14	YAV300DM14KS	23,4	87,0	43,0	44,0	15,0				
	M16	YAV300DM16KS	23,4	87,0	43,0	44,0	17,0				
	M20	YAV300DM20KS	23,4	87,0	43,0	44,0	21,0				
400	M12	YAV400DM12KS	26,7	90,0	49,0	44,0	13,2	20			
	M14	YAV400DM14KS	26,7	90,0	49,0	44,0	15,0				
	M16	YAV400DM16KS	26,7	90,0	49,0	44,0	17,0				
	M20	YAV400DM20KS	26,7	90,0	49,0	44,0	21,0				