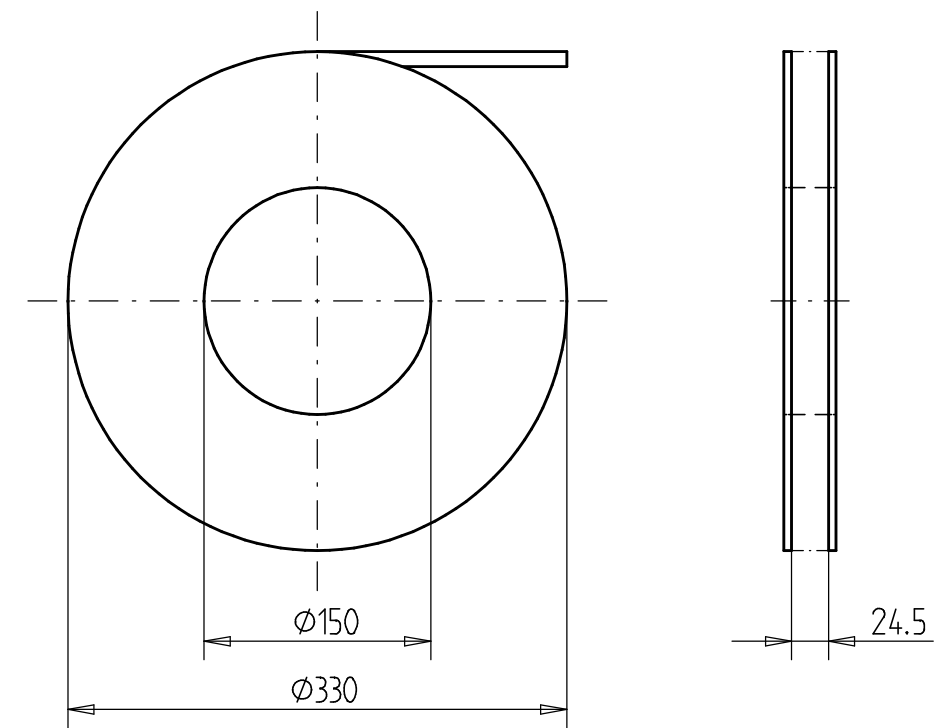
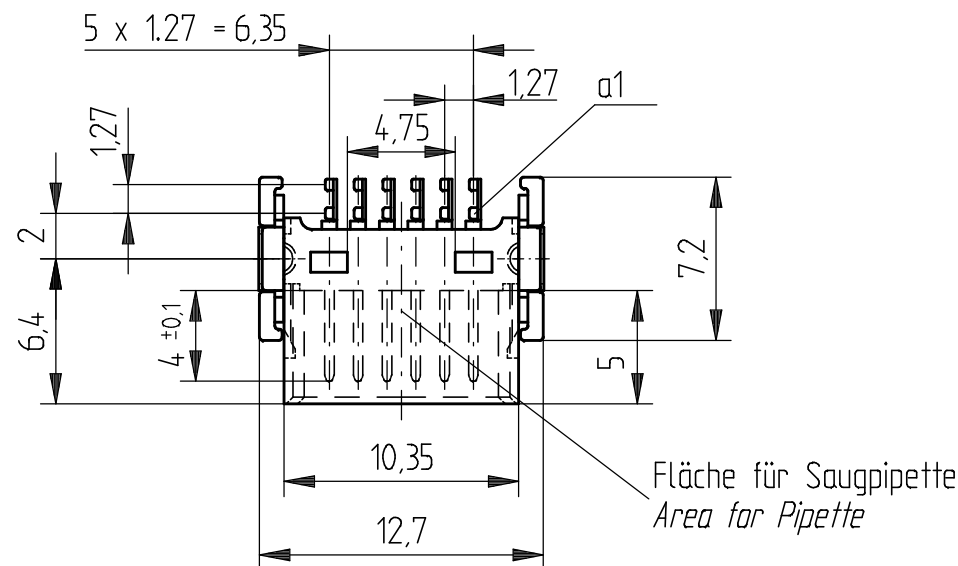
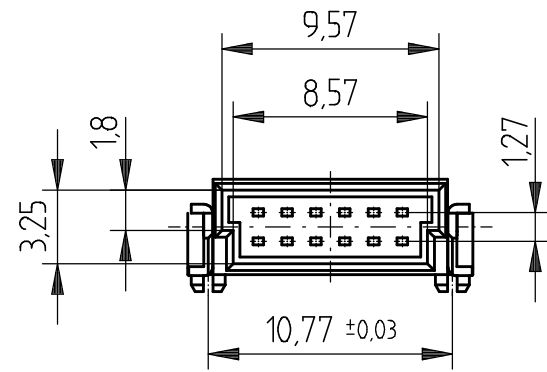
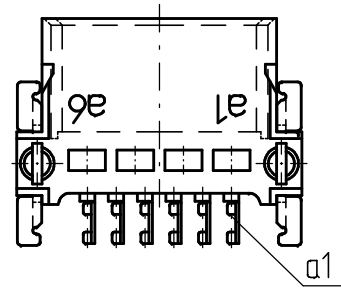
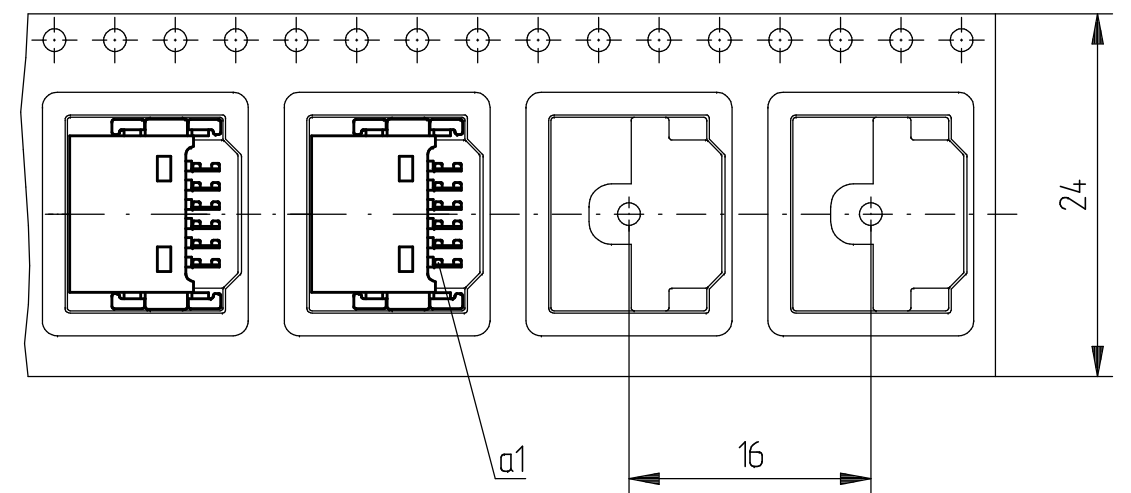


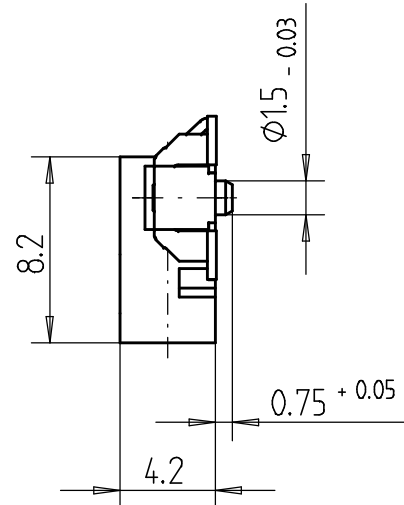
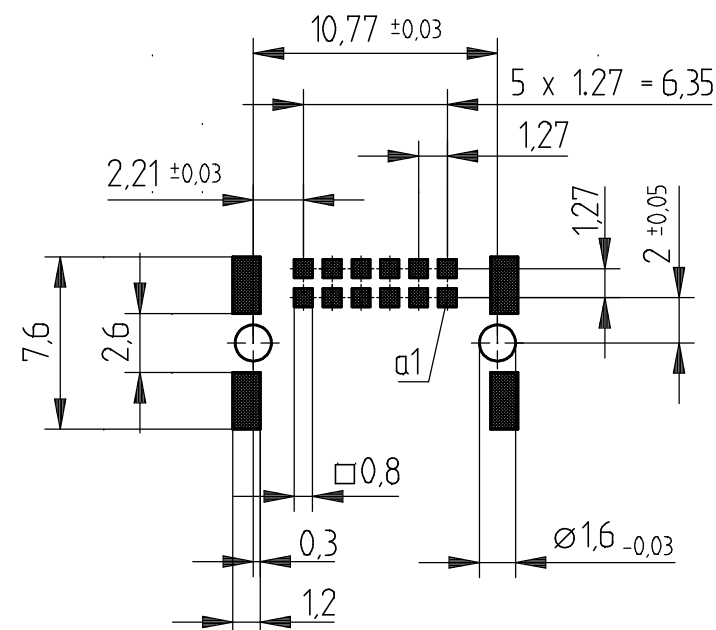
Verpackt in Gurtverpackung - *Tape on Reel Packaging*  
 Verpackungseinheit: 560 Stück - *Packaging unit: 560 pcs*



Abspulrichtung - *Reel off Direction*



Leiterplatten-Lay-out Vorschlag für SMT  
 PCB-Lay-out Proposal for SMT



Standard Bauhöhe

Standard Assembly Height

Anforderungsstufe 1  
 Performance Level 1

Kontaktbereich vergoldet  
 Mating Area gold plating

Anschlussbereich verzinkt 4-6 µm  
 Terminal Area 4-6 µm tin plating

Koplanarität der Anschlüsse ≤ 0.1mm  
 Coplanarity Area of Termination ≤ 0.1 mm

Consider protection memo from DIN 34

Information:		Tolerances	All Dimensions in mm	Scale	3:1	Standard Bauhöhe Standard Assembly Height	
All rights reserved. Only for information. To insure that this is the latest version of this drawing, please contact one of the ERNI companies before using.		Subject to modification without prior notice. Drawing will not be updated.		Designation		Messerleiste SMC-B, 12 polig Male Conn. SMC-B, 12 contacts	
		www.ERNI.com		100101240001		K1	
e	05.04.2004	H:00070055.SZA		SMCB			
Index	Date						