

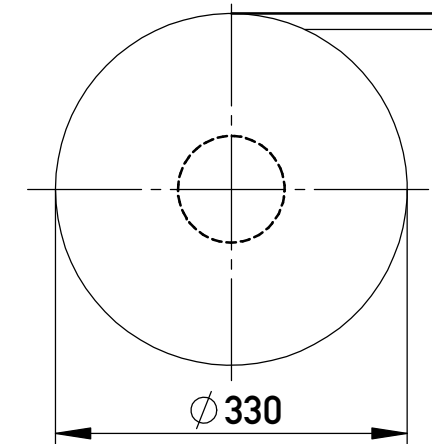
Verpackt in Gurtverpackung  
 Tape on Reel Packaging  
 Verpackungseinheit: 280 Stück  
 Packaging unit: 280 pcs

Anforderungsstufe 1  
 Performance Level 1

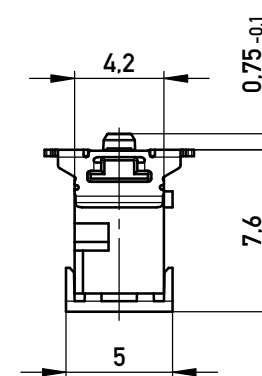
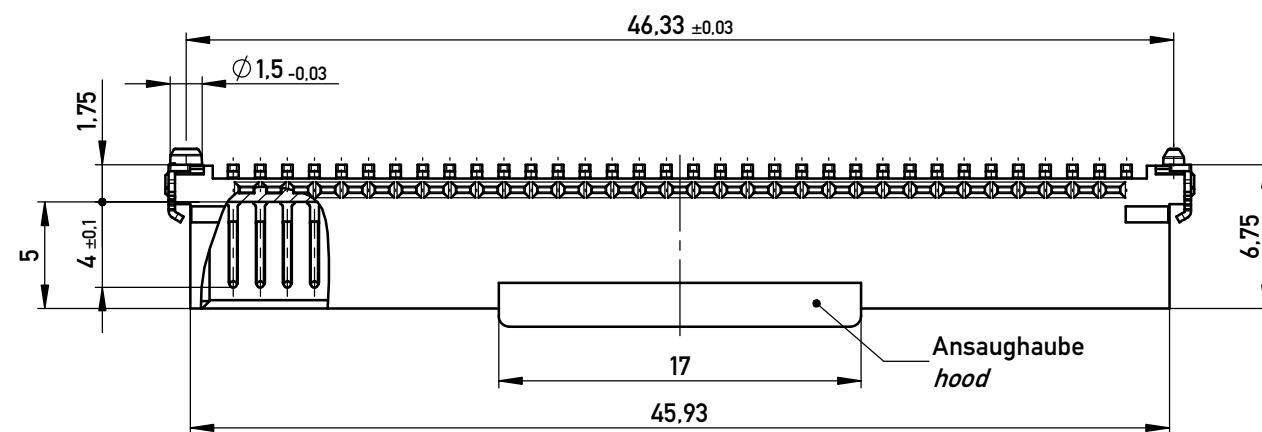
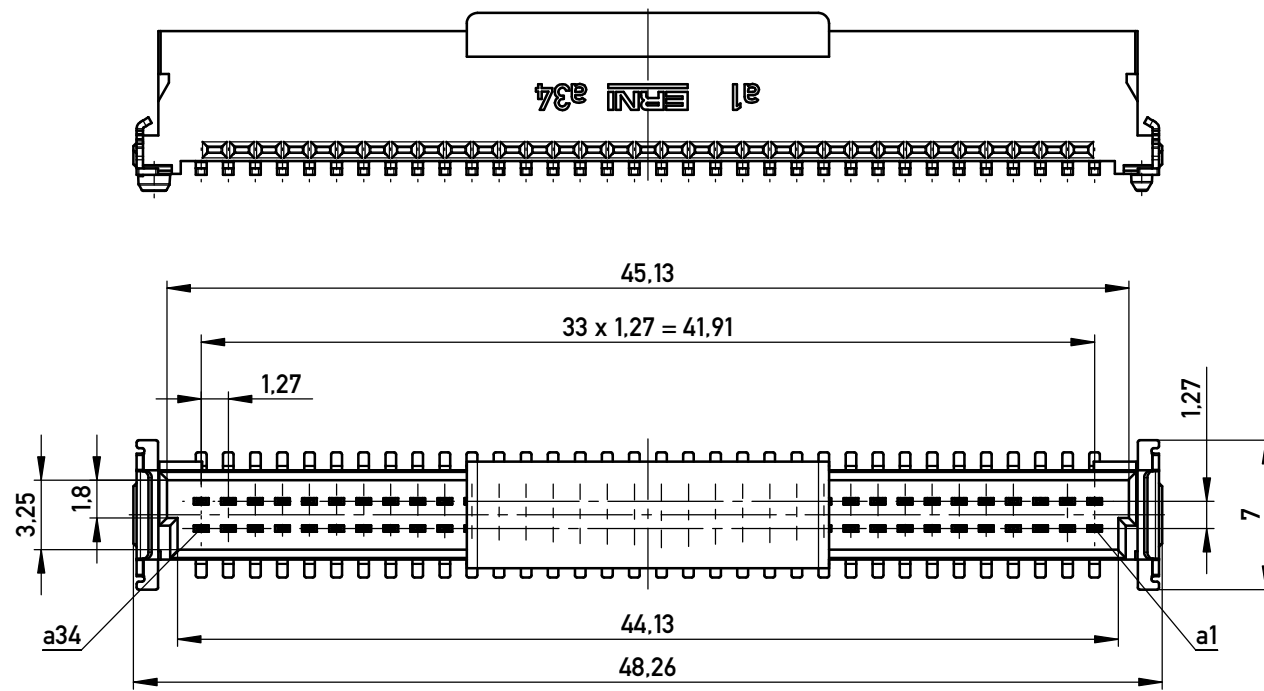
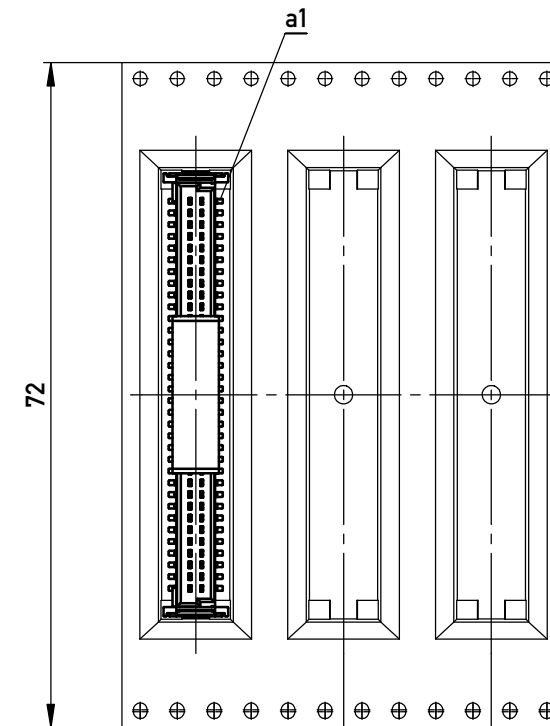
Kontaktbereich vergoldet  
 Mating Area gold plating

Anschlussbereich verzinkt 4-6 µm  
 Terminal Area 4-6 µm tin plating

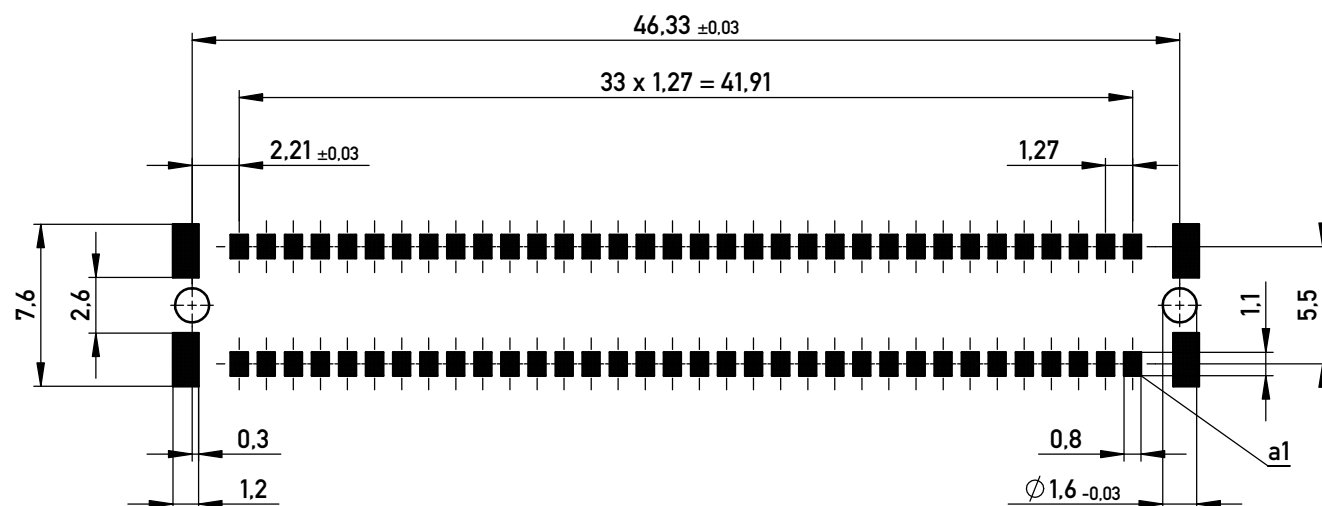
Koplanarität der Anschlüsse ≤ 0,1 mm  
 Coplanarity Area of Termination ≤ 0,1 mm



Abspulrichtung - Reel off Direction



Leiterplatten-Layout Vorschlag für SMT  
 PCB-Layout Proposal for SMT



BA 8-13 - 8mm Bauhöhe  
 type 8-13 - Low Profile

Information:  All rights reserved. Only for Information. To ensure that this is the latest version of this drawing, please contact one of the ERNI companies before using.	Tolerances All Dimensions in mm	Scale 3:1	Designation <b>Messl. SMC-Q 68-SMD-BA8-13</b> <b>Male SMC-Q 68-SMD-type8-13</b>	
	Subject to modification without prior notice. Drawing will not be updated.		www.ERNI.com <b>100103140004</b>	
d	23.07.2013	Class		K
Index	Date	SMCQ		A3

Copyright by ERNI GmbH  
 Proprietary notice pursuant to ISO 16016 to be observed.