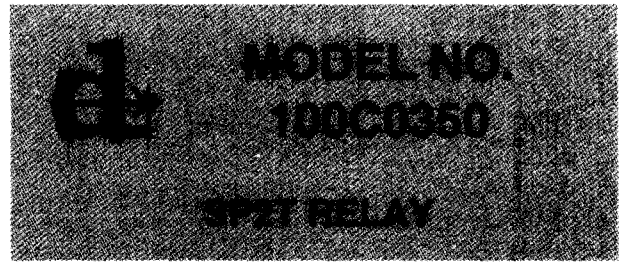
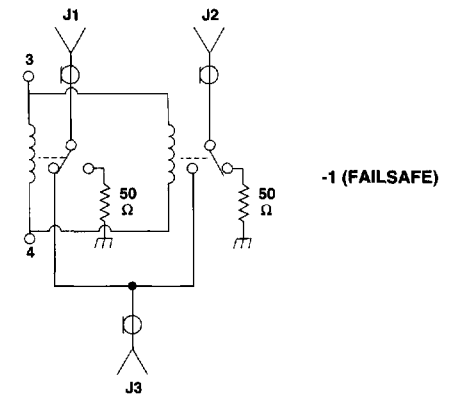
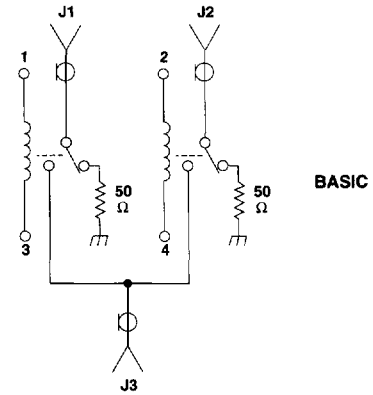
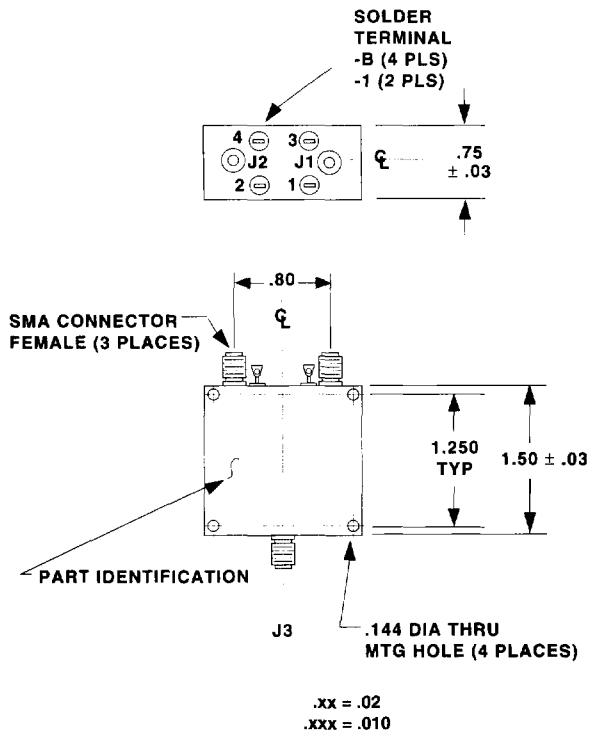


FEATURES

- DC - 150 MHz
- 0.75 dB Insertion Loss
- 110 dB Isolation
- Non-Reflective
- SMA Connectors

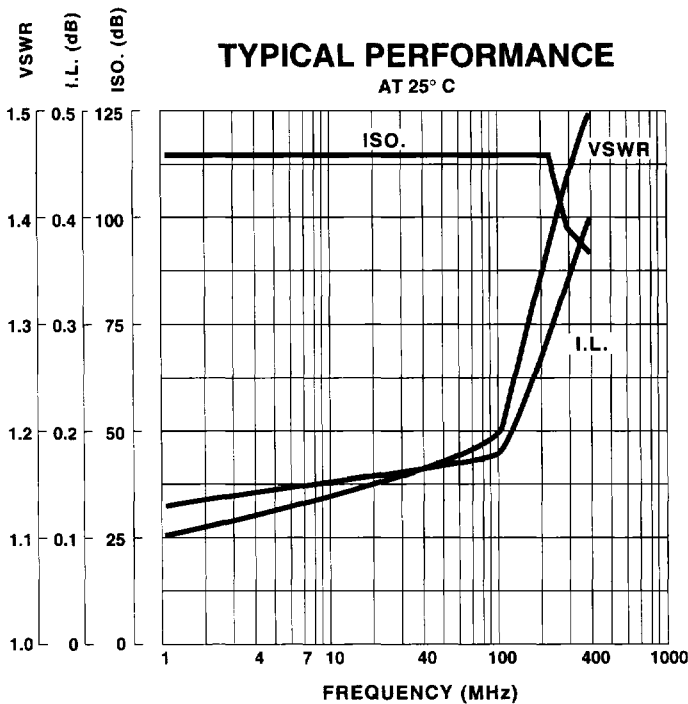


SP2T



TYPICAL PERFORMANCE

AT 25° C



GUARANTEED PERFORMANCE

PARAMETER	MIN	TYP	MAX	UNITS	CONDITIONS
OPERATING FREQUENCY	DC		150	MHz	
DC VOLTAGE					SEE TABLE
INSERTION LOSS		0.2	0.75	dB	
ISOLATION	100	110		dB	
VSWR:	THRU	1.3/1	1.4/1		
IMPEDANCE		50		OHMS	
SWITCHING SPEED			3	mSEC	
RF POWER:	OPERATE		2.5	W	CW
OPERATING TEMPERATURE	-55	+25	+85	°C	TA

CONTROL VOLTAGE TABLE		
VOLTAGE	CURRENT - TYPICAL	FAILSAFE
6	130 mA PER THROW	240
12	64 mA PER THROW	125
18	42 mA PER THROW	85
26	34 mA PER THROW	70

PART NO. EXAMPLE
100C0350 - 1 - 12

Basic
Part Number

- 1 (Fail-safe)
- B (Basic) Standard
if not specified.

Specify Coil Voltage,
see table
(26V standard
if not specified).