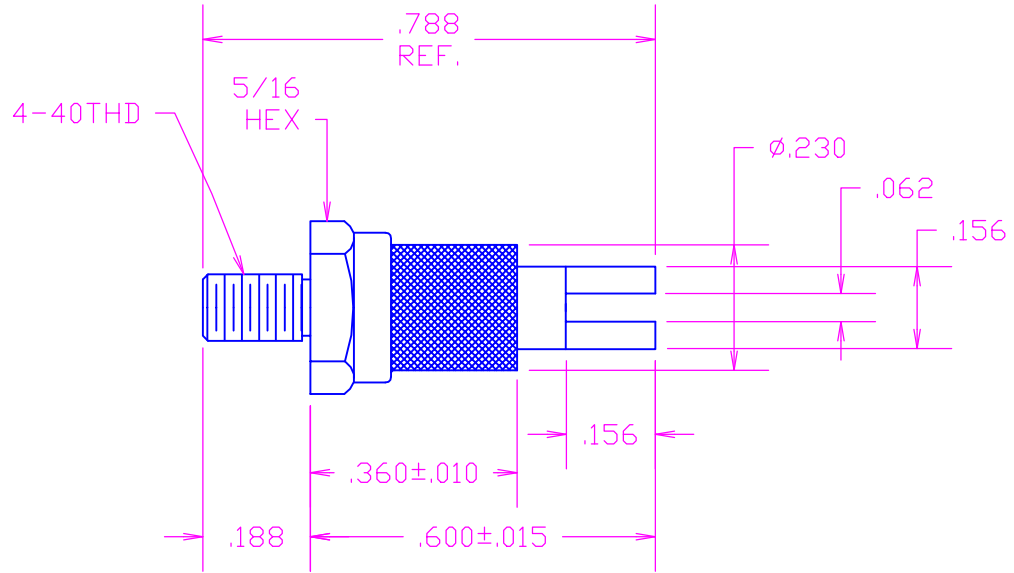


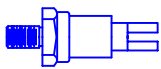
DATE	SYM	REVISION	RECORD	AUTH.	DR.	CK.
					NT	



(XX)COLOR CODE:
 10-BLACK
 11-BROWN
 12-RED
 13-ORANGE
 14-YELLOW
 15-GREEN
 16-BLUE
 17-VIOLET
 18-GRAY
 19-WHITE(NATURAL)

MATERIAL: PIN AND BASE- BRASS PER ASTM B16,
 ALLOY C 36000,1/2HARD
 BUSHING-PTFE PER ASTM D1710
 COLOR(XX)- SEE COLOR CODE
 FINISH: PIN- .0003"MIN. ELECTRO-SOLDER PER MIL-P-81728,
 OVER .0001"MIN. COPPER
 BASE- .0001MIN. ELECTRO-TIN PER MIL-T-10727,
 TYPE II, OVER COPPER FLASH

ACTUAL SIZE



TOLERANCES (EXCEPT AS NOTED)	CONCORD ELECTRONICS CORPORATION		
DECIMAL ± .005	P/N	SCALE 3:1	30 GREAT JONES ST. NEW YORK N.Y. 10012
FRACTIONAL ± 1/64	TITLE TERMINAL		
ANGULAR	DATE 9-8-95	DRAWING NUMBER 1125-38-05XX	