

# MICRO SWITCH

FREERPORT, ILLINOIS, U.S.A.  
A DIVISION OF HONEYWELL  
FED. MFG. CODE 91929

## SWITCH-TOGGLE

CATALOG LISTING  
**12TW867-50**  
SERIES CHART 1

THIS DRAWING COVERS A PROPRIETARY ITEM AND IS THE PROPERTY OF MICRO SWITCH, A DIVISION OF HONEYWELL. THIS DRAWING IS NOT TO BE COPIED OR USED WITHOUT THE APPROVAL OF MICRO SWITCH.

### ELECTRICAL DATA

CODE L117 5A-125 VAC



CATALOG LISTING  
**M 12TW867-50** SERIES CHART 1  
PAGE 1 OF 1

REPLACES 12TW867-50 SERIES  
RELEASE NO. CO-78465

ISSUE  
1

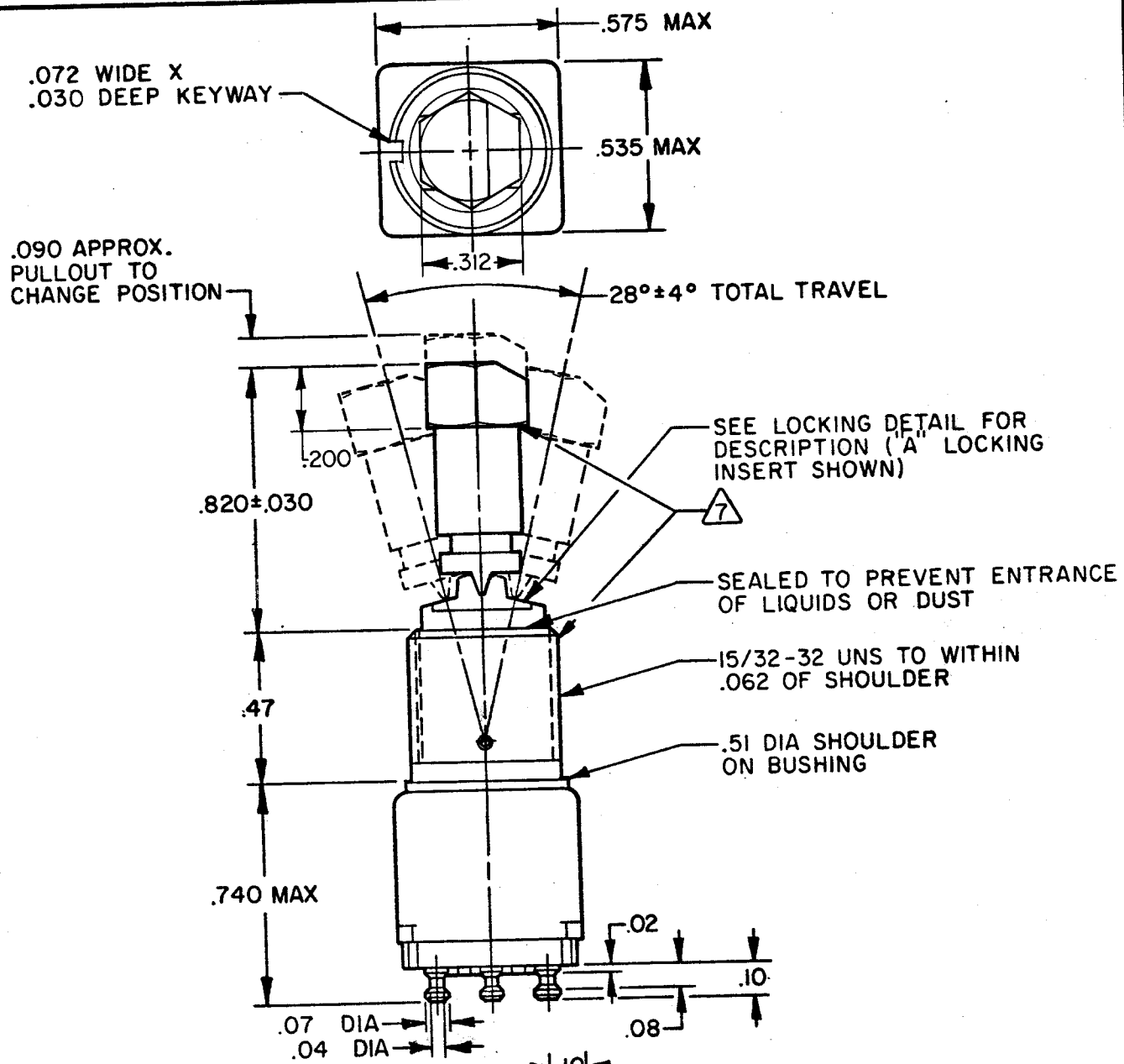
CHECK

REVISIONS

CHECK

DLT 10 JUN 94 CHECK KAG 23 JUN 94

DRAWN



THIRD ANGLE PROJECTION

SCALE 2:1

DO NOT SCALE PRINT

TOLERANCES  
APPLY TO DESIGN UNITS. CONVERSIONS ARE ONLY FOR REFERENCE. UNLESS NOTED, TOLERANCES ARE ±

DIM.	TOL.	DIM.	TOL.
mm	mm/in	in	mm/in
NO PLACES	X	17.04	0.87/03
ONE PLACE	X,X	0.41/018	0.38/015
TWO PLACES	X,XX	0.15/008	0.13/005
THREE PLACES	X,XXX		
ANGLES			

DESIGN UNITS  METRIC  US CUSTOMARY

RAW MATERIAL—COMMERCIAL STANDARD  
MICRO SWITCH STANDARDS APPLY  
DIMENSIONS ARE TO BE MET BEFORE  
PROTECTIVE COATINGS ARE APPLIED

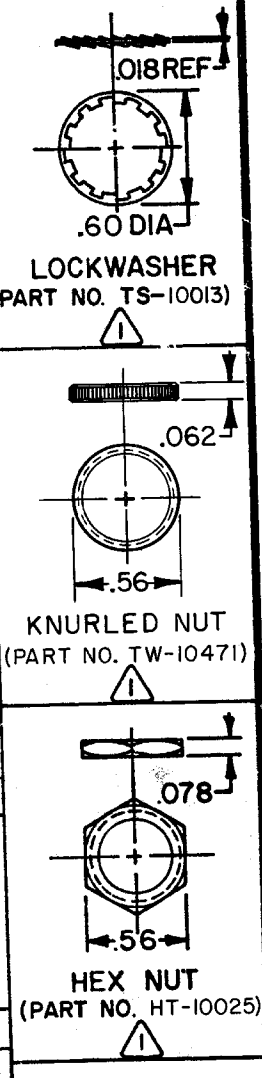
CATALOG LISTING	AVAILABLE LOCKING COMBINATIONS FOR CONFIGURATION SEE LETTERED DETAILS
12TW867-50	E, F, K, L, M, N

"A"	"B"	"D"	"E"	"F"
LOCKED IN THREE POSITIONS	LOCKED IN CENTER AND EXTREME POSITION (KEYWAY SIDE)	LOCKED OUT OF CENTER POSITION	LOCKED IN CENTER POSITION	LOCKED IN EXTREME POSITION (OPPOSITE KEYWAY)
"G"	"H"	"J"	"K"	"L"
LOCKED IN EXTREME POSITION (KEYWAY SIDE)	LOCKED OUT OF CENTER AND EXTREME POSITION (KEYWAY SIDE)	LOCKED OUT OF CENTER AND EXTREME POSITION (OPPOSITE KEYWAY)	LOCKED IN CENTER AND EXTREME POSITION (OPPOSITE KEYWAY)	LOCKED OUT OF EXTREME POSITION (KEYWAY SIDE)
"M"	"N"	"P"		
LOCKED OUT OF AND INTO EXTREME POSITION (OPPOSITE KEYWAY)	LOCKED OUT OF EXTREME POSITION (OPPOSITE KEYWAY)	LOCKED OUT OF AND INTO EXTREME POSITION (KEYWAY SIDE)		

CIRCUIT MADE WITH TOGGLE LEVER IN 4		
KEYWAY SIDE	CENTER	OPPOSITE KEYWAY
MOMENTARY POSITION	MAINTAINED POSITION	MAINTAINED POSITION



- NOTES
- ① FURNISHED UNASSEMBLED - BULK PACK
  - ② SUFFIX MUST BE ADDED FOR DESIRED TYPE TOGGLE LOCKING
  - ③ TERMINALS ARE PLATED FOR SOLDERING
  - ④ APPLIES ONLY TO "ON" AND "MOMENTARY ON" POSITIONS
  - ⑤ KEYWAY SHOWN ON LEFT SIDE
  - ⑥ GOLD PLATED CONTACTS
  - ⑦ MATTE FINISH