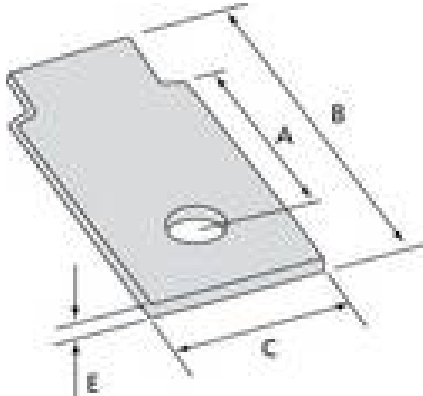


Dragon Tooth®

T&B Catalog Number: 210MT38
UPC Number: 78621083930
Description: Connector Insulation Piercing Splices
 1.00x1.44x.82, 20,000 - 105,000 CMA

Status: Active



General

Stud Size 3/8

Dimension Information

A (inches)	1.00
B (inches)	1.44
C (inches)	.82
D (inches)	-
E (inches)	.09

Specifications

Circular Mil Area	20,000 - 105,000
Round Wire Range AWG	5 -13

Packaging

T&B Order Multiple	25
T&B Inner Pack	25
Package in Units	250
T&B Sold in UOM	Each
T&B Weight Per UOM	3.92 lbs. per 100

Application Support

Product Selector	DT_prod_selector_modular
Overview	Available on Website
Connector & Tooling Chart	Available on Website

Notes

Wire sizes and combinations shown have been tested to and meet or exceed Thomas & Betts specifications. Connectors may be suitable for other wire sizes or combinations. Thomas & Betts sells these connectors with the understanding that the user will perform necessary tests to determine their suitability for the intended purpose.

Certifications

RoHS Compliance	Yes
-----------------	-----

For further technical assistance, please contact us...

Thomas & Betts - USA
 8155 T&B Blvd.
 Memphis, TN 38125
 www.tnb.com

T&B Technical Support
 MS 3B-50
 8155 T&B Blvd.
 Memphis, TN 38125

Hours: 7AM - 6PM CDT
 Monday-Friday
 Phone: (888) 862-3289
 Fax: (901) 252-1321
 Email:techsupport@tnb.com